

See Sheet 1-A For Index of Sheets

STATE OF NORTH CAROLINA
DIVISION OF HIGHWAYS

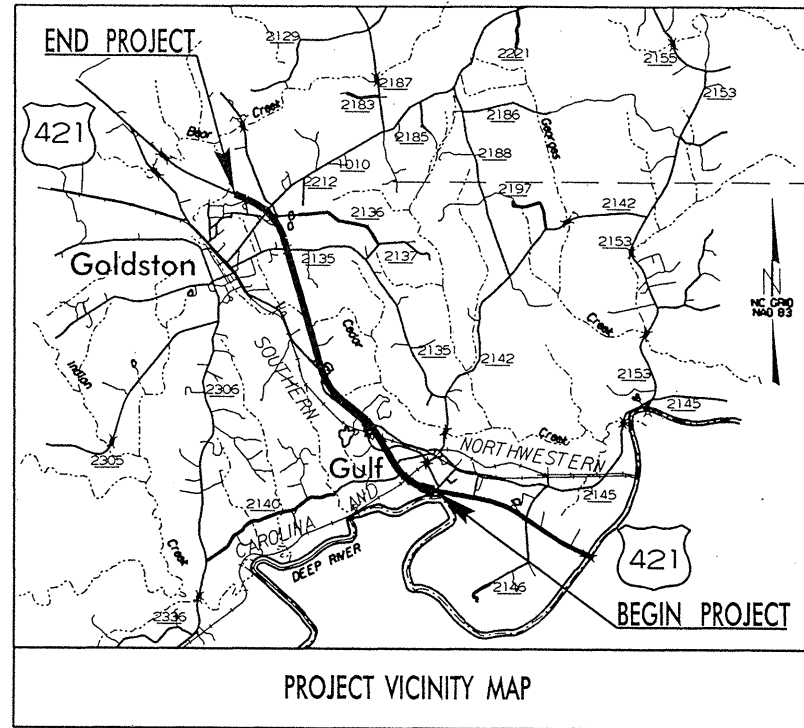
STATE	STATE PROJECT REFERENCE NO.	SHEET NO.	TOTAL SHEETS
N.C.	R-2610A	3	40
STATE PROJ. NO.	F.A. PROJ. NO.	DESCRIPTION	
6.529005T			

ALL DIMENSIONS IN THESE PLANS ARE IN METERS AND/OR MILLIMETERS UNLESS OTHERWISE SHOWN

CHATHAM

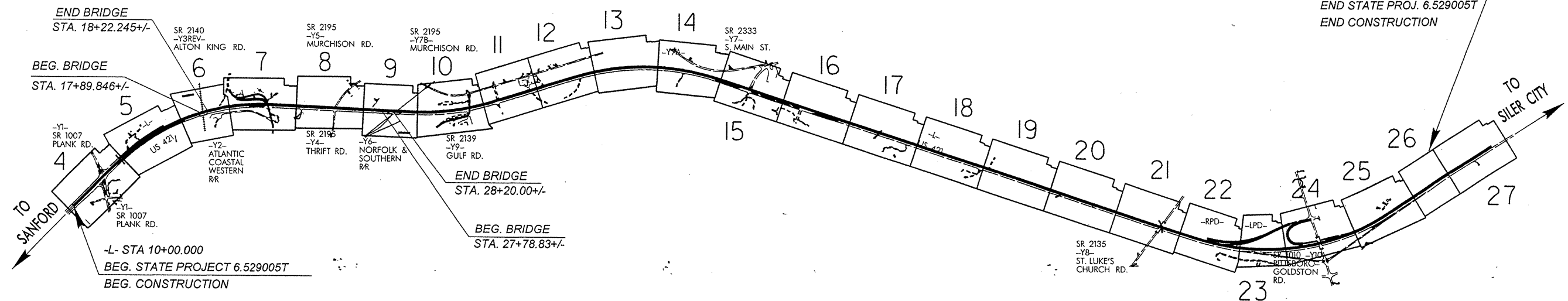
LOCATION: US 421 FROM 4 LANES APPROX. 200M SOUTH OF SR 1007 AT GULF TO APPROX. 930M NORTH OF SR 1010

TYPE OF WORK: GRADING, DRAINAGE, PAVING, GUARDRAIL, CULVERT EXTENSIONS, AND STRUCTURES



R-2610A

6.529005T

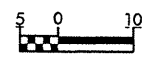


THIS IS A CONTROLLED-ACCESS PROJECT IN THE VICINITY OF THE INTERCHANGE AT SR 1010 AND THE REMAINDER OF THE PROJECT IS A PARTIAL CONTROLLED-ACCESS PROJECT WITH ACCESS BEING LIMITED TO POINTS ORIGINALLY IDENTIFIED AND PRESENTLY SHOWN AS EXISTING BREAKS IN CA

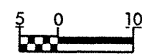
CLEARING AND GRUBBING ON THIS PROJECT SHALL BE TO THE LIMITS ESTABLISHED BY METHOD III

PRELIMINARY PLANS
DO NOT USE FOR CONSTRUCTION
INCOMPLETE PLANS
DO NOT USE FOR R/W ACQUISITION

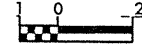
GRAPHIC SCALES



PLANS



PROFILE (HORIZONTAL)



PROFILE (VERTICAL)

DESIGN DATA

ADT 2003 = 11,138 -12,221
ADT 2023 = 18,103-20,566
DHV = 10 %
D = 60 %
T = 17 % *
V = 100 km/h
* TTST 13% DUAL 4 %

PROJECT LENGTH

LENGTH ROADWAY PROJECT = 7.426 KM
LENGTH STRUCTURE PROJECT = 0.074 KM
TOTAL LENGTH OF STATE PROJECT 6.529005T = 7.500 KM

Prepared in the Office of:
DIVISION OF HIGHWAYS
1000 Birch Ridge Dr., Raleigh, NC 27610

1995 STANDARD SPECIFICATIONS

RIGHT OF WAY DATE:
MAY 18, 2001

LETTING DATE:
OCTOBER 21, 2003

S. R. FLOWERS

R. A. SHILLINGLAW, PE