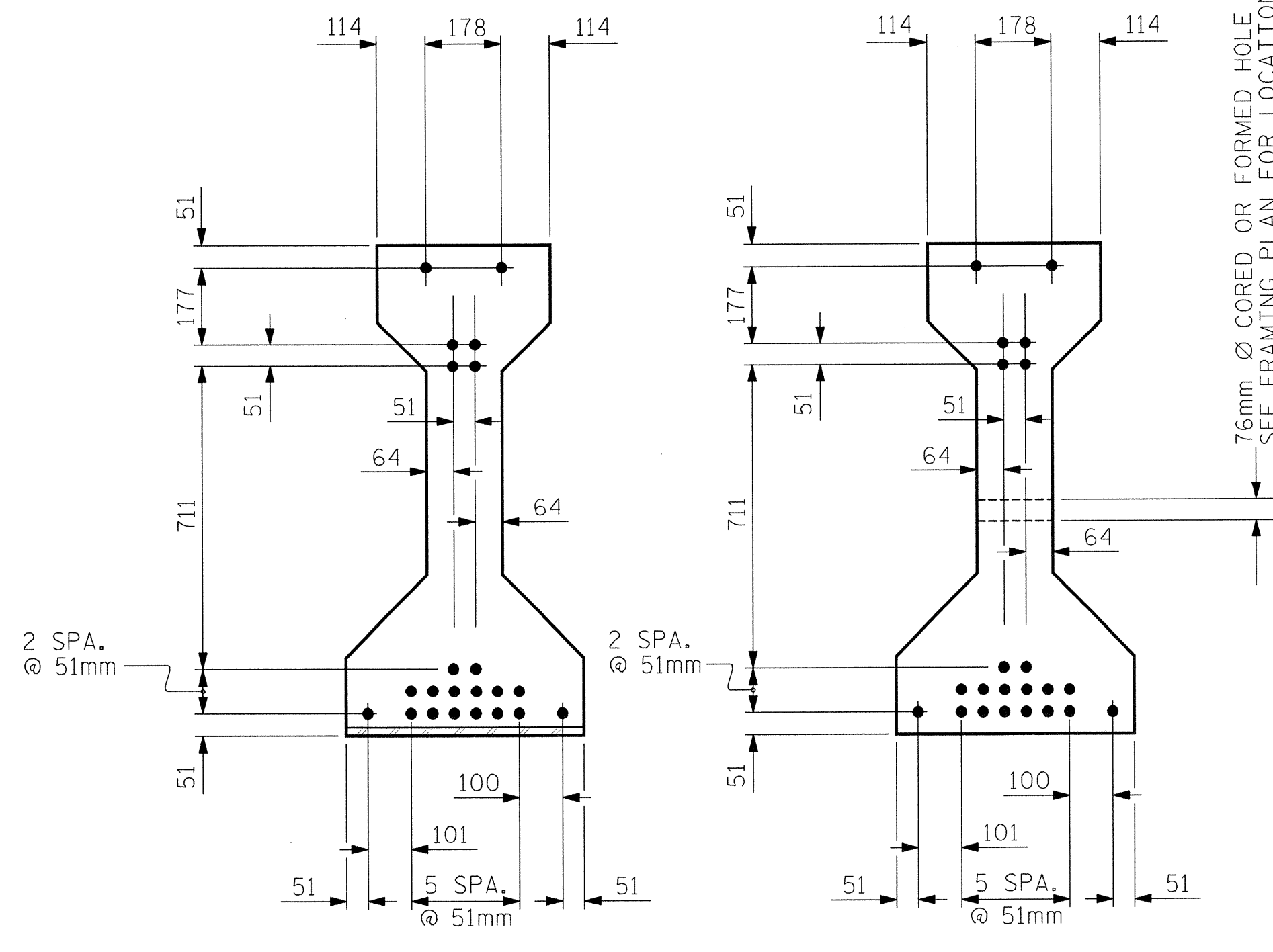


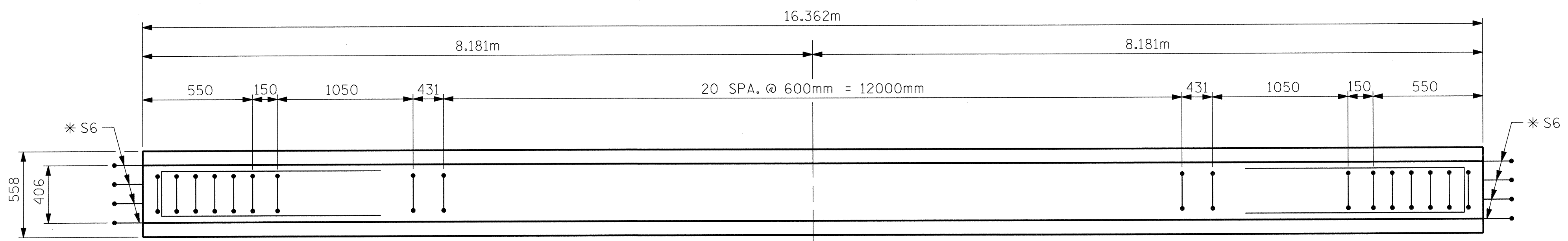
SECTION B-B



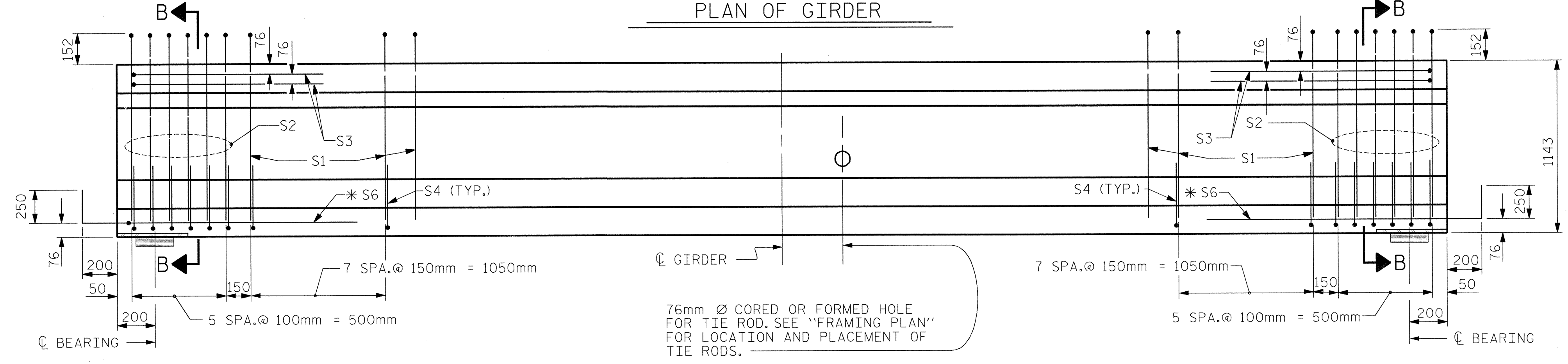
AT END OF GIRDER AT C OF GIRDER

12.70mm Ø LOW RELAXATION STRAND LAYOUT

76mm Ø CORED OR FORMED HOLE
 SEE FRAMING PLAN FOR LOCATION



PLAN OF GIRDER



ELEVATION OF GIRDER

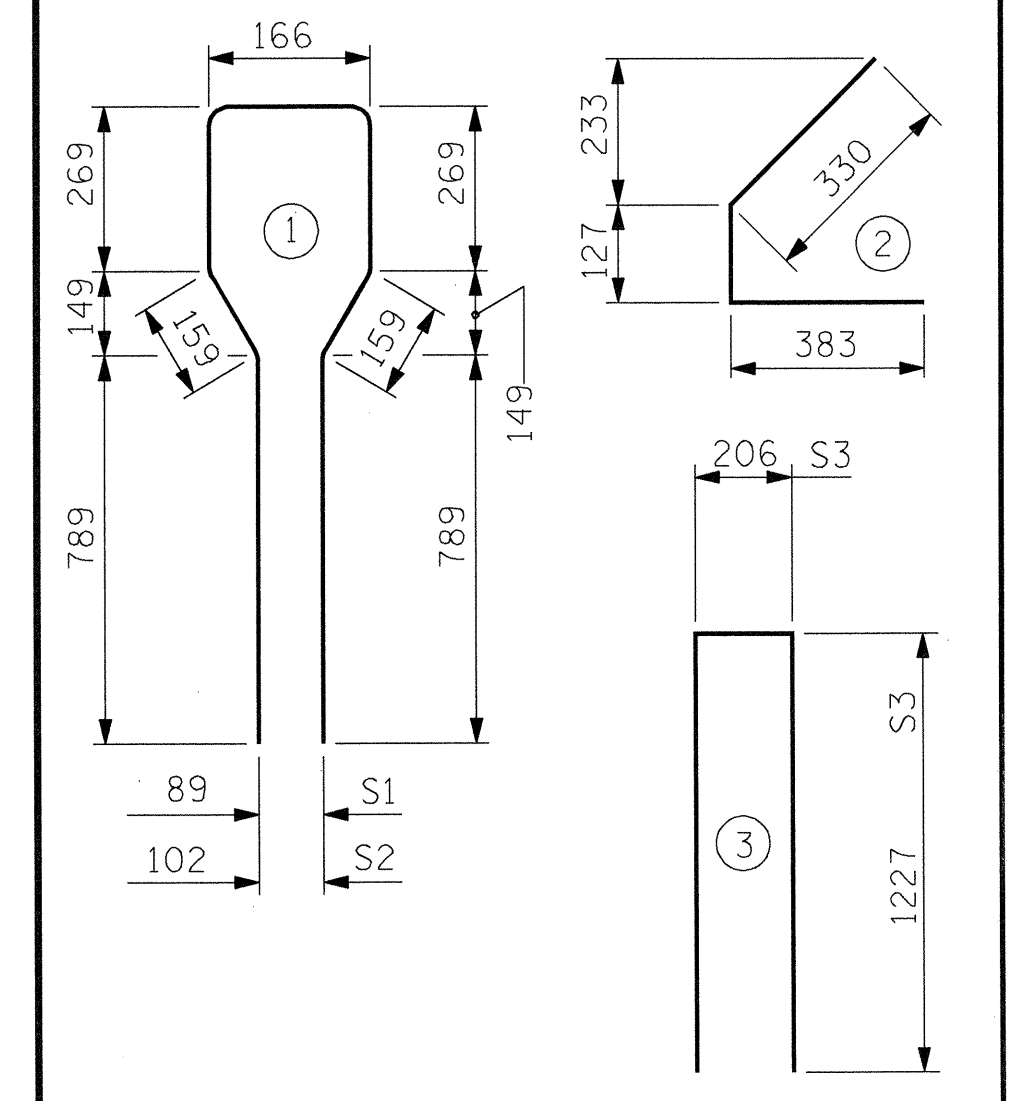
THERE IS ONLY ONE CORED OR FORMED HOLE IN GIRDERS B1, B2 B4 AND B5, GIRDER B3 REQUIRES TWO CORED OR FORMED HOLES.
 SEE "FRAMING PLAN" FOR LOCATION AND PLACEMENT.

12.70mm Ø L. R. GRADE 270 STRANDS		
AREA (mm ²)	ULTIMATE STRENGTH (kN PER STRAND)	APPLIED PRESTRESS (kN PER STRAND)
98.71	183.7	137.8

REINFORCING STEEL FOR ONE GIRDER					
BAR	NUMBER	SIZE	TYPE	LENGTH	WEIGHT
S1	37	#13	1	2600	96
S2	12	#19	1	2600	70
S3	4	#13	3	2660	11
S4	56	#13	2	840	47
*S6	8	#16	STR	1120	14

* NOTE: S6 BARS SHALL BE BENT BEFORE SHIPMENT. HEAT BENDING SHALL NOT BE ALLOWED.

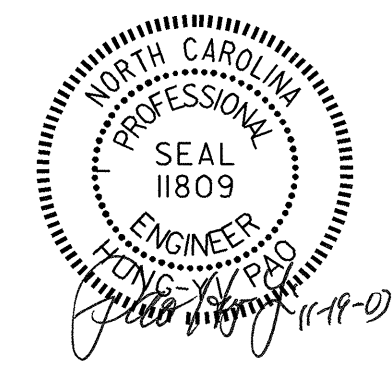
BAR TYPES					
ALL BAR DIMENSIONS ARE OUT-TO-OUT					



QUANTITIES FOR ONE GIRDER			
	REINFORCING STEEL	34.5 MPa CONCRETE	12.70mm Ø L.R. STRANDS
	kg	m ³	No.
SPAN B	238	5.9	22

GIRDERS REQUIRED		
NUMBER	LENGTH	TOTAL LENGTH
5	16.362m	81.810m

PROJECT NO. R-2610A
 CHATHAM COUNTY
 STATION: 18+04.666 -L-



STATE OF NORTH CAROLINA
 DEPARTMENT OF TRANSPORTATION
 RALEIGH
 SUPERSTRUCTURE
 AASHTO TYPE III
 PRESTRESSED CONCRETE GIRDER
 CONTINUOUS FOR LIVE LOAD
 SPAN B
 (LEFT LANE BRIDGE)

REVISIONS						SHEET NO.	
NO.	BY:	DATE:	NO.	BY:	DATE:	TOTAL SHEETS	
1			3			5-12	
2			4			82	

Stantec
 Stantec Consulting Services Inc.
 Suite 300, 801 Jones Franklin Road
 Raleigh, NC 27606
 Tel. 919.851.6866
 Fax. 919.851.7024
 www.stantec.com

ASSEMBLED BY : M. J. OSTRISHKO	DATE : 7-10-03
CHECKED BY : H. PAO	DATE : 9-19-03
DRAWN BY : ELR 8/91	REV. 5/16/97 EEM/RGW
CHECKED BY : GRP 8/91	REV. 7/17/98 RWW/LES
	REV. 10/17/00 RWW/LES