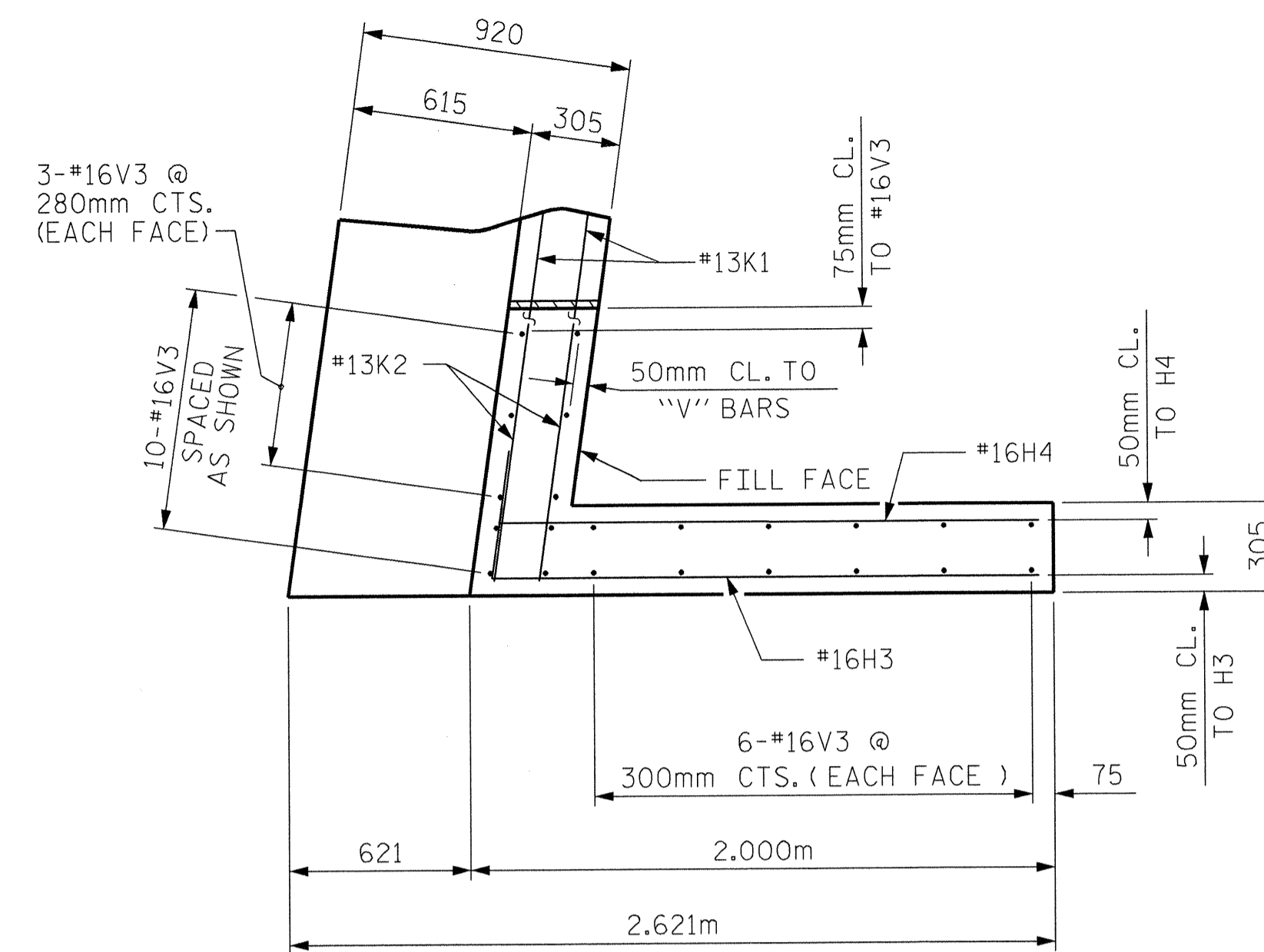
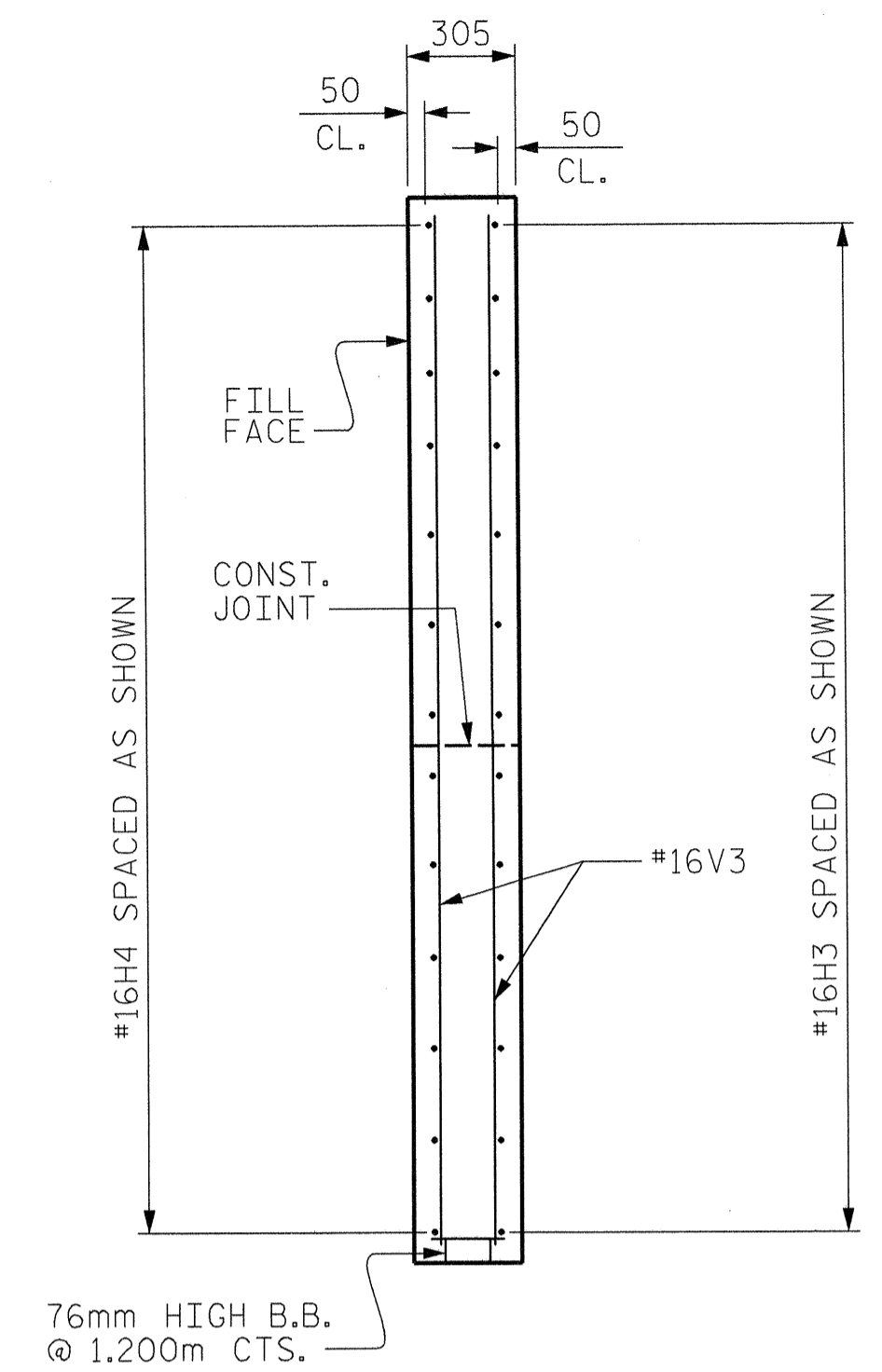


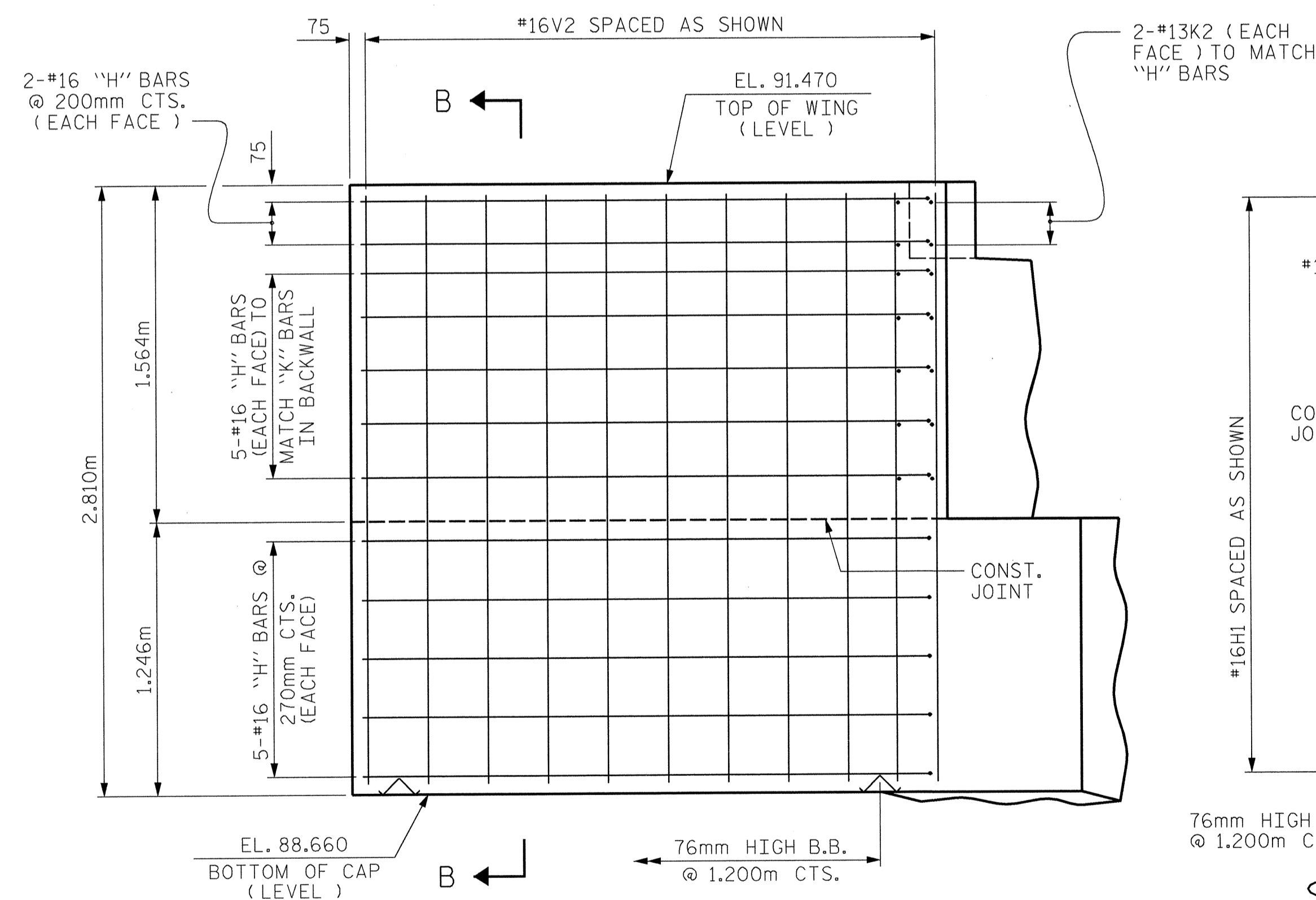
PLAN OF LEFT WING - W1



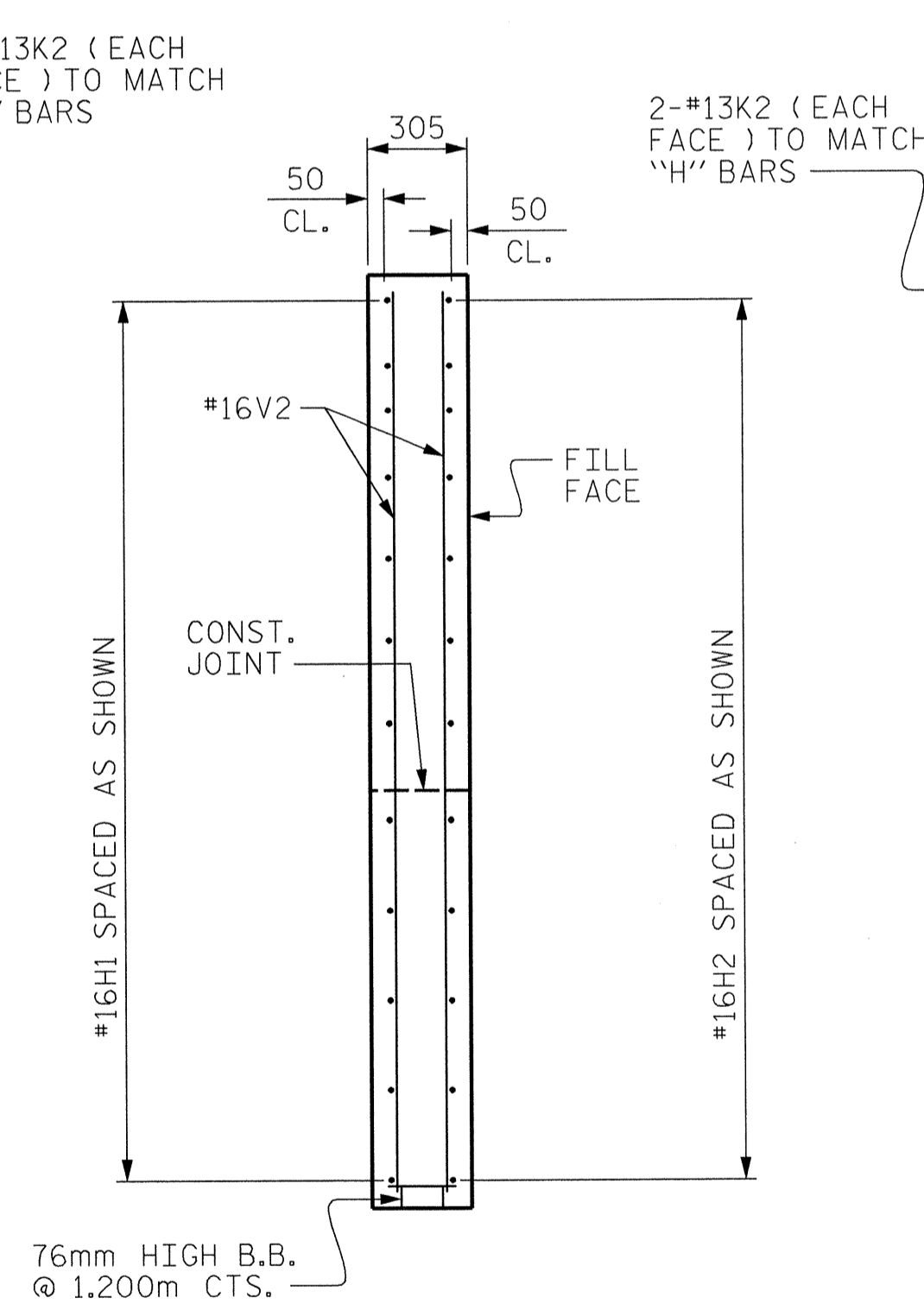
PLAN OF RIGHT WING - W2



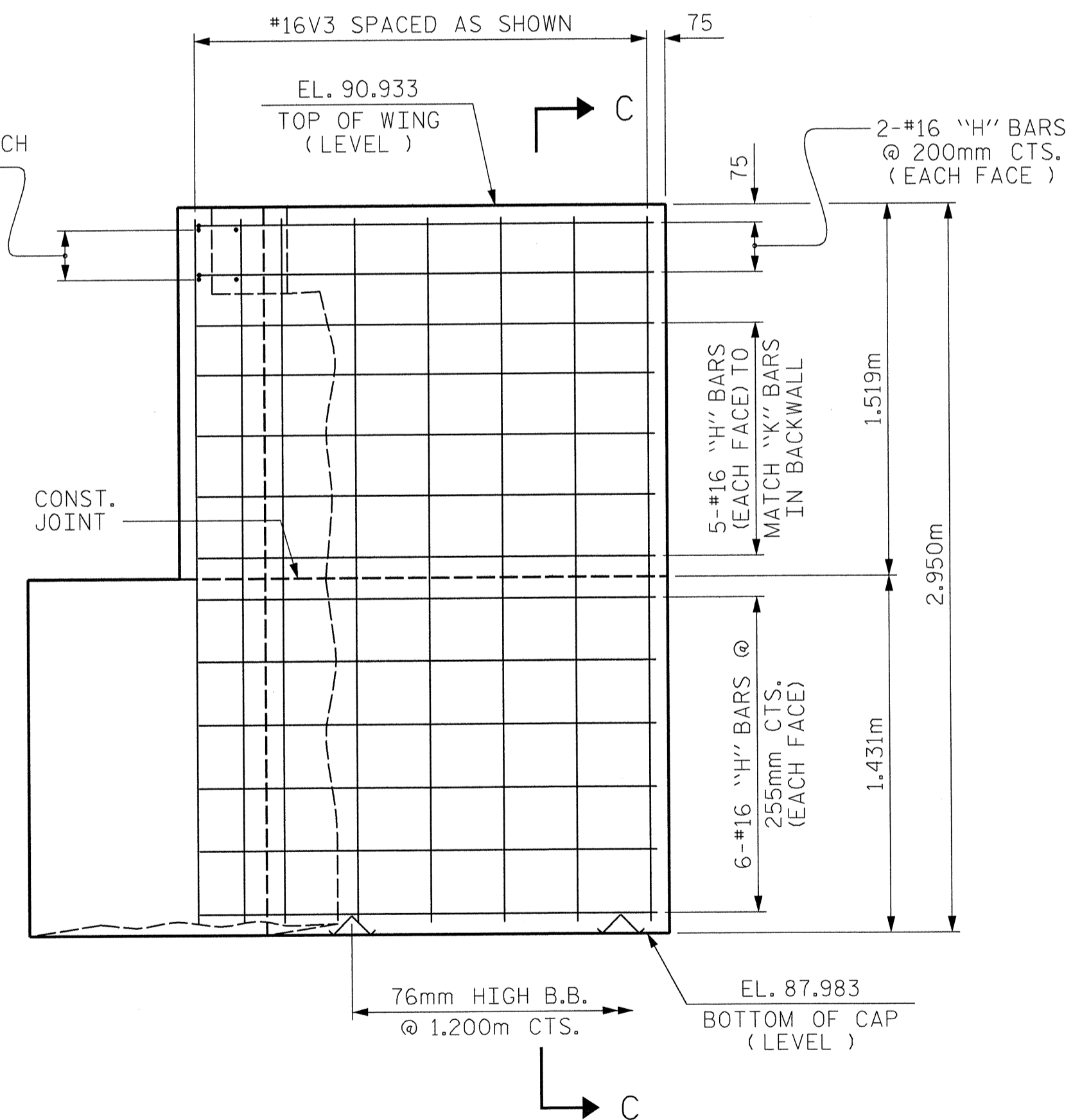
SECTION C-C



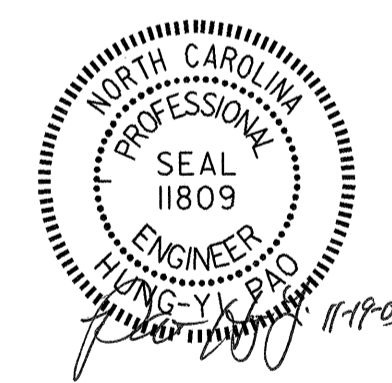
ELEVATION OF LEFT WING - W1



SECTION B-B



ELEVATION OF RIGHT WING - W2



PROJECT NO. R-2610A
 CHATHAM COUNTY
 STATION: 18+04.666 -L-

SHEET 2 OF 3

STATE OF NORTH CAROLINA
 DEPARTMENT OF TRANSPORTATION
 RALEIGH
 SUBSTRUCTURE
 END BENT 2
 (LEFT LANE BRIDGE)

REVISIONS				SHEET NO.
NO.	BY:	DATE:	NO.	DATE:
1			3	
2			4	

TOTAL SHEETS: 82

Stantec Consulting Services Inc.
 Suite 300, 801 Jones Franklin Road
 Raleigh, NC 27606
 Tel: 919.851.6866
 Fax: 919.851.7024
 www.stantec.com

DRAWN BY: M. J. OSTRISHKO DATE: 10-3-03
 CHECKED BY: H. PAO DATE: 10-10-03