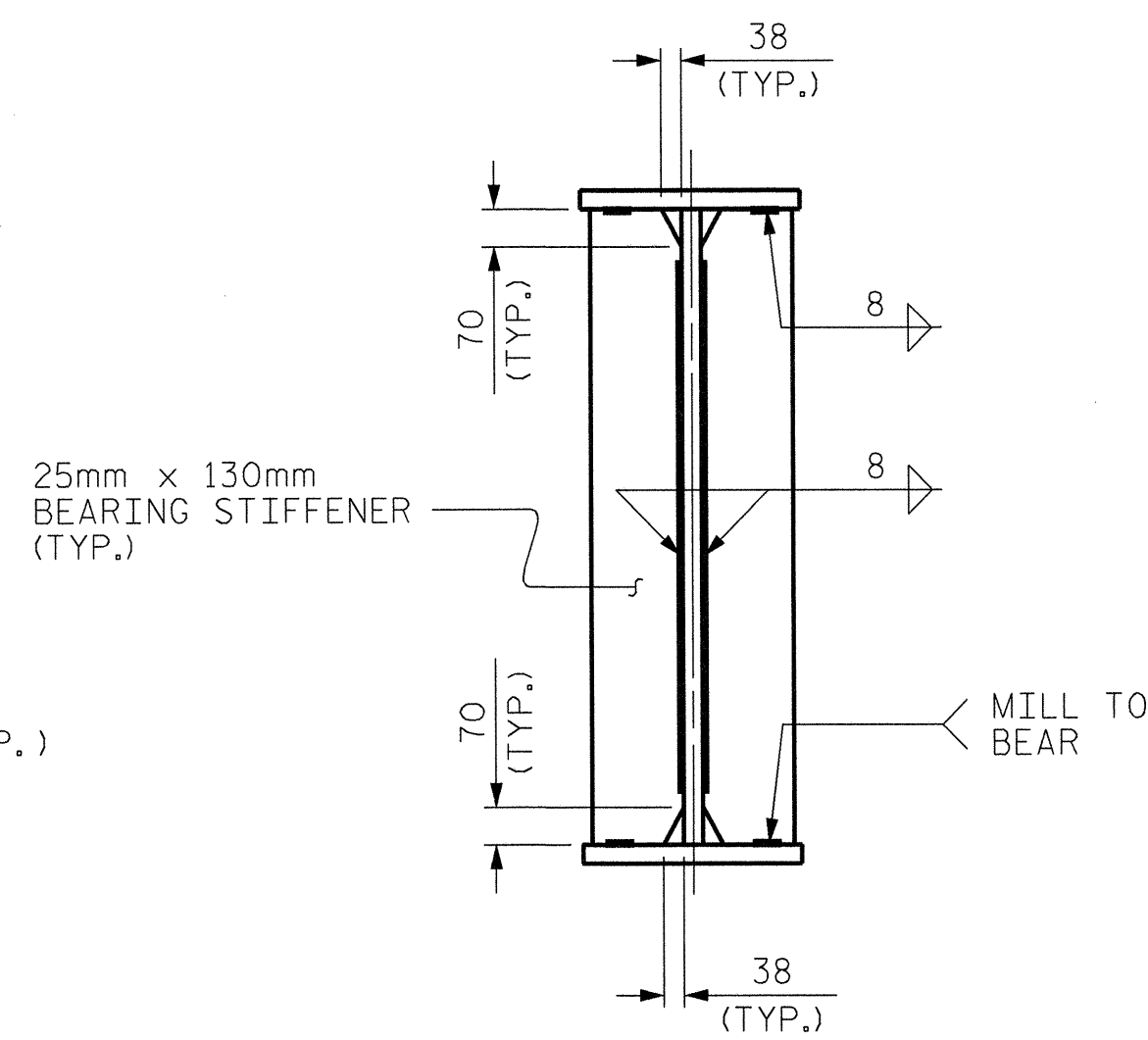


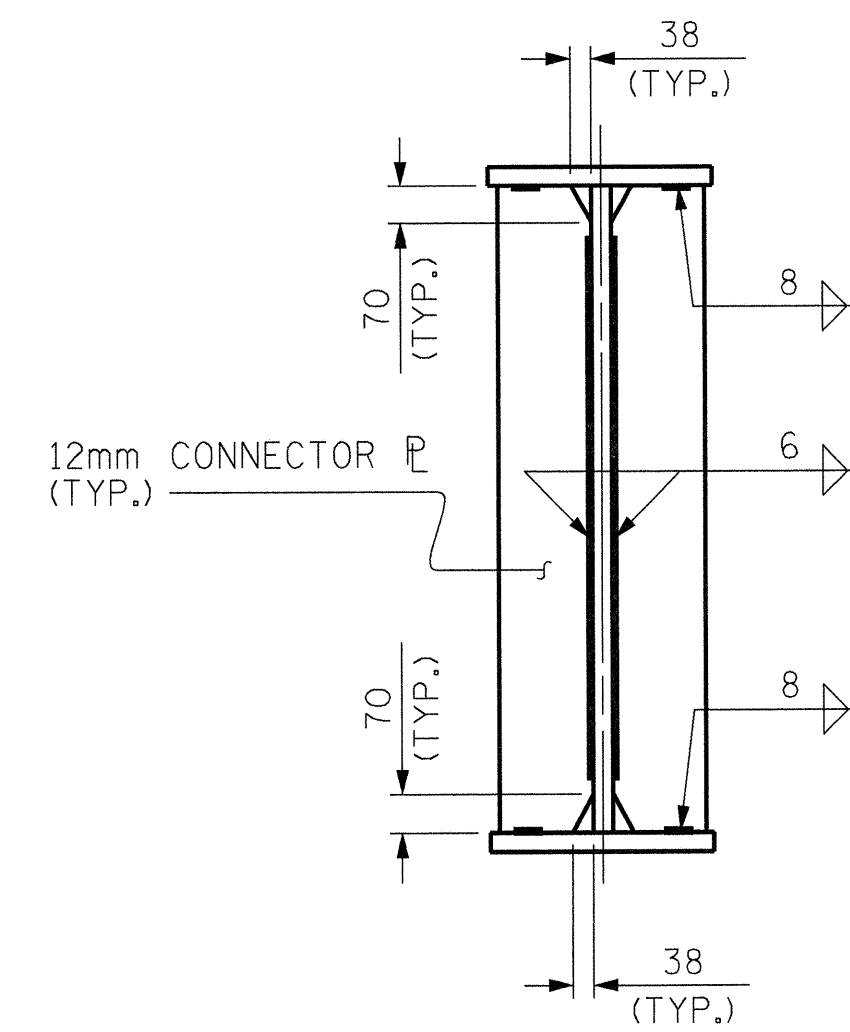
BEARING STIFFENER

TYPICAL GIRDERS A1 THRU A4
 AND GIRDERS C1 THRU C4



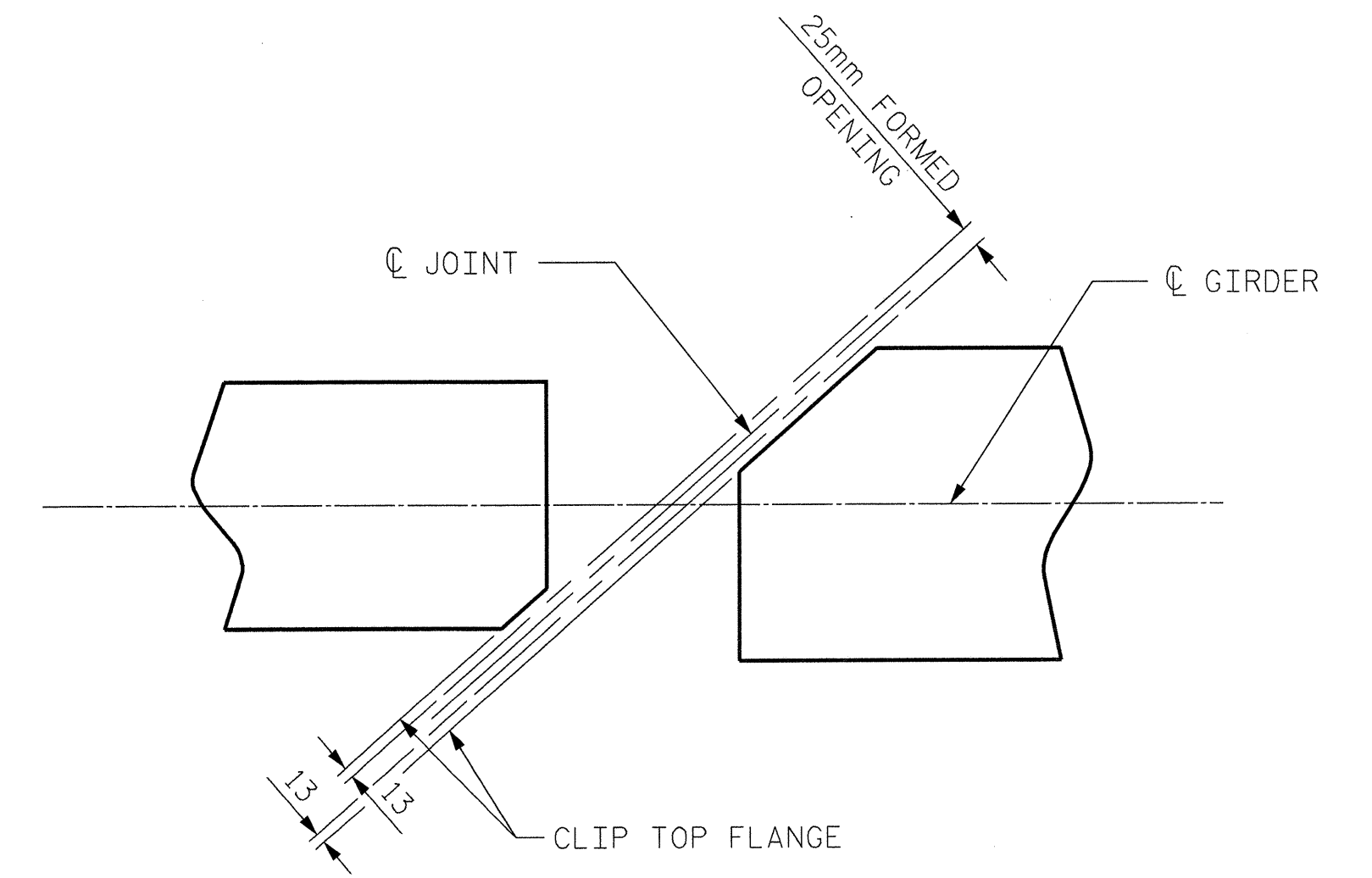
BEARING STIFFENER

TYPICAL GIRDERS B1 THRU B4

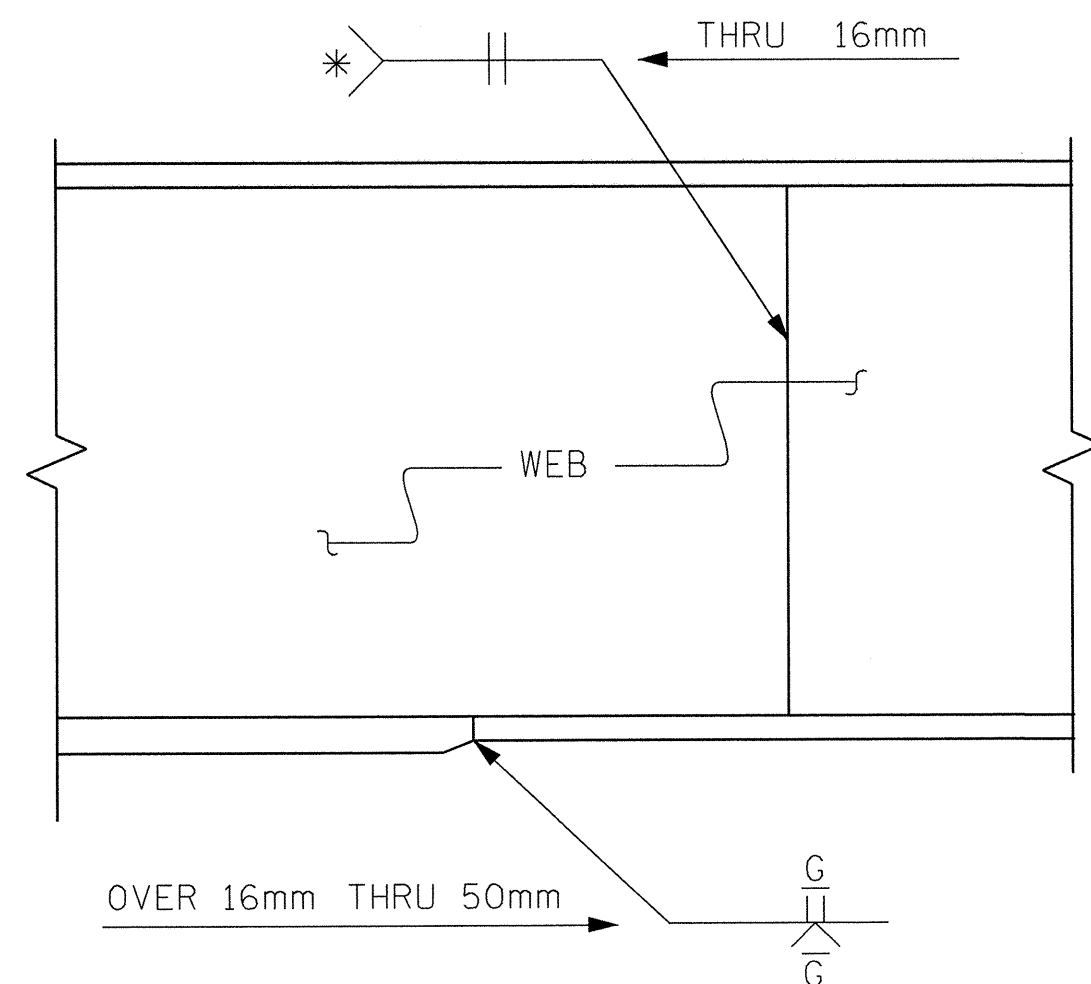


**INTERMEDIATE
 CONNECTOR PLATE**

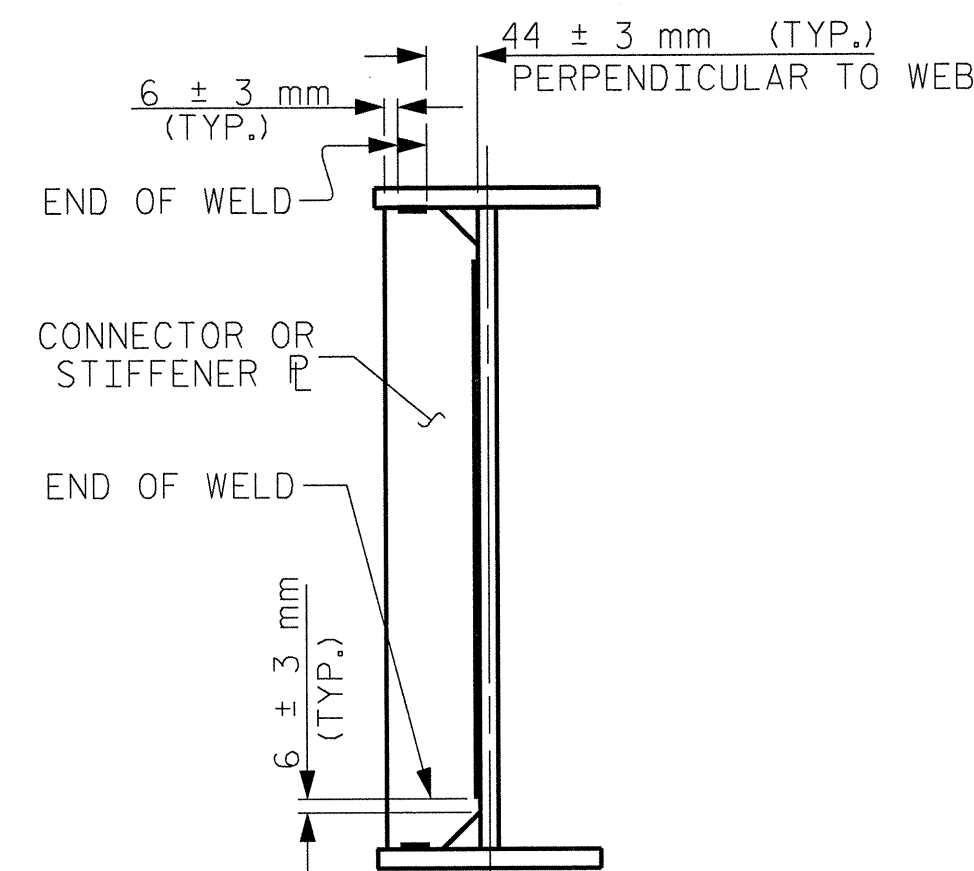
OMIT CONNECTOR PLATES ON OUTSIDE OF EXTERIOR GIRDERS



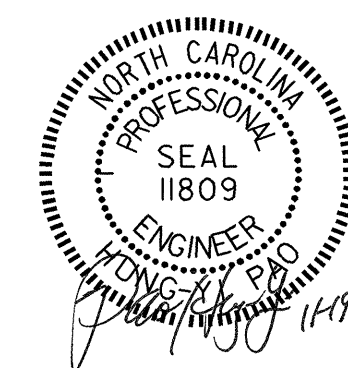
TOP FLANGE CLIP DETAIL



**ELEVATION
 TYPICAL FLANGE AND WEB BUTT JOINT**



**TYPICAL STIFFENER OR
 CONNECTOR PLATE CONNECTIONS
 WELD TERMINATION DETAILS**



PROJECT NO. R-2610A
CHATHAM COUNTY
 STATION: 27+85.488 -L-

SHEET 5 OF 6

STATE OF NORTH CAROLINA
 DEPARTMENT OF TRANSPORTATION
 RALEIGH

SUPERSTRUCTURE
STRUCTURAL STEEL
DETAILS
 (LEFT LANE BRIDGE)

REVISIONS						SHEET NO.
NO.	BY:	DATE:	NO.	BY:	DATE:	TOTAL SHEETS
1			3			82
2			4			

Stantec
 Stantec Consulting Services Inc.
 Suite 300, 801 Jones Franklin Road
 Raleigh, NC 27606
 Tel. 919.851.6866
 Fax. 919.851.7024
 www.stantec.com

DRAWN BY: M. J. OSTRISHKO DATE: 5-8-03
 CHECKED BY: H. PAO DATE: 6-23-03