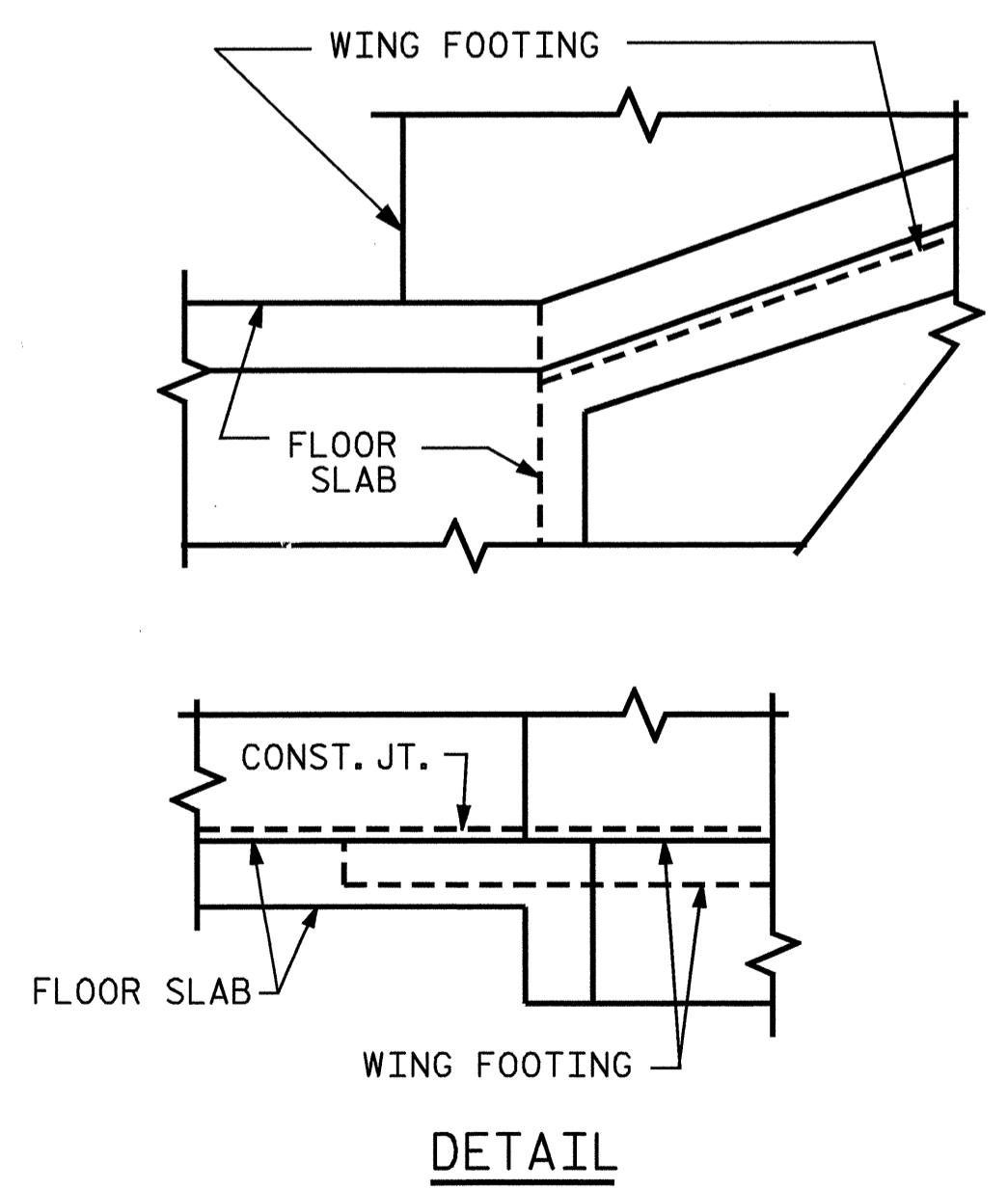
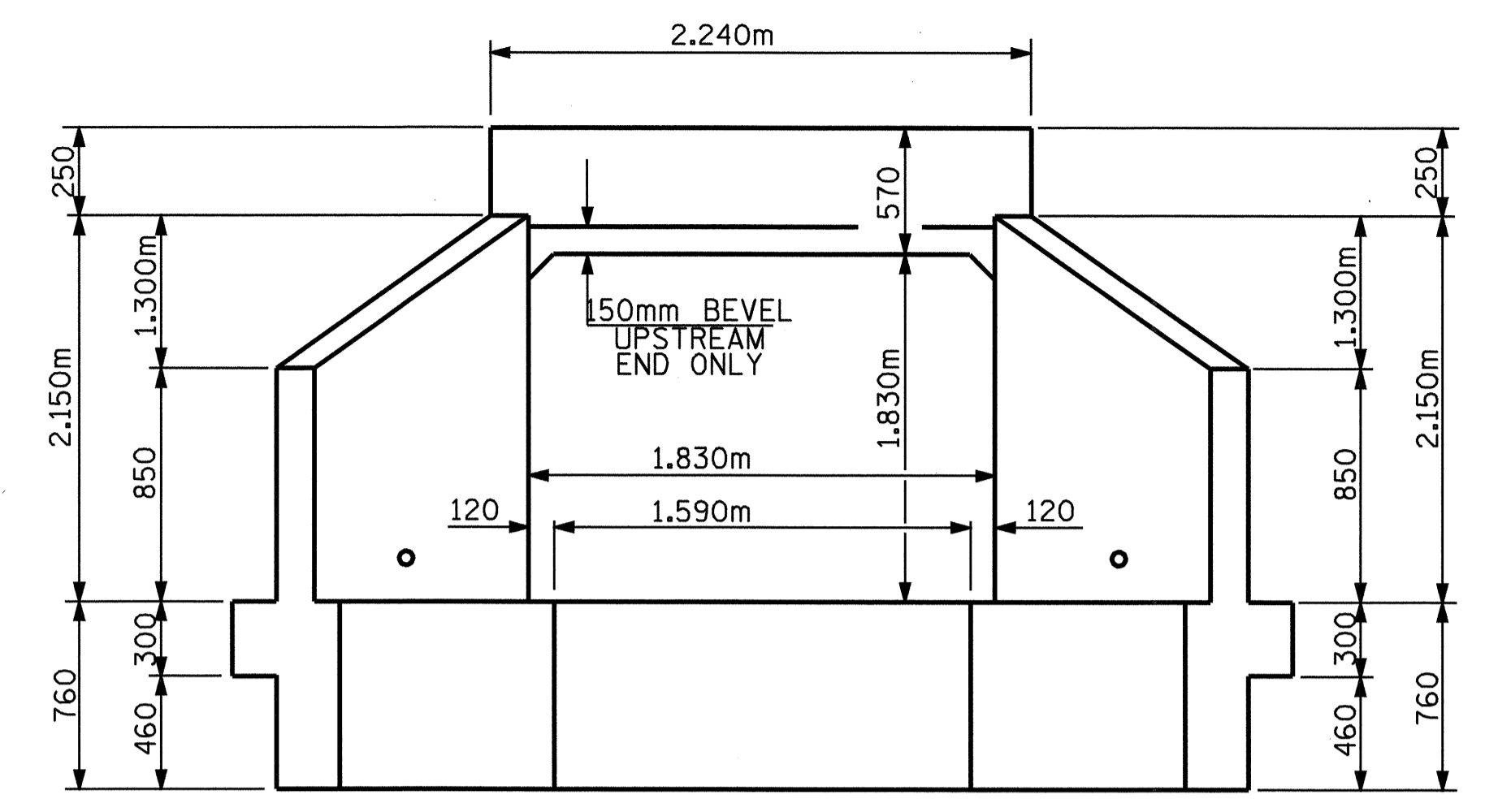


RIGHT ANGLE SECTION OF BARREL
 THERE ARE 38 "C" BARS IN SECTION OF BARREL.
 (TYPICAL LEFT AND RIGHT EXTENSIONS)

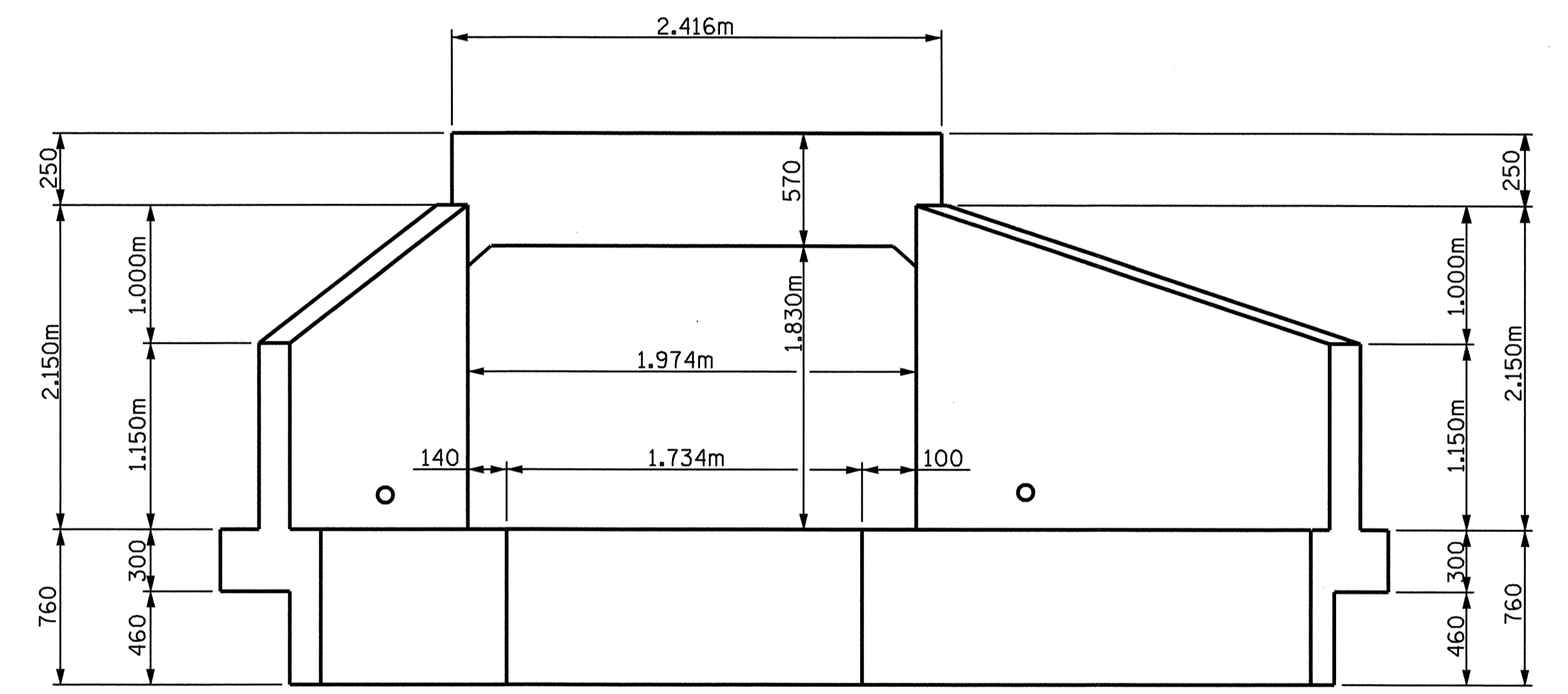


**CONNECTION OF WING FOOTING
 AND FLOOR SLAB WHEN SLAB
 IS THICKER THAN FOOTING**

ASSEMBLED BY : J. LAMBERT	DATE : 9/03
CHECKED BY : S. PEARCE	DATE : 11/03
DRAWN BY : EEM 6/97	
CHECKED BY : ARB 7/97	



INLET ELEVATION NORMAL TO SKEW
 90° SKEW



OUTLET ELEVATION NORMAL TO SKEW
 68° SKEW

PROJECT NO. R-2610A
CHATHAM COUNTY
 STATION: 13+28.500 -L-

SHEET 4 OF 6

STATE OF NORTH CAROLINA DEPARTMENT OF TRANSPORTATION RALEIGH					
SINGLE BARREL 1.830m X 1.830m CONCRETE BOX CULVERT EXTENSION					
REVISIONS					
NO.	BY:	DATE:	NO.	BY:	DATE:
1			3		
2			4		
					SHEET NO. C-4
					TOTAL SHEETS 18

