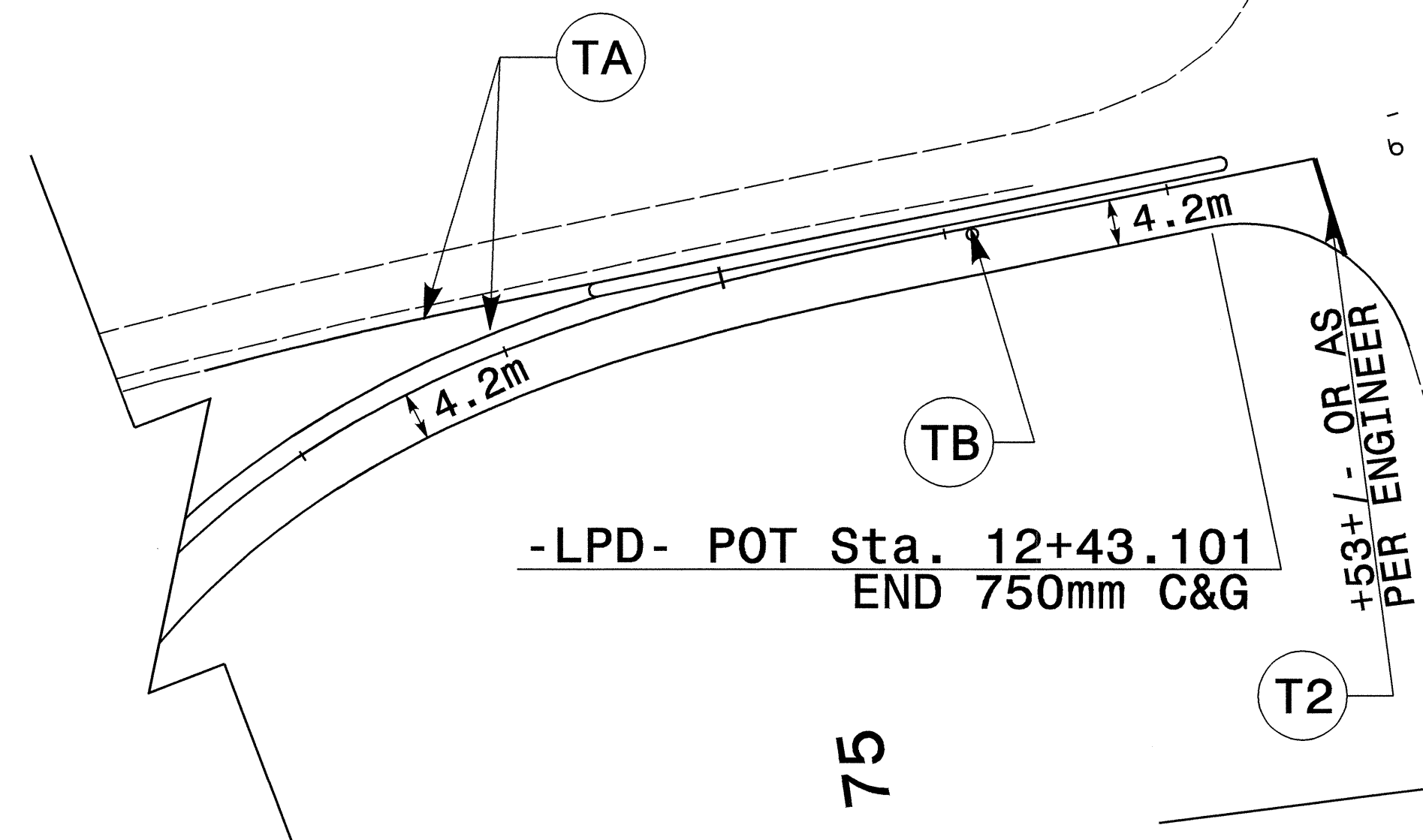




PROJ. REFERENCE NO.	SHEET NO.
R-2610A	PM-8

SR 1010  
PITTSBORO-GOLDSTON RD

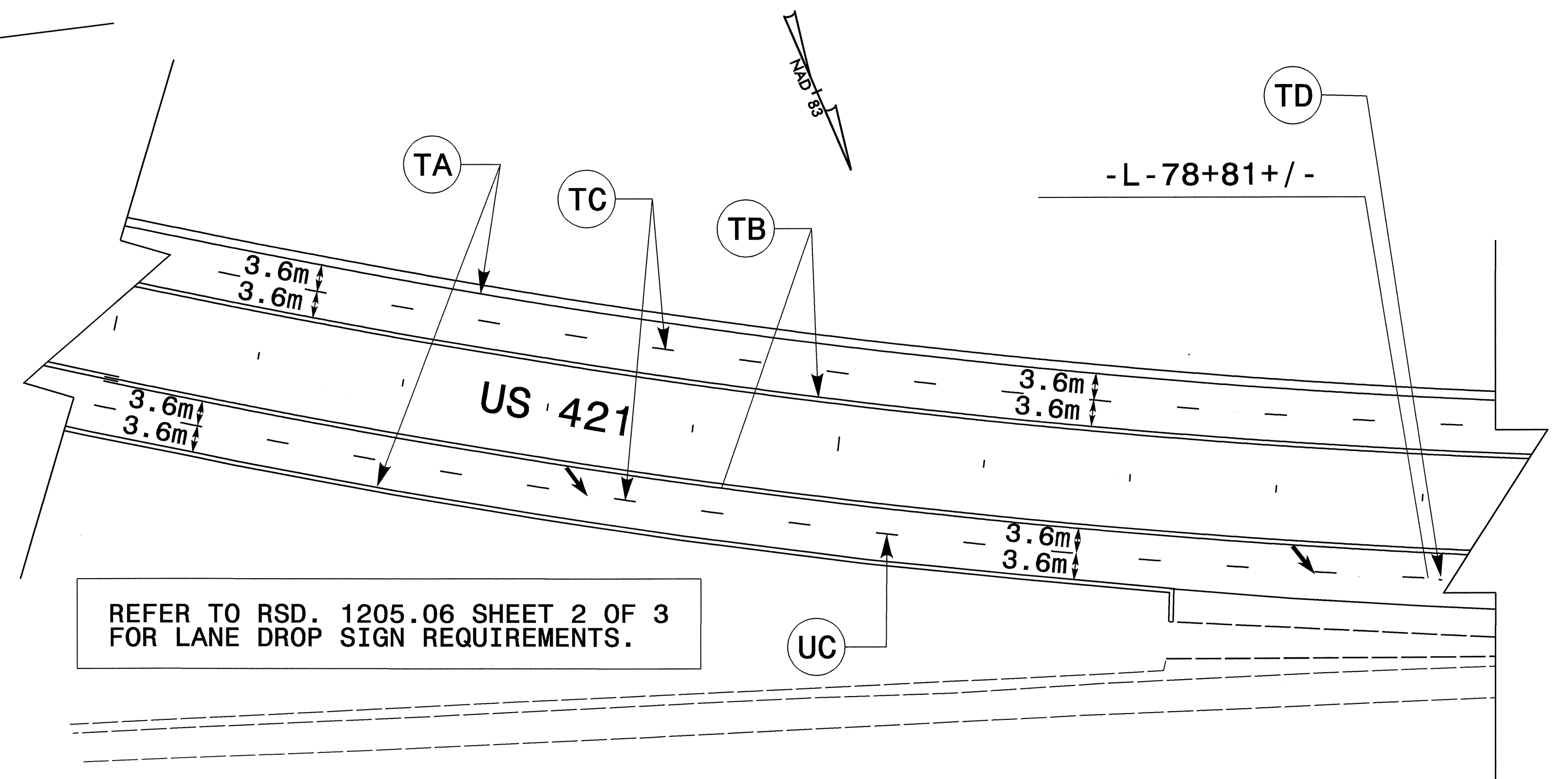
SR 2131  
JS WATERS SCHOOL RD



-Y10-

78

75



REFER TO RSD. 1205.06 SHEET 2 OF 3  
FOR LANE DROP SIGN REQUIREMENTS.

29-OCT-2003 08:14  
 E:\TCP\2610a\_pm.dwg  
 DE:richardson AT TEL:206432

APPROVED: <i>Mitchell J. Hendrie</i>	DATE: 10/20/03	<b>FINAL PAVEMENT MARKING PLAN</b>	
		DATE: 05-03	REVISIONS
DWG. BY: DER			
DESIGN BY:			
REVIEWED BY:			