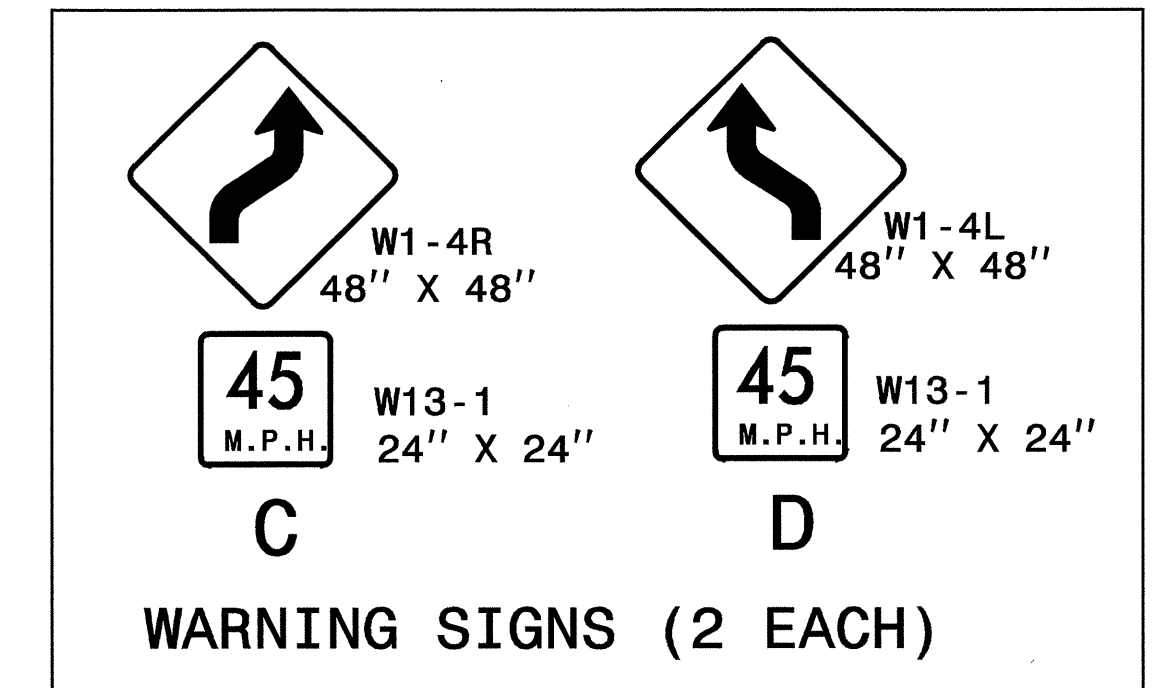
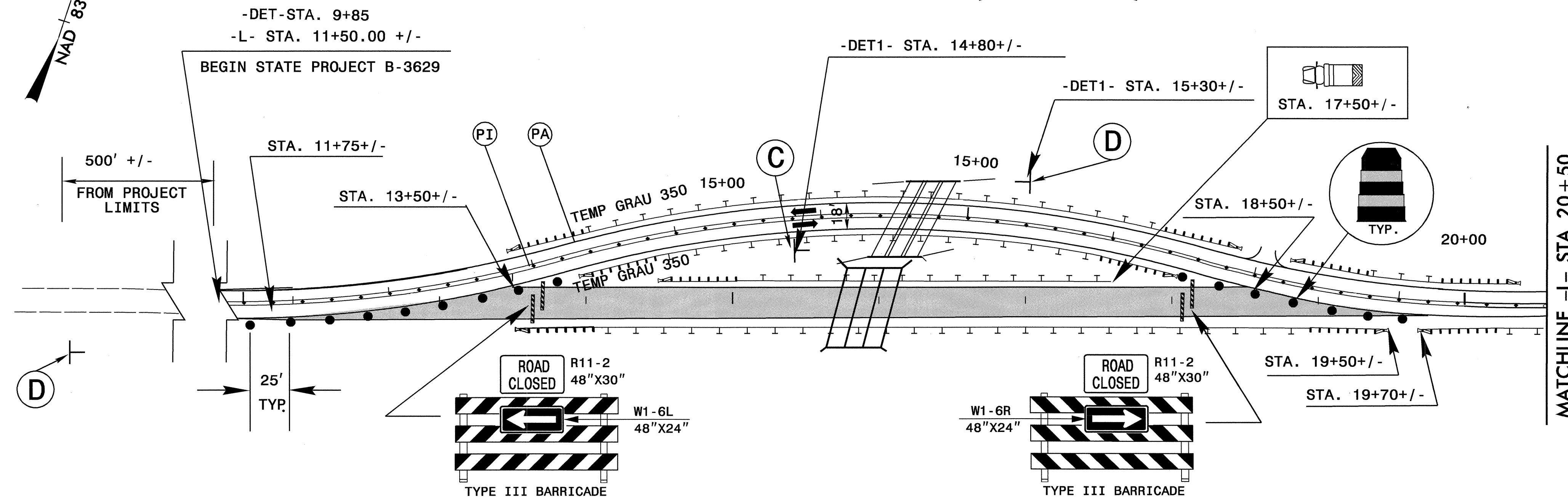
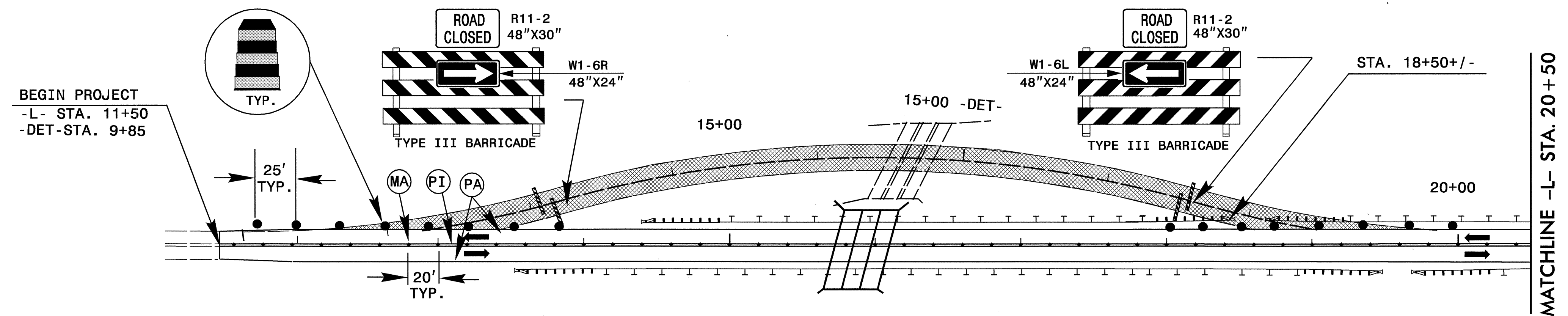


AREA I PHASE II (STEP 1)



AREA I PHASE II (STEPS 2-4)



PHASING (CONT.)

AREA I - PHASE II

STEP 1. USING ROADWAY STANDARD DRAWING 1101.02, SHEET 1 OF 7, ROADWAY STANDARD DRAWING 1165.01, SHEET 1 OF 1, AND LOCAL NOTE 1, AS NEEDED, CONSTRUCT THE PROPOSED CULVERT, PROPOSED GUARDRAIL AND PROPOSED ROADWAY, UP TO BUT NOT INCLUDING THE FINAL LAYER OF SURFACE COURSE, FROM STA. 11+75+/- TO STA. 20+50+/-.

USING ROADWAY STANDARD DRAWINGS 1101.02, SHEET 1 OF 7, AND ROADWAY STANDARD DRAWING 1165.01, SHEET 1 OF 1, COMPLETE STEPS 2 AND 3 AS SHOWN ON TCP-3 AND TCP-4 IN A CONTINUOUS MANNER.

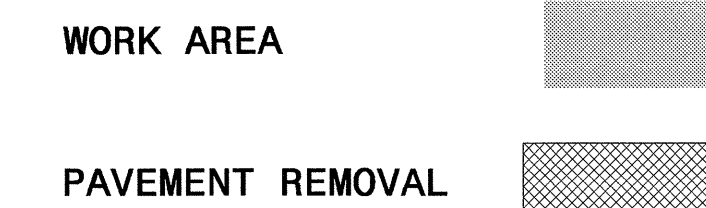
STEP 2. APPLY TEMPORARY PAVEMENT MARKINGS AND SHIFT TRAFFIC TO FINAL ALIGNMENT PATTERN. INSTALL TRAFFIC CONTROL DEVICES AND REMOVE TRAFFIC SHIFT SIGNS.

STEP 3. COMPLETE GUARDRAIL CONSTRUCTION. (SEE LOCAL NOTE 1)

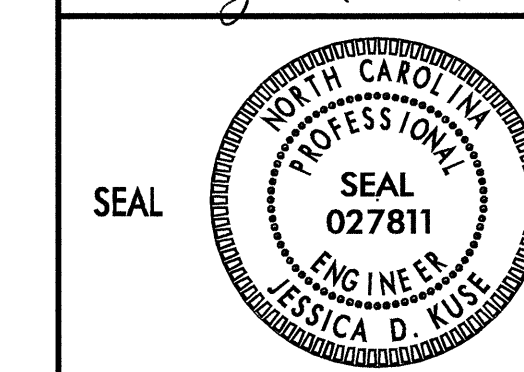
STEP 4. REMOVE DETOUR STRUCTURE, DETOUR ROADWAY, AND TEMPORARY GUARDRAIL.

UPON COMPLETION OF CONSTRUCTION OF AREA I AND AREA II, USING ROADWAY STANDARD DRAWING 1101.02, SHEET 1 OF 7, PLACE FINAL LAYER OF SURFACE COURSE AND PAVEMENT MARKINGS ON PROPOSED -L- FROM STA. 11+50+/- TO STA. 33+00+/- . (SEE PM-1)

LEGEND

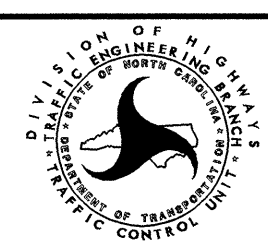


APPROVED: *Jessica Kuse* DATE: 6/14/04



AREA I PHASE II

SCALE: NONE
DATE: 6/14/04
DWG. BY: WRH
DESIGN BY: WRH
REVIEWED BY: JDK



REVISIONS	