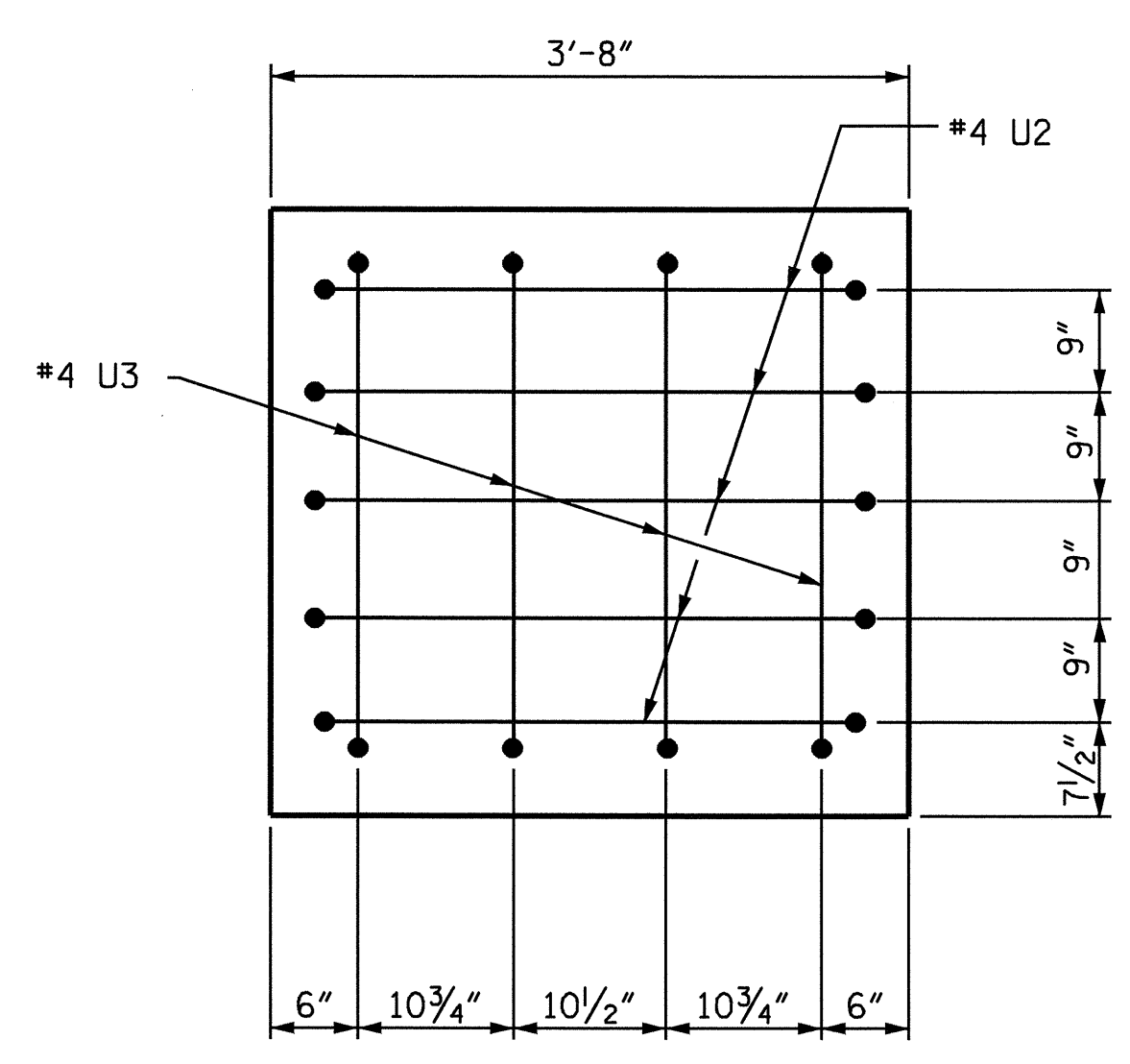
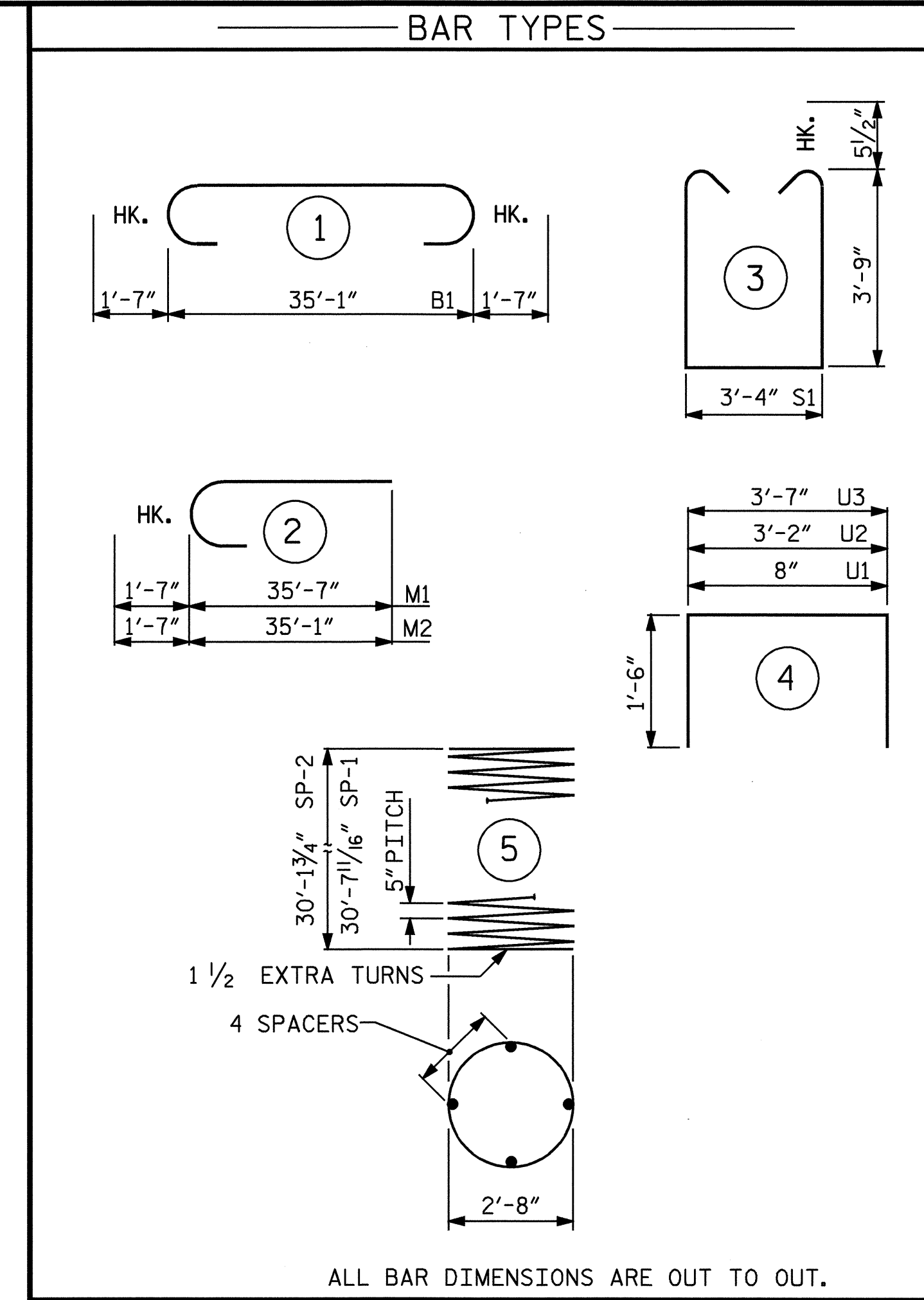


SECTION A-A



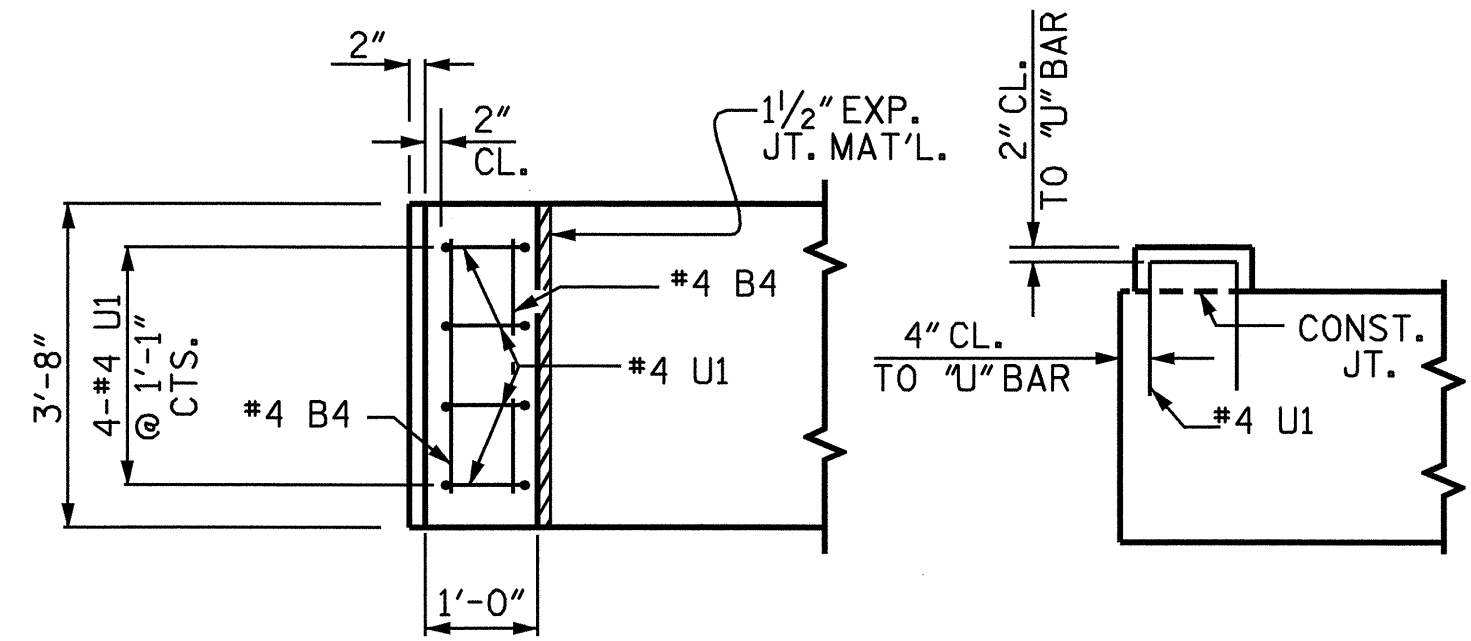
END VIEW X-X



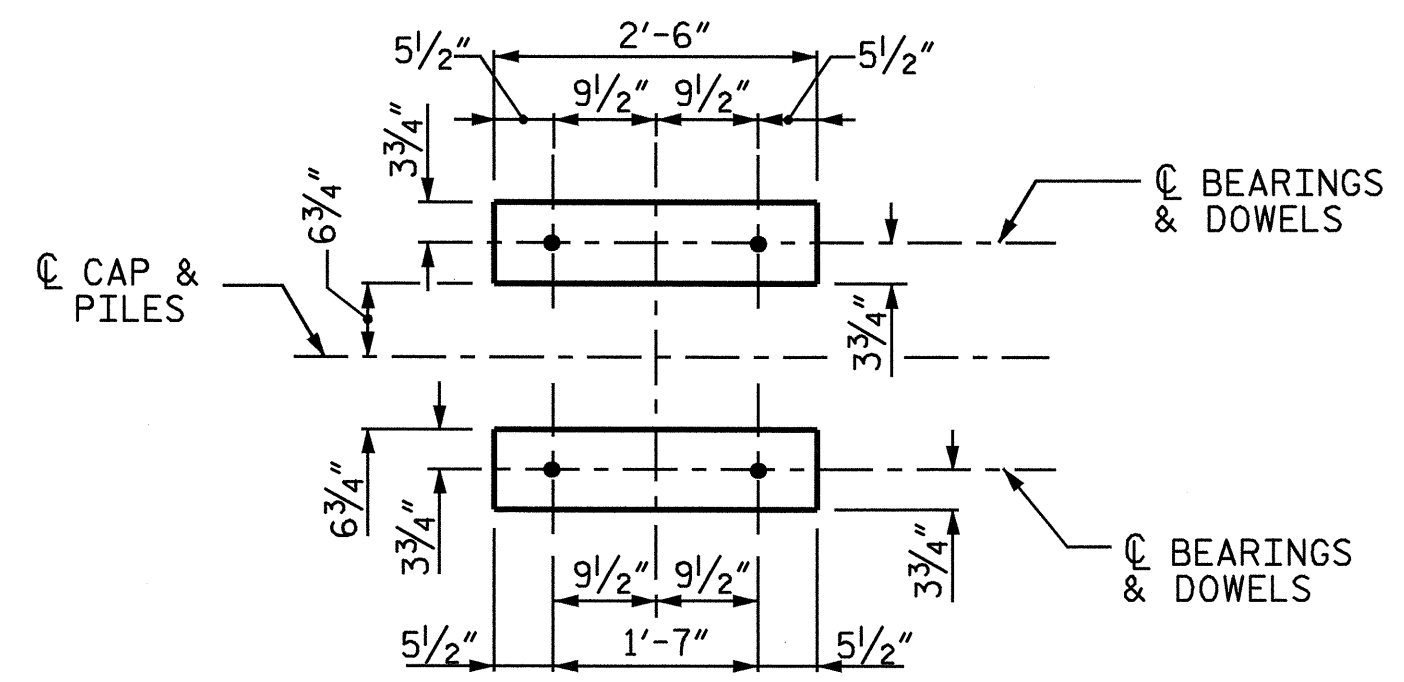
ALL BAR DIMENSIONS ARE OUT TO OUT.

* THE SP-1 SPIRAL REINFORCING STEEL SHALL BE W31 OR D-31 COLD DRAWN WIRE OR #5 PLAIN OR DEFORMED BAR.

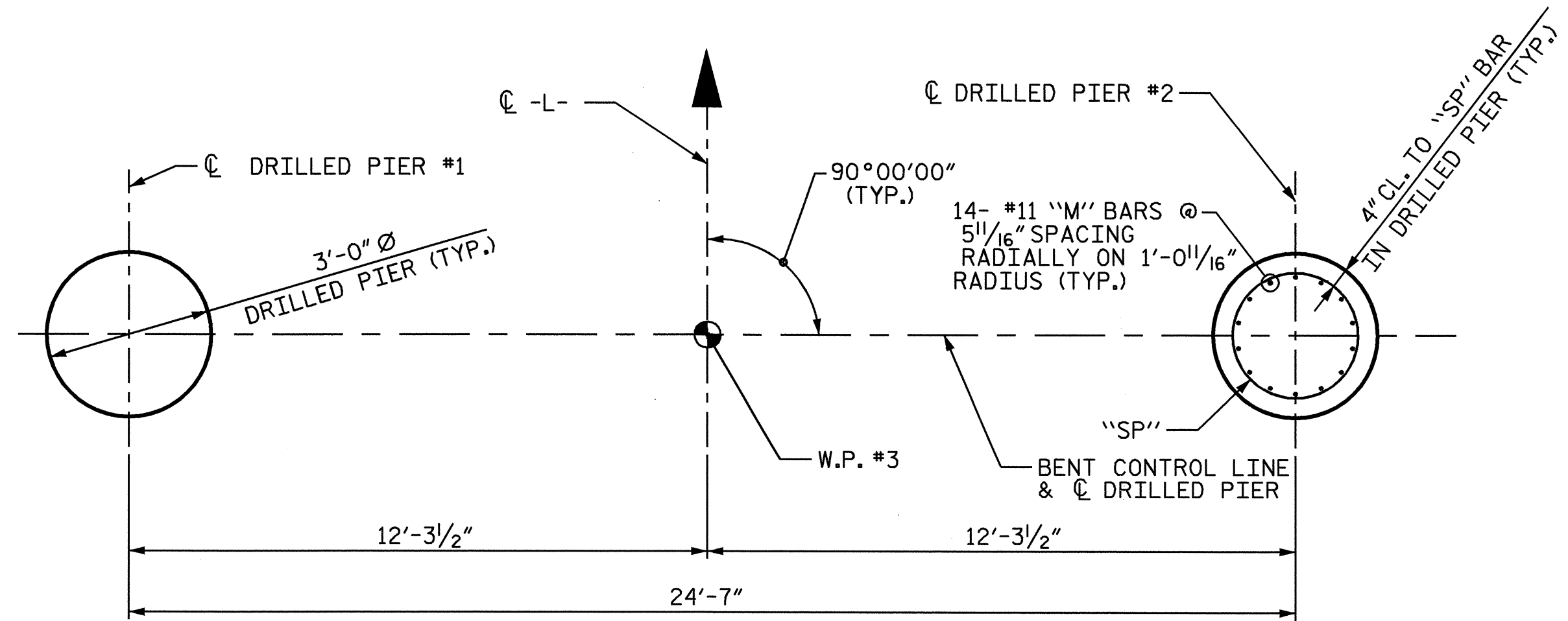
BILL OF MATERIAL						
BENT #2						
BAR	NO	SIZE	TYPE	LENGTH	WEIGHT	
B1	6	11	1	38'-3"	1219	
B2	6	5	STR	35'-3"	221	
B3	6	11	STR	35'-3"	1124	
B4	4	4	STR	3'-4"	9	
D1	44	6	STR	1'-6"	99	
M1	14	11	2	37'-2"	2765	
M2	14	11	2	36'-8"	2727	
S1	30	5	3	11'-9"	368	
U1	8	4	4	3'-8"	20	
U2	10	4	4	6'-2"	41	
U3	8	4	4	6'-7"	36	
REINFORCING STEEL					lbs.	8629
SP-1	1	*	5	510'-11"	533	
SP-2	1	*	5	502'-7"	524	
SPIRAL COLUMN REINFORCING STEEL					lbs.	1057
CLASS A CONCRETE BREAKDOWN						
POUR #2 (CAP)				20.5 C.Y.		
POUR #3 LATERAL GUIDES				0.1 C.Y.		
TOTAL					20.6 C.Y.	
DRILLED PIERS CONCRETE BREAKDOWN						
POUR #1 (DRILLED PIERS)				16.1 C.Y.		
3'-0" Ø DRILLED PIERS (NOT IN SOIL) LINEAR FEET				23.0		
3'-0" Ø DRILLED PIERS (IN SOIL) LINEAR FEET				38.5		
PERMANENT STEEL CASING FOR 3'-0" Ø DRILLED PIERS FEET				33.5		
SID INSPECTION EACH				1		
CSL TUBES LINEAR FEET				265.8		



PLAN ELEVATION
DETAIL A



DETAIL "B"



PLAN OF DRILLED PIERS

DRAWN BY : G. O. COOPER DATE : 3/15/04
CHECKED BY : J. G. KHARVA DATE : 4/21/04



PROJECT NO. B-3629
CASWELL COUNTY
STATION: 26+65.00 -L-
SHEET 2 OF 2

REVISIONS						SHEET NO.
NO.	BY:	DATE:	NO.	BY:	DATE:	S-15
1			3			TOTAL SHEETS 26
2			4			