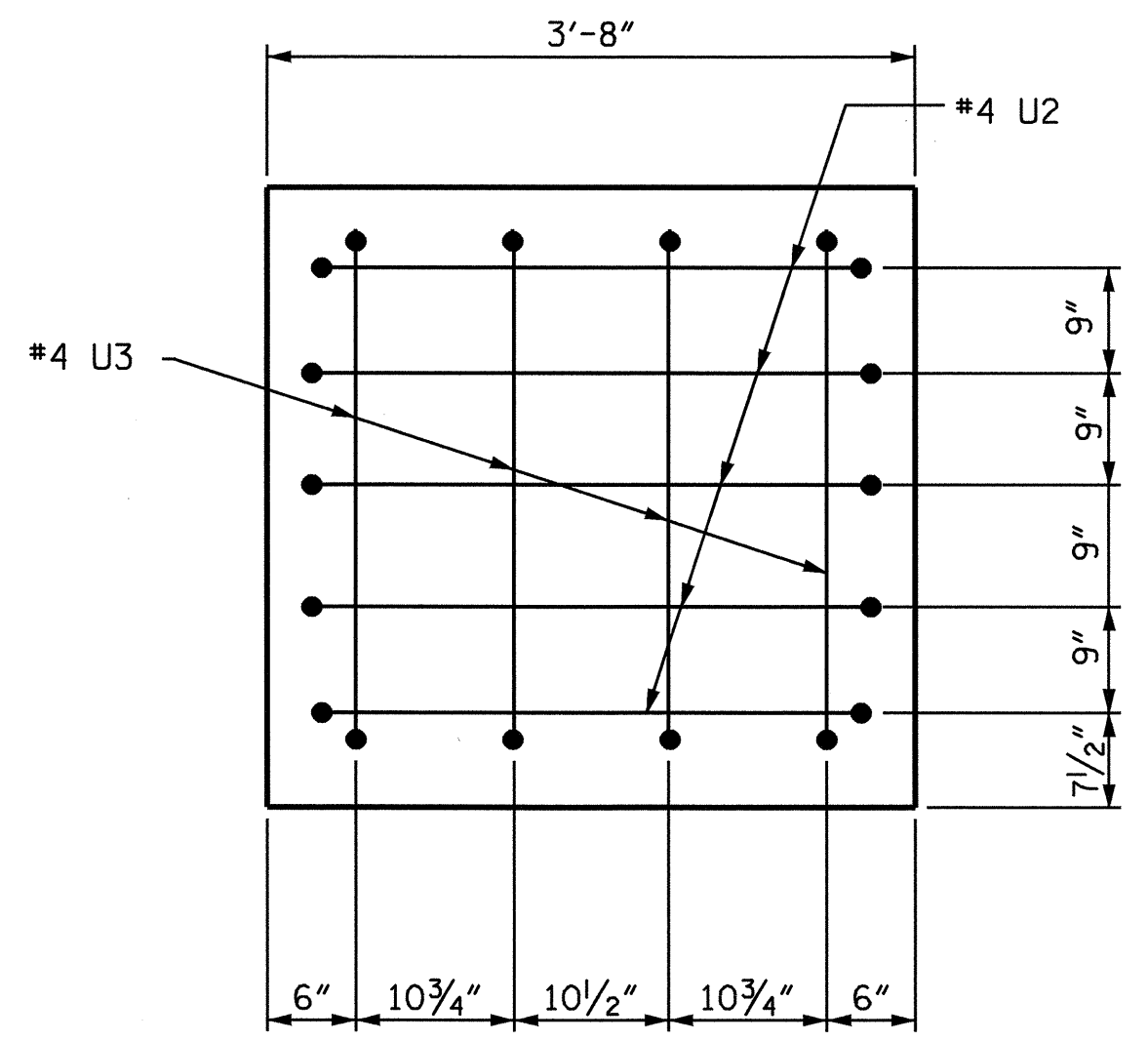
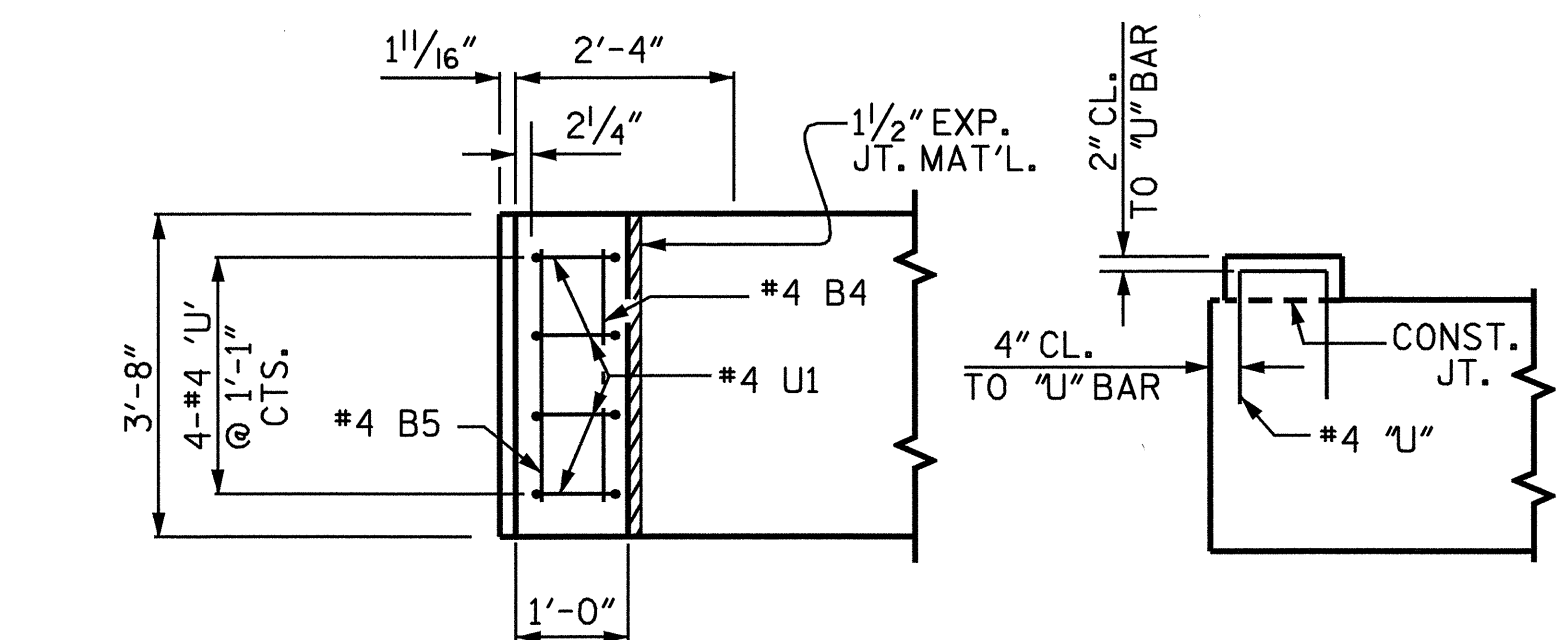


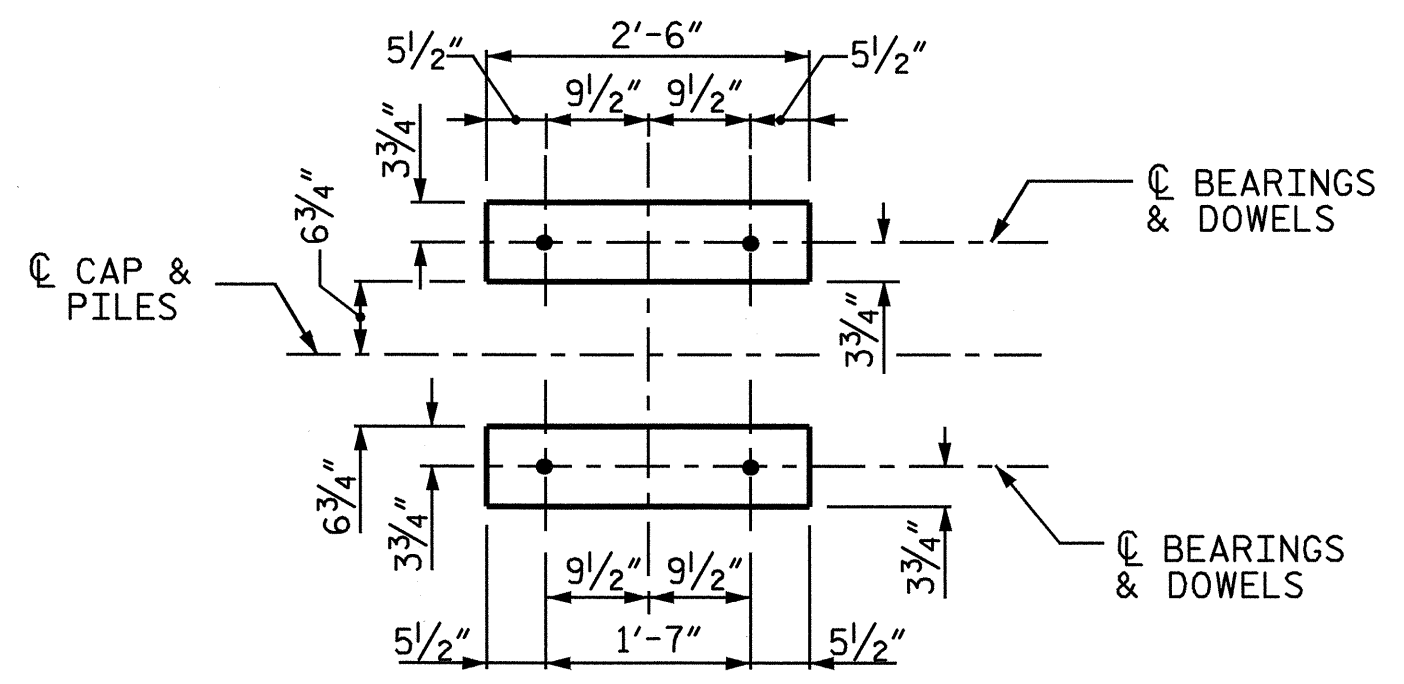
SECTION A-A



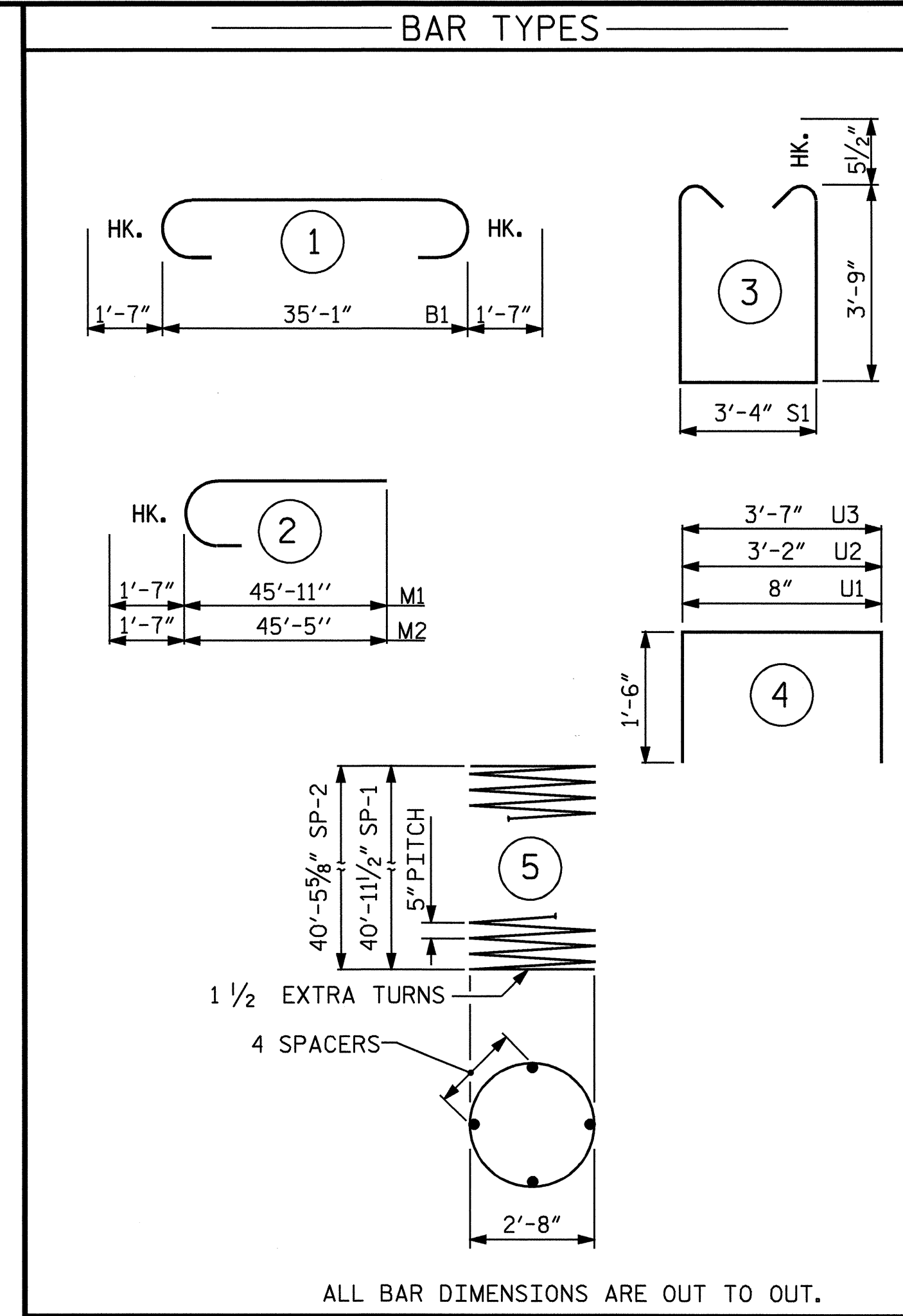
END VIEW X-X



PLAN ELEVATION
DETAIL A

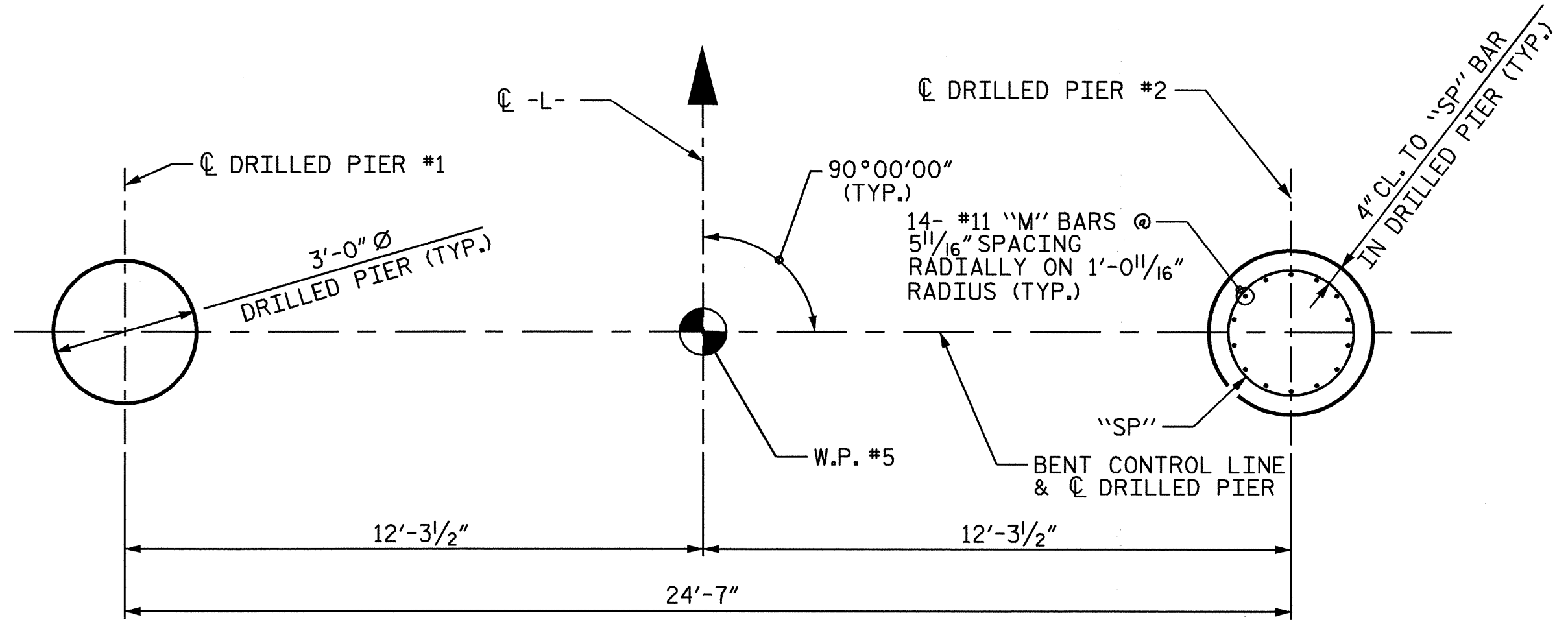


DETAIL B



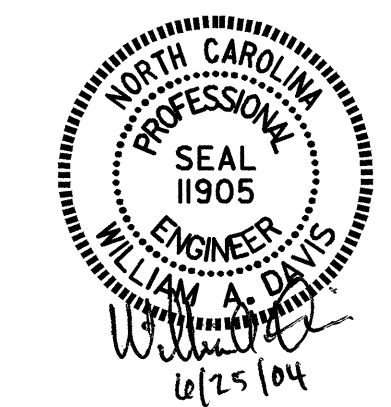
ALL BAR DIMENSIONS ARE OUT TO OUT.
* THE SP-1 SPIRAL REINFORCING STEEL SHALL BE W31 OR D-31 COLD DRAWN WIRE OR #5 PLAIN OR DEFORMED BAR.

BILL OF MATERIAL BENT #4					
BAR NO	NO	SIZE	TYPE	LENGTH	WEIGHT
B1	6	11	1	38'-3"	1219
B2	6	5	STR	35'-3"	221
B3	6	11	STR	35'-3"	1124
B4	4	4	STR	3'-4"	9
D1	44	6	STR	1'-6"	99
M1	14	11	2	47'-6"	3533
M2	14	11	2	47'-0"	3496
S1	30	5	3	11'-9"	368
U1	8	4	4	3'-8"	20
U2	10	4	4	6'-2"	41
U3	8	4	4	6'-7"	36
REINFORCING STEEL lbs.					10166
SP-1	1	*	5	675'-8"	705
SP-2	1	*	5	667'-4"	696
SPIRAL COLUMN REINFORCING STEEL lbs.					1401
CLASS A CONCRETE BREAKDOWN					
POUR #2 (CAP)				20.5 C.Y.	
POUR #3 LATERAL GUIDE				0.1 C.Y.	
TOTAL				20.6 C.Y.	
DRILLED PIERS CONCRETE BREAKDOWN					
POUR #1 (DRILLED PIERS)				21.5 C.Y.	
3'-0" Ø DRILLED PIERS (NOT IN SOIL) LINEAR FEET				25	
3'-0" Ø DRILLED PIERS (IN SOIL) LINEAR FEET				57.1	
PERMANENT STEEL CASING FOR 3'-0" Ø DRILLED PIERS FEET				39.5	
SID INSPECTION EACH				1	
CSL TUBES LINEAR FEET				348.4	



PLAN OF COLUMNS & DRILLED PIERS

DRAWN BY : G. O. COOPER DATE : 3/15/04
CHECKED BY : J.G. KHARVA DATE : 4/21/04



PROJECT NO. B-3629
CASWELL COUNTY
STATION: 26+65.00 -L-
SHEET 2 OF 2

REVISIONS						SHEET NO.
NO.	BY:	DATE:	NO.	BY:	DATE:	S-19
1			3			TOTAL SHEETS 26
2			4			