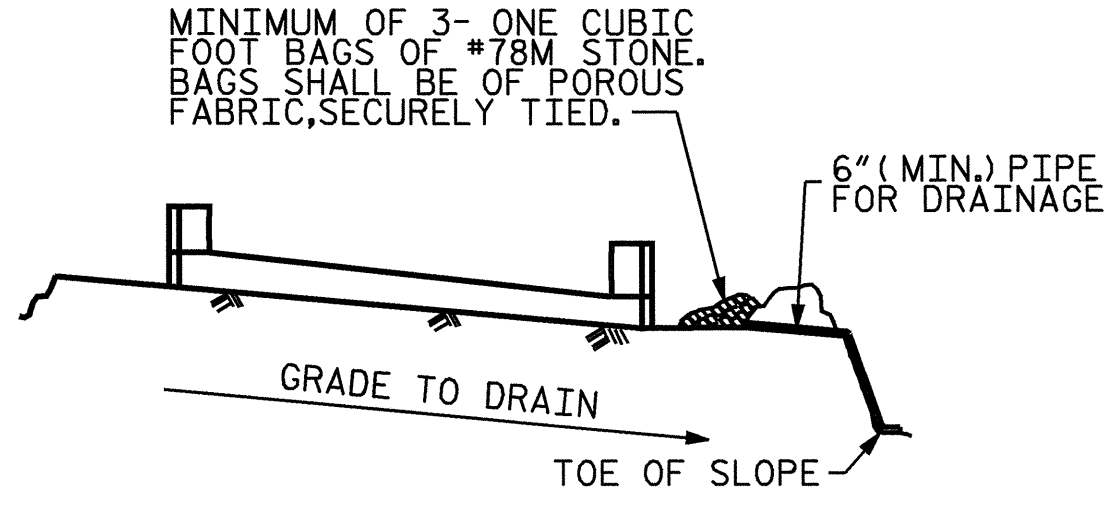


**SECTION A-A**



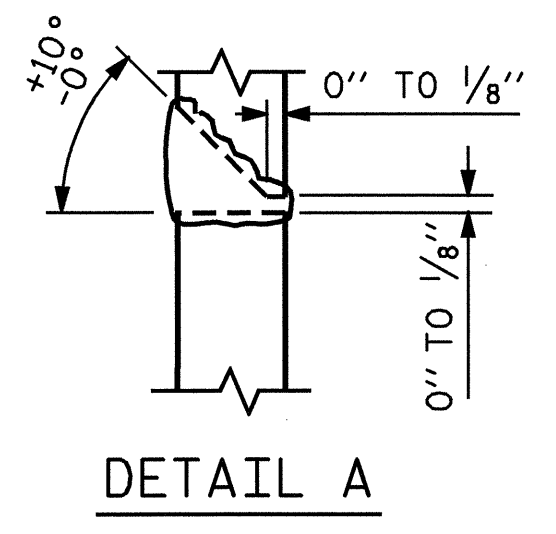
BAGGED STONE AND PIPE SHALL BE PLACED IMMEDIATELY AFTER COMPLETION OF END BENT EXCAVATION. PIPE MAY BE EITHER CONCRETE, CORRUGATED STEEL, CORRUGATED ALUMINUM ALLOY, OR CORRUGATED PLASTIC. PERFORATED PIPE WILL NOT BE ALLOWED.

BAGGED STONE SHALL REMAIN IN PLACE UNTIL THE ENGINEER DIRECTS THAT IT BE REMOVED. THE CONTRACTOR SHALL REMOVE AND DISPOSE OF SILT ACCUMULATIONS AT BAGGED STONE WHEN SO DIRECTED BY THE ENGINEER. BAGS SHALL BE REMOVED AND REPLACED WHENEVER THE ENGINEER DETERMINES THAT THEY HAVE DETERIORATED AND LOST THEIR EFFECTIVENESS.

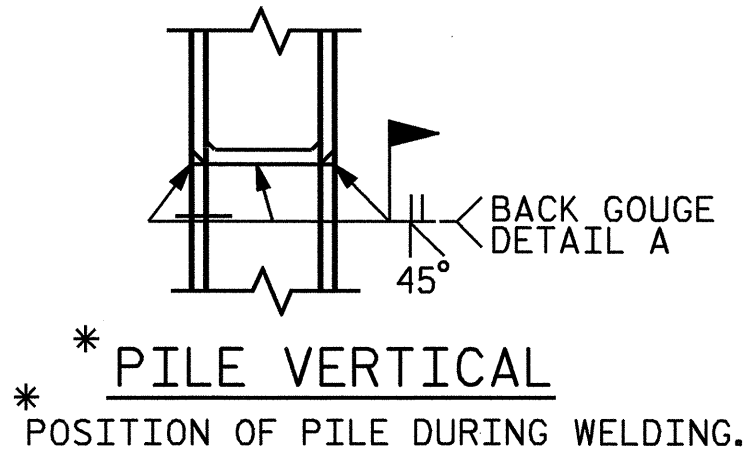
NO SEPARATE PAYMENT WILL BE MADE FOR THIS WORK AND THE ENTIRE COST OF THIS WORK SHALL BE INCLUDED IN THE UNIT CONTRACT PRICE BID FOR THE SEVERAL PAY ITEMS.

**TEMPORARY DRAINAGE AT END BENT**

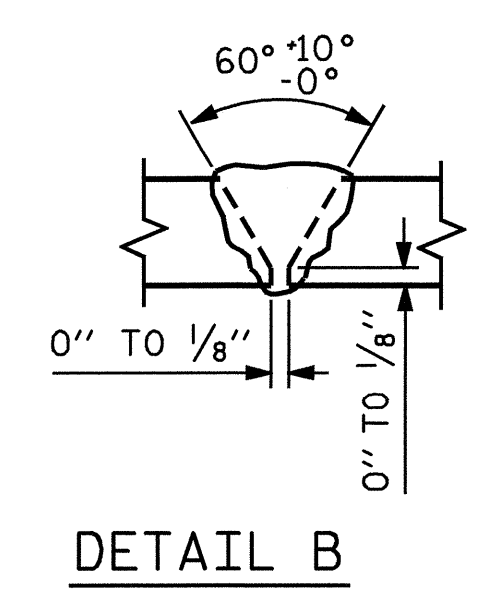
BAR TYPES					BILL OF MATERIAL				
					END BENT #2				
BAR	NO.	SIZE	TYPE	LENGTH	WEIGHT				
B1	8	9	1	41'-1"	1117				
B2	2	5	STR	38'-7"	80				
B3	8	4	STR	20'-7"	110				
B4	10	4	STR	2'-5"	16				
D1	22	6	STR	1'-6"	50				
H1	24	4	5	5'-4"	86				
K1	12	4	STR	2'-6"	20				
S1	37	4	2	7'-5"	183				
S2	37	4	4	3'-2"	78				
S3	12	4	4	6'-6"	52				
U1	4	4	6	4'-11"	13				
V1	16	5	STR	4'-0"	67				
V2	16	5	STR	4'-2"	70				
					REINFORCING STEEL LBS. 1942				
					CLASS A CONCRETE				
					POUR #1: CAP & LOWER WINGS C.Y. 10.7				
					POUR #2: UPPER WINGS C.Y. 0.9				
					POUR #3: LATERAL GUIDES C.Y. 0.1				
					TOTAL: C.Y. 11.7				
					HP 12 X 53 STEEL PILES NO. = 6 LIN. FT. = 180				



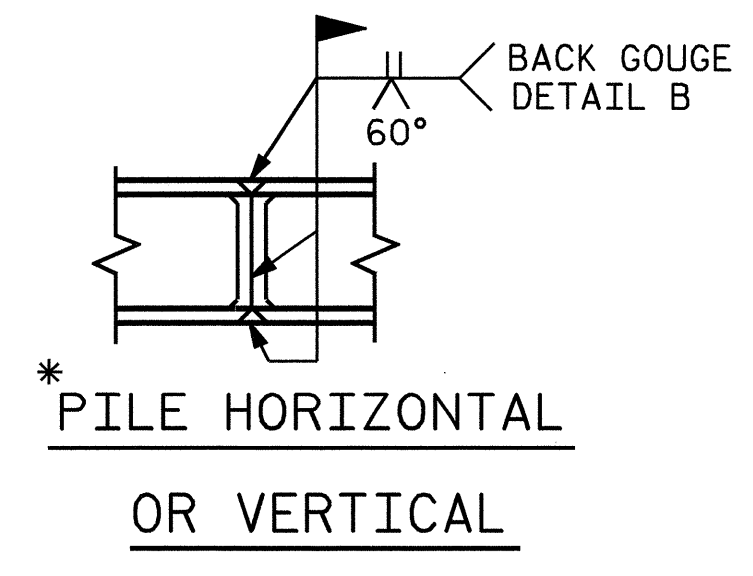
**DETAIL A**



**\* PILE VERTICAL POSITION OF PILE DURING WELDING.**

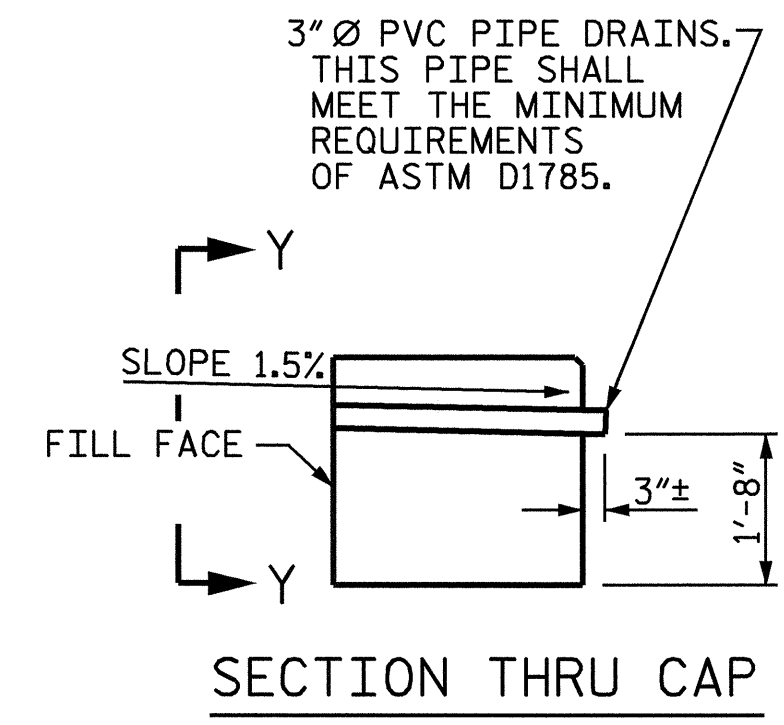


**DETAIL B**

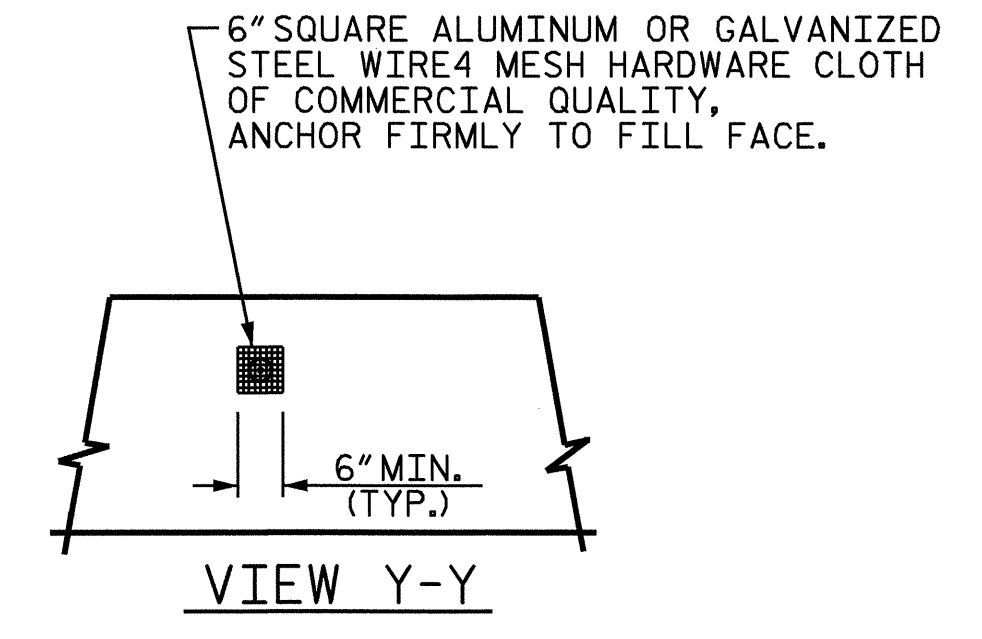


**\* PILE HORIZONTAL OR VERTICAL**

**PILE SPLICE DETAILS**



**SECTION THRU CAP**

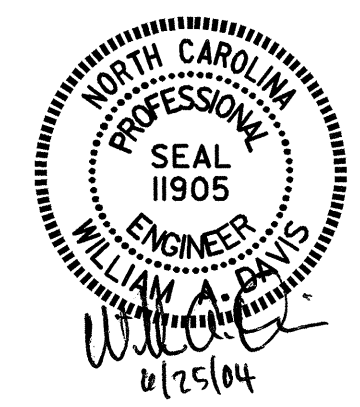


**VIEW Y-Y**

NOTE: NO SEPARATE PAYMENT WILL BE MADE FOR FURNISHING AND INSTALLING THE PVC PIPE DRAINS, HARDWARE CLOTH, AND FASTENERS. THE ENTIRE COST OF THIS WORK SHALL BE INCLUDED IN THE UNIT CONTRACT PRICE FOR THE SEVERAL PAY ITEMS.

**PIPE DRAIN DETAILS**

DRAWN BY : G.O. COOPER DATE : 4JAN'04  
 CHECKED BY : J.G. KHARVA DATE : 4/16/04



PROJECT NO. B-3629  
CASWELL COUNTY  
 STATION: 26+65.00 -L-  
 SHEET 3 OF 3

STATE OF NORTH CAROLINA DEPARTMENT OF TRANSPORTATION RALEIGH					
SUBSTRUCTURE END BENT #2					
REVISIONS					SHEET NO.
NO.	BY:	DATE:	NO.	BY:	DATE:
1			3		
2			4		
					TOTAL SHEETS 26