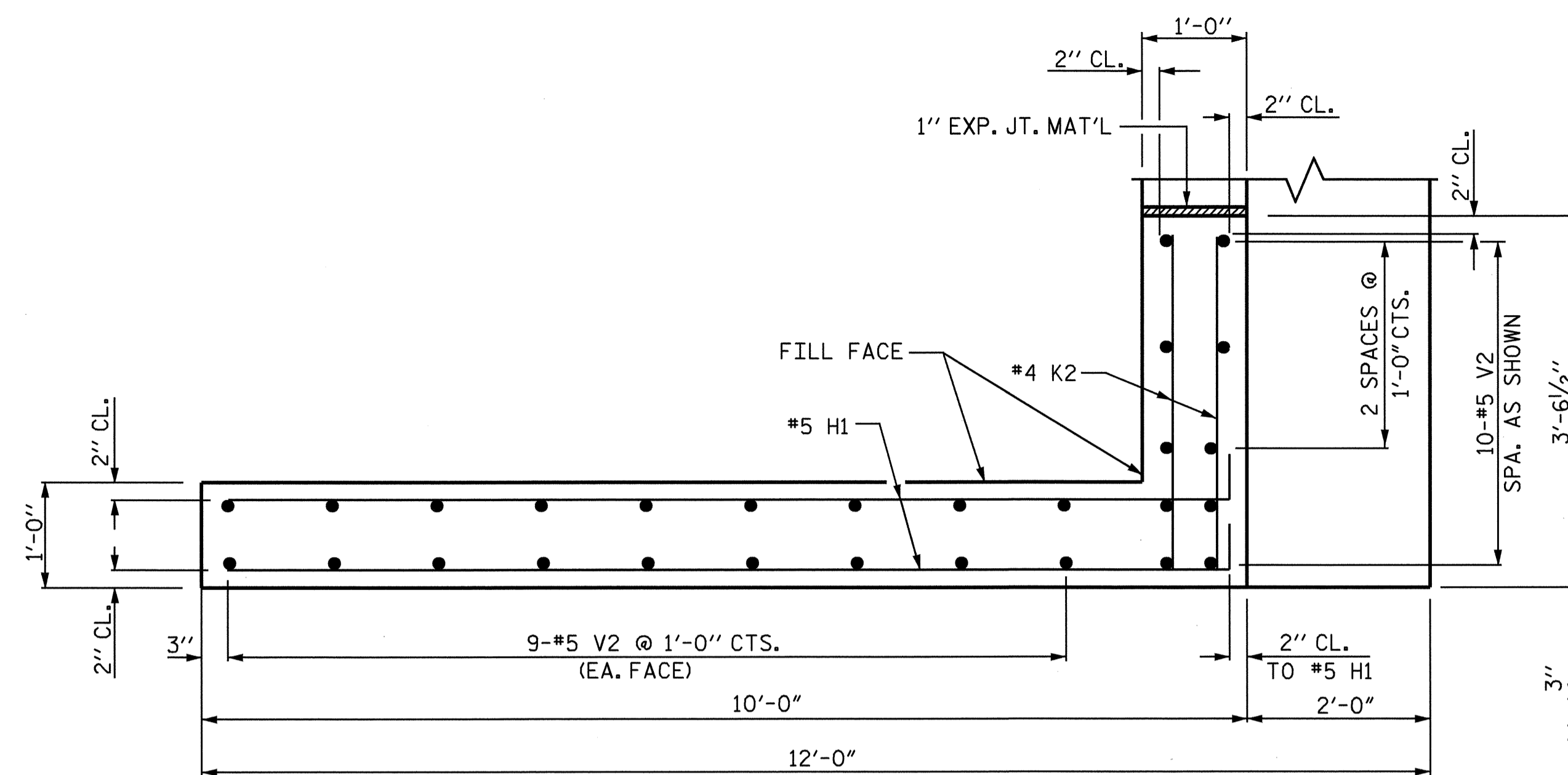
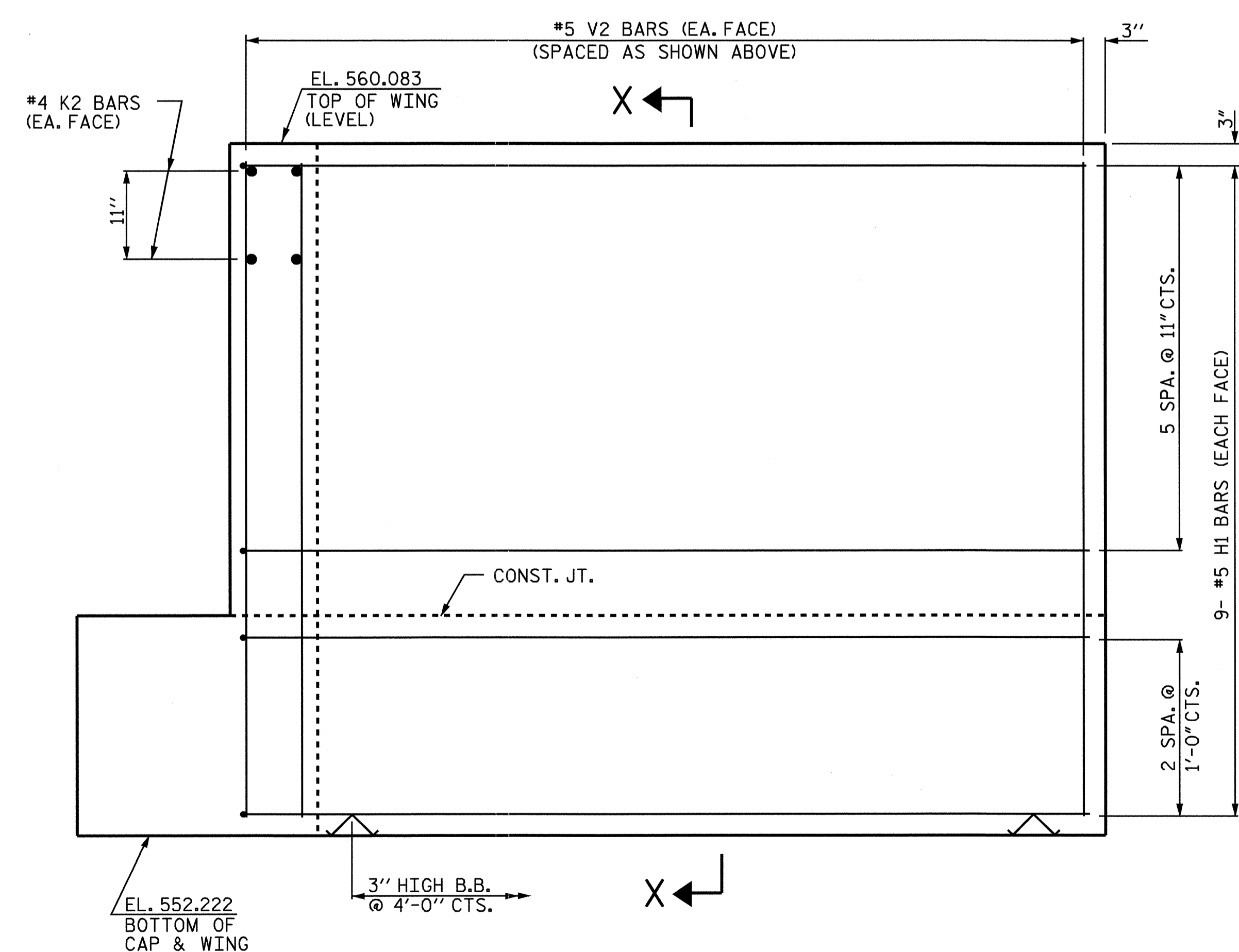


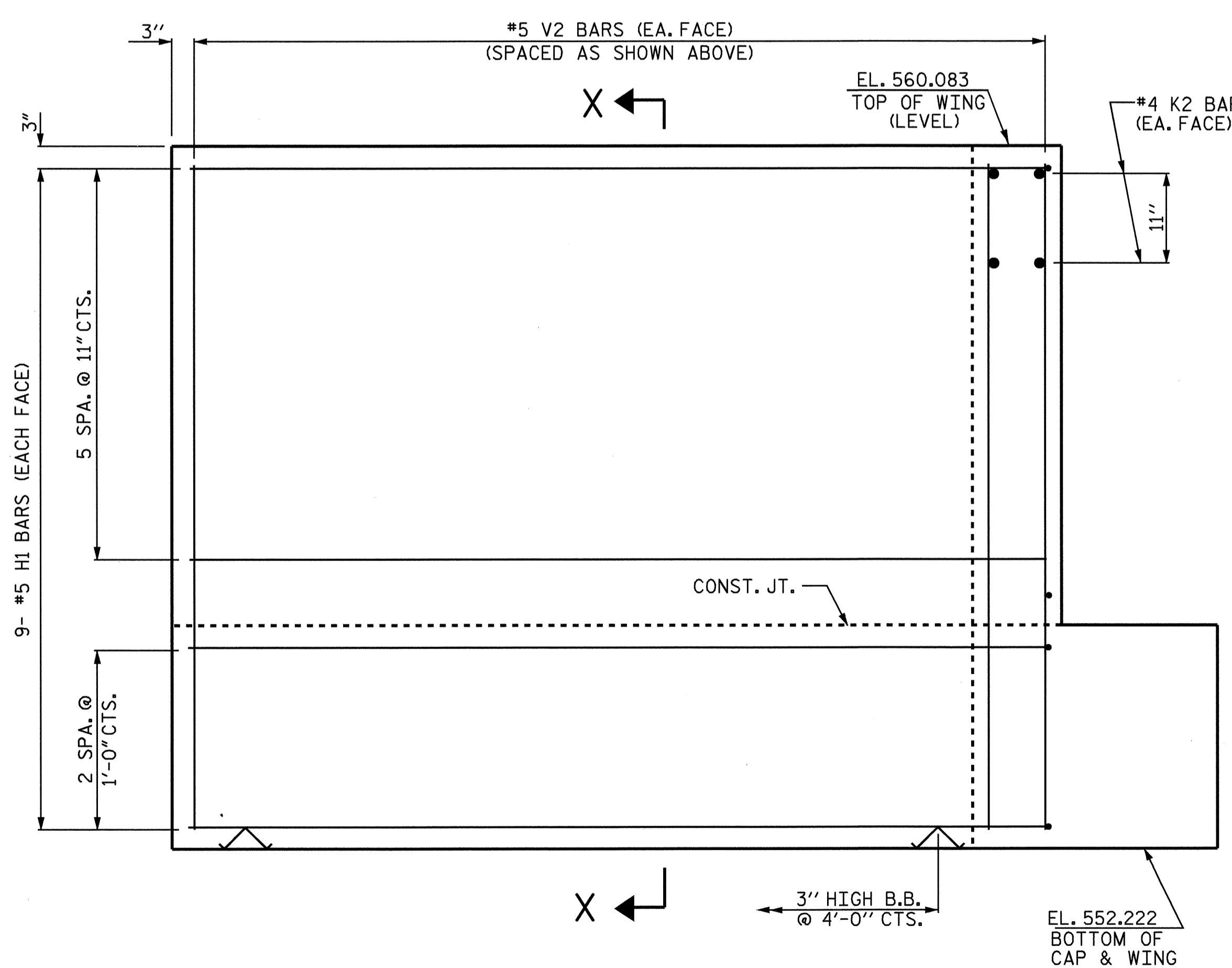
PLAN OF WING (W1)



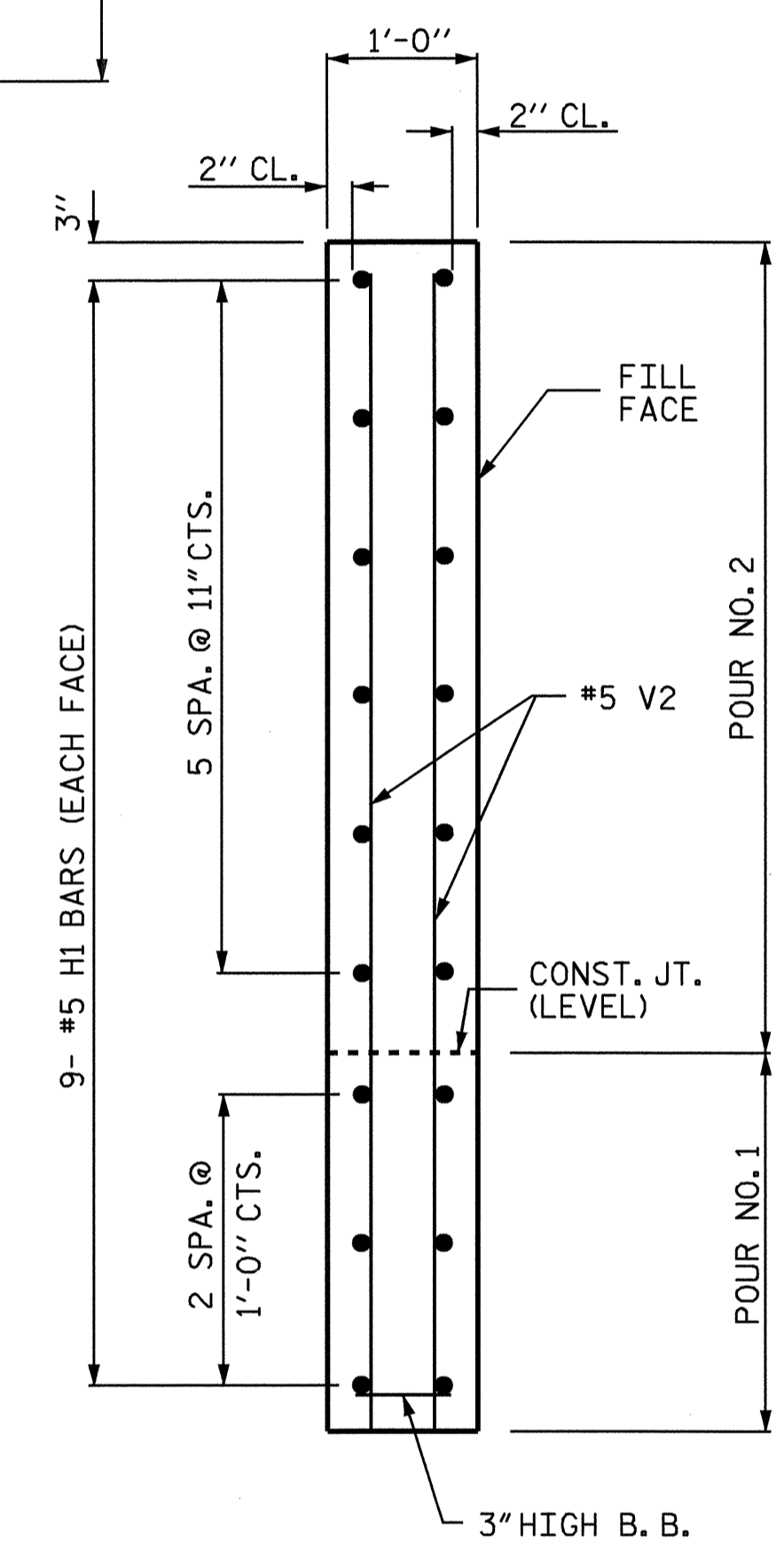
PLAN OF WING (W2)



ELEVATION OF WING (W1)



ELEVATION OF WING (W2)



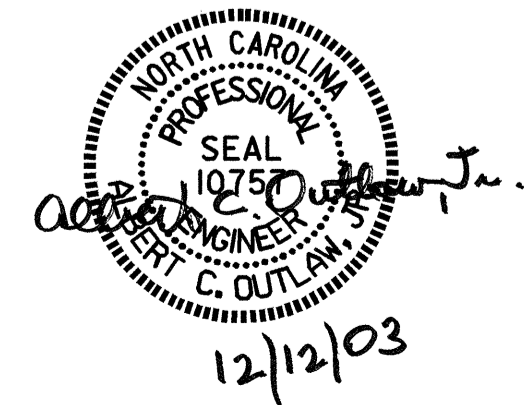
SECTION X-X

PROJECT NO. B-3623
 CABARRUS COUNTY
 STATION: 18+37.50 -L-

SHEET 2 OF 3

STATE OF NORTH CAROLINA
 DEPARTMENT OF TRANSPORTATION
 RALEIGH

SUBSTRUCTURE
 END BENT No. 1



DRAWN BY: D.L. PLATICA DATE: 5/19/03
 CHECKED BY: P.C. BREWER DATE: 9/24/03

REVISIONS						SHEET NO.
NO.	BY:	DATE:	NO.	BY:	DATE:	S-23
1			3			TOTAL SHEETS
2			4			34