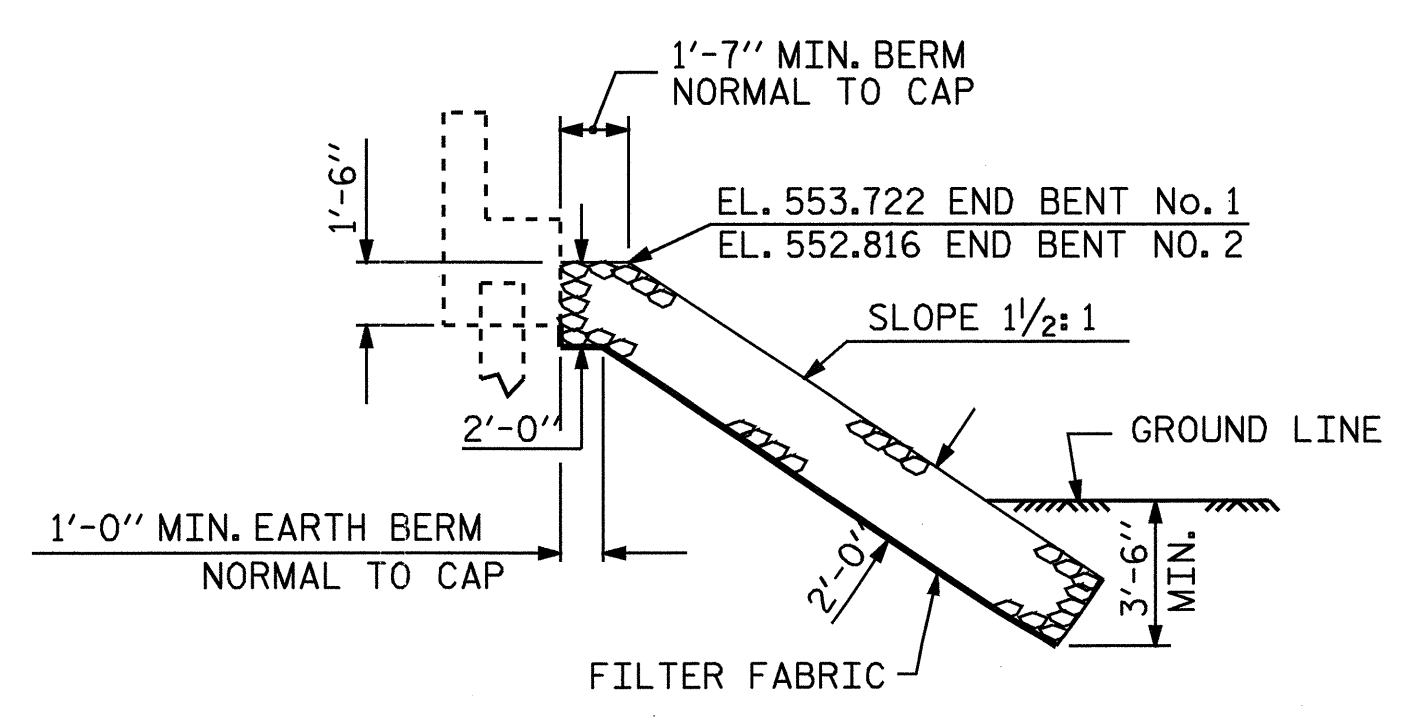
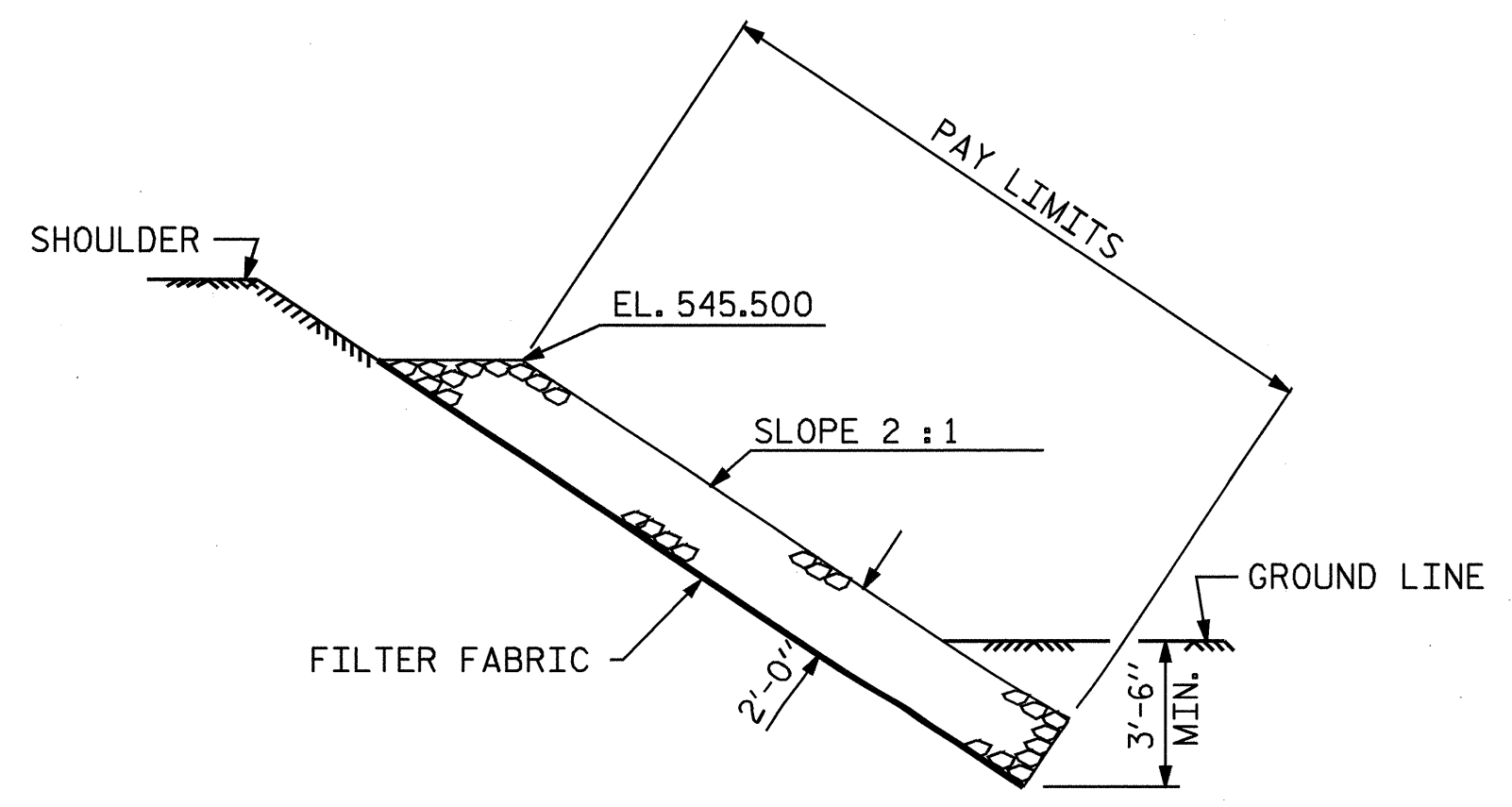


PLAN

ESTIMATED QUANTITIES		
BRIDGE @ STA. 18+37.50 -L-	PLAIN RIP RAP CLASS II	FILTER FABRIC FOR DRAINAGE
	TONS	SQUARE YARDS
END BENT No. 1	500	556
END BENT No. 2	640	711



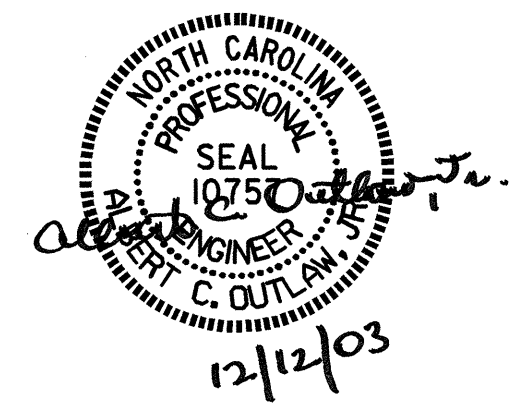
SECTION
BERM RIP RAPPED



SECTION C-C

PROJECT NO. B-3623
CABARRUS COUNTY
 STATION: 18+37.50 -L-

STATE OF NORTH CAROLINA
 DEPARTMENT OF TRANSPORTATION
 RALEIGH
 STANDARD
 RIP RAP DETAILS



DRAWN BY : D.L. PLATICA DATE : 4/25/03
 CHECKED BY : P.C. BREWER DATE : 10/09/03

REVISIONS						SHEET NO.
NO.	BY:	DATE:	NO.	BY:	DATE:	S-32
1			3			TOTAL SHEETS
2			4			34