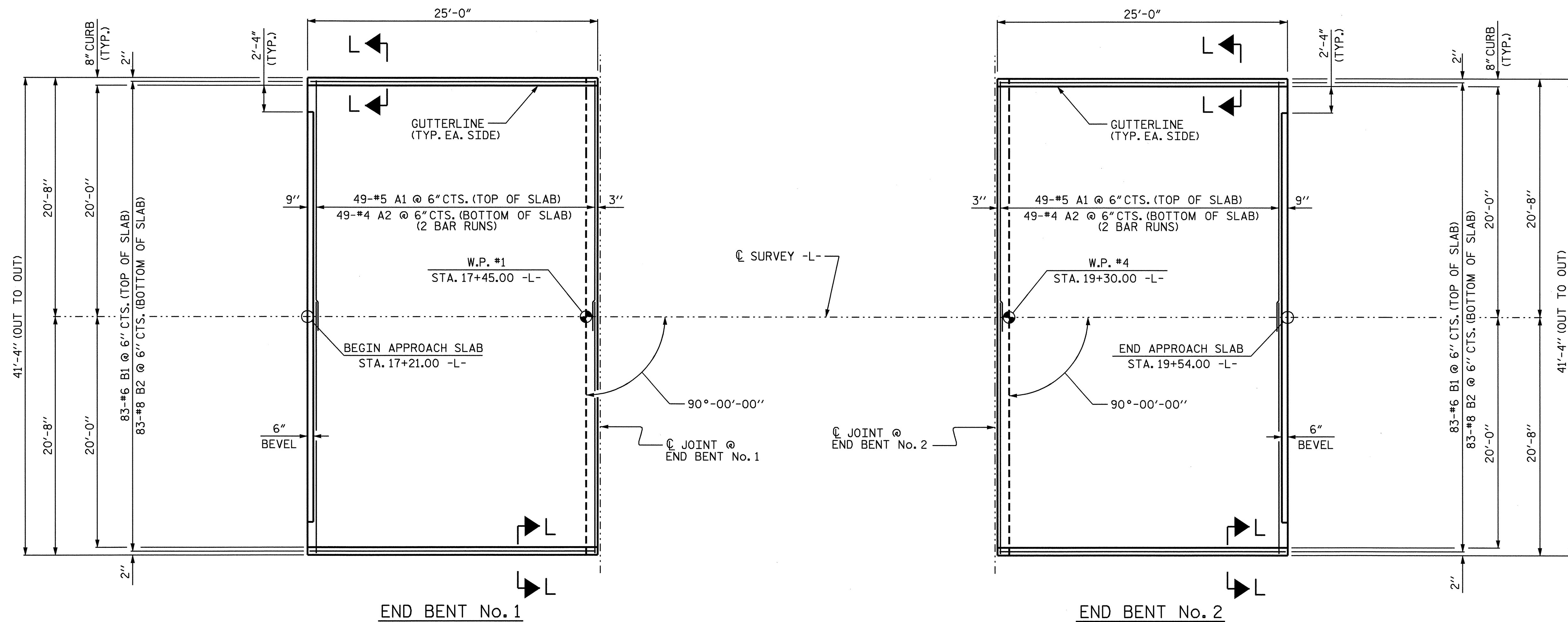
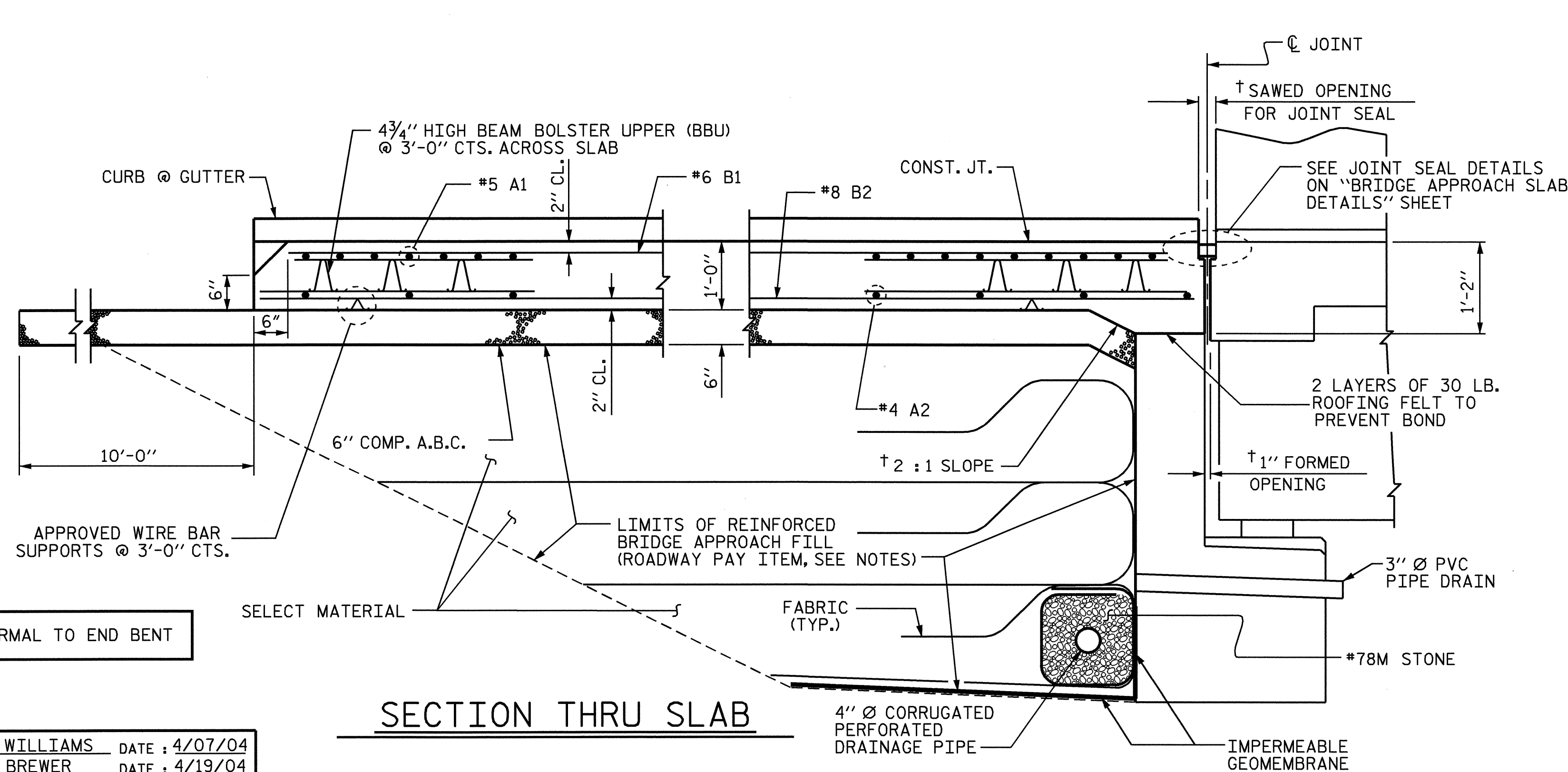


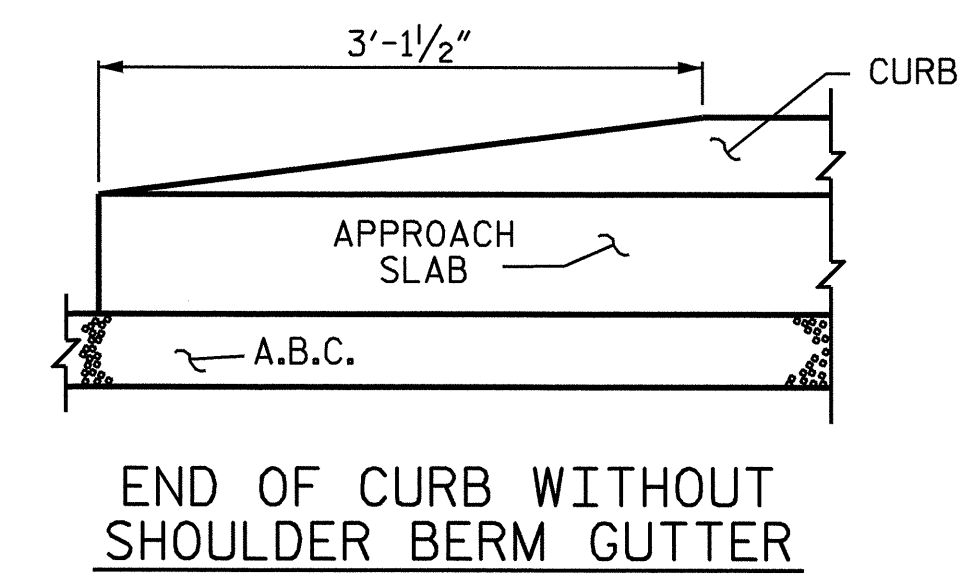
BILL OF MATERIAL					
FOR ONE APPROACH SLAB (2 REQ'D)					
BAR	NO.	SIZE	TYPE	LENGTH	WEIGHT
* A1	49	#5	STR	41'-0"	2095
A2	98	#4	STR	21'-5"	1402
* B1	83	#6	STR	24'-2"	3013
B2	83	#8	STR	24'-8"	5466
REINFORCING STEEL					6,868 LBS.
* EPOXY COATED REINFORCING STEEL					5,108 LBS.
CLASS AA CONCRETE					38.6 C. Y.



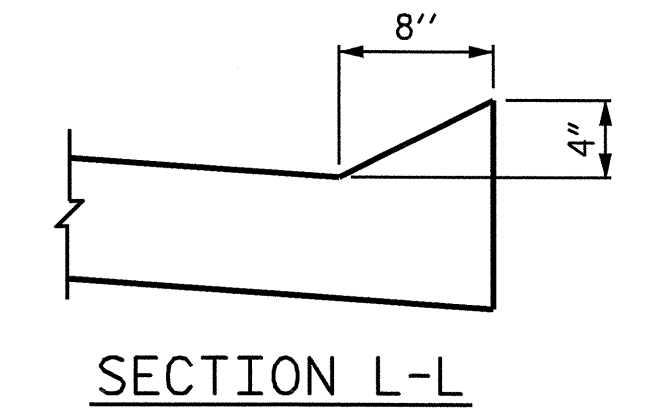
PLAN OF APPROACH SLAB



SECTION THRU SLAB



CURB DETAILS



SECTION L-L

PROJECT NO. B-3623
 CABARRUS COUNTY
 STATION: 18+37.50 -L-

SHEET 1 OF 2

STATE OF NORTH CAROLINA
 DEPARTMENT OF TRANSPORTATION
 RALEIGH

BRIDGE APPROACH SLAB
 FOR FLEXIBLE PAVEMENT

REVISIONS						SHEET NO.	
NO.	BY:	DATE:	NO.	BY:	DATE:	S-33	
1			3			TOTAL SHEETS	
2			4			34	



DRAWN BY: S.B. WILLIAMS DATE: 4/07/04
 CHECKED BY: P.C. BREWER DATE: 4/19/04