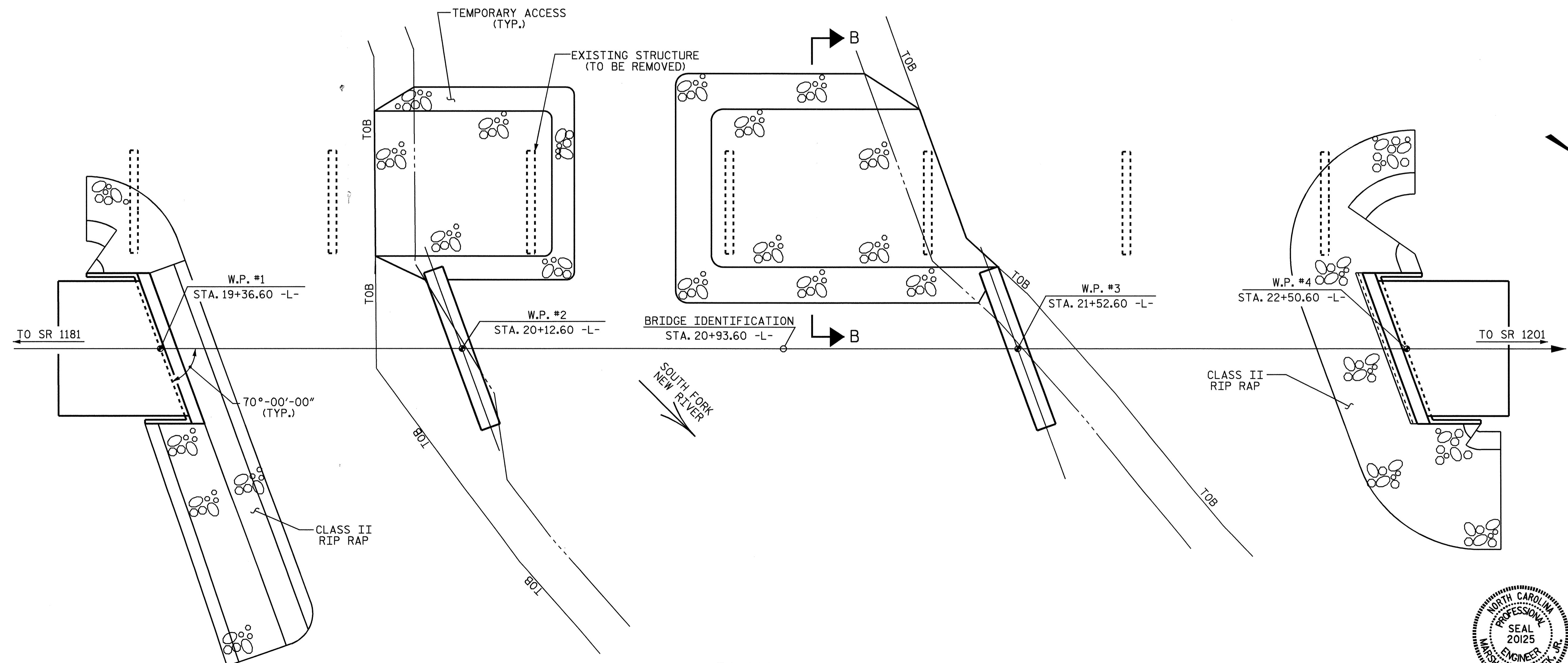


SECTION ALONG C SURVEY -L-
 SECTION TAKEN AT RIGHT ANGLES TO BENTS AND END BENTS.



PROJECT NO. B-4010
ASHE COUNTY
 STATION: 20+93.60 -L-

SHEET 3 OF 3
 STATE OF NORTH CAROLINA
 DEPARTMENT OF TRANSPORTATION
 RALEIGH
TEMPORARY ACCESS
 (PHASE III)



DRAWN BY : CR LEWIS DATE : 06/04
 CHECKED BY : MG CHEEK DATE : 07/04

REVISIONS						SHEET NO. S-6
NO.	BY:	DATE:	NO.	BY:	DATE:	
1			3			TOTAL SHEETS 37
2			4			