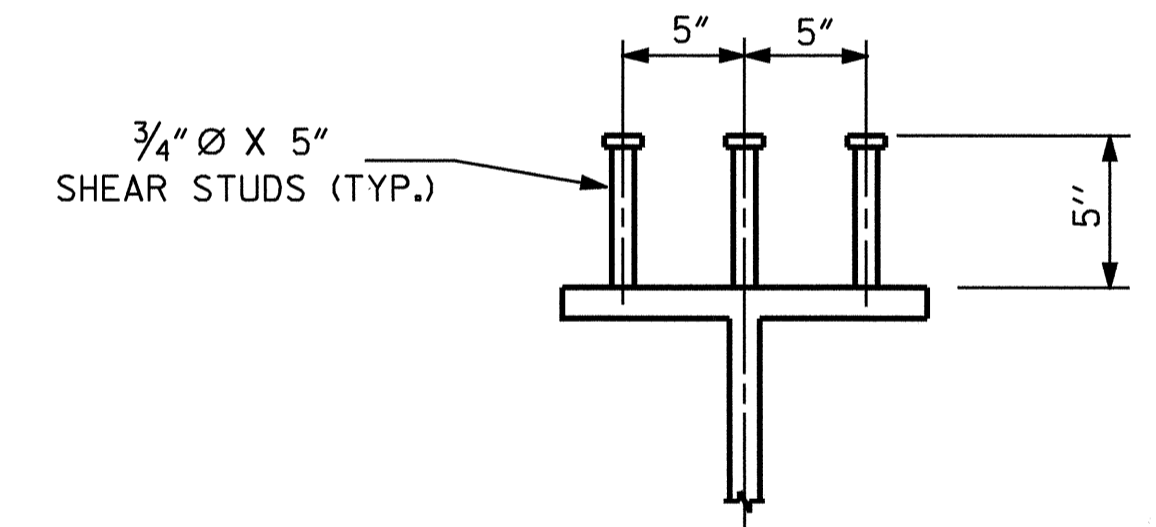


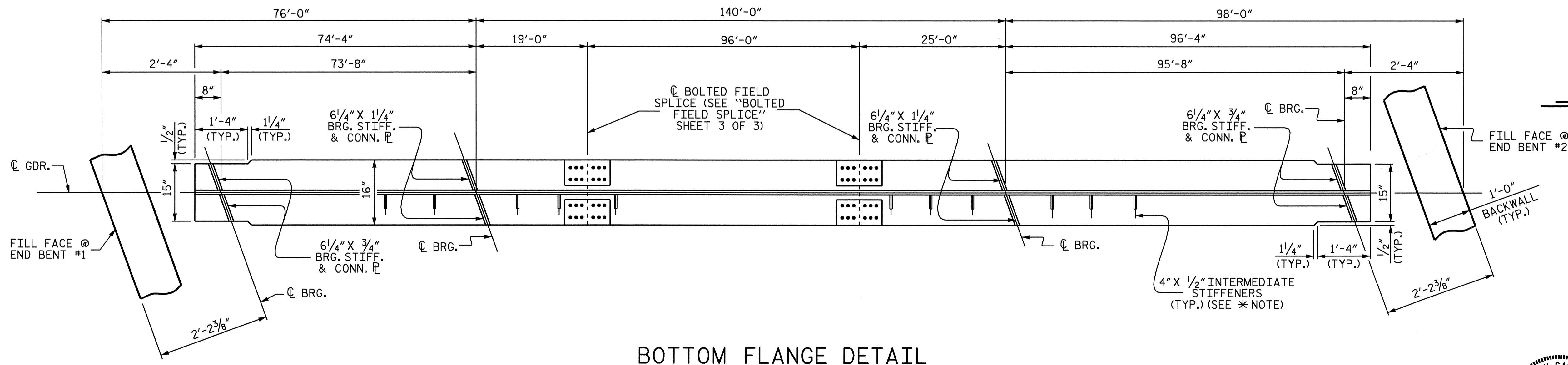
\* NOTE : INTERMEDIATE STIFFENERS ARE NOT TO BE PLACED ON THE OUTSIDE OF EXTERIOR GIRDERS. (SEE FRAMING PLAN FOR LOCATION)

### GIRDER ELEVATION

3 SHEAR STUDS PER ROW  
(INTERMEDIATE DIAPHRAGMS NOT SHOWN)



### SHEAR STUD DETAILS



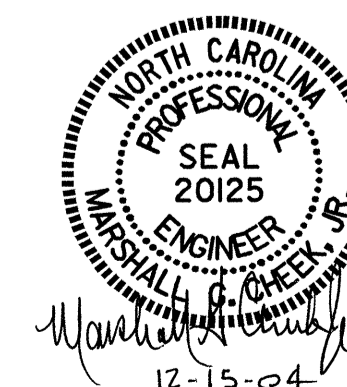
### BOTTOM FLANGE DETAIL

PROJECT NO. B-4010  
ASHE COUNTY  
STATION: 20+93.60-L-

SHEET 1 OF 3

STATE OF NORTH CAROLINA  
DEPARTMENT OF TRANSPORTATION  
RALEIGH

SUPERSTRUCTURE  
STRUCTURAL STEEL



DRAWN BY : L.L. MURPHY DATE : 04-04  
CHECKED BY : D. HODGE DATE : 05-04

REV. NO. 1: TO CORRECT SHEAR STUD SPACINGS. BY: DAH ✓BY:MGC

REVISIONS						SHEET NO.
NO.	BY:	DATE:	NO.	BY:	DATE:	S-13
1	DAH	12/15/04	3			TOTAL SHEETS 37
2			4			