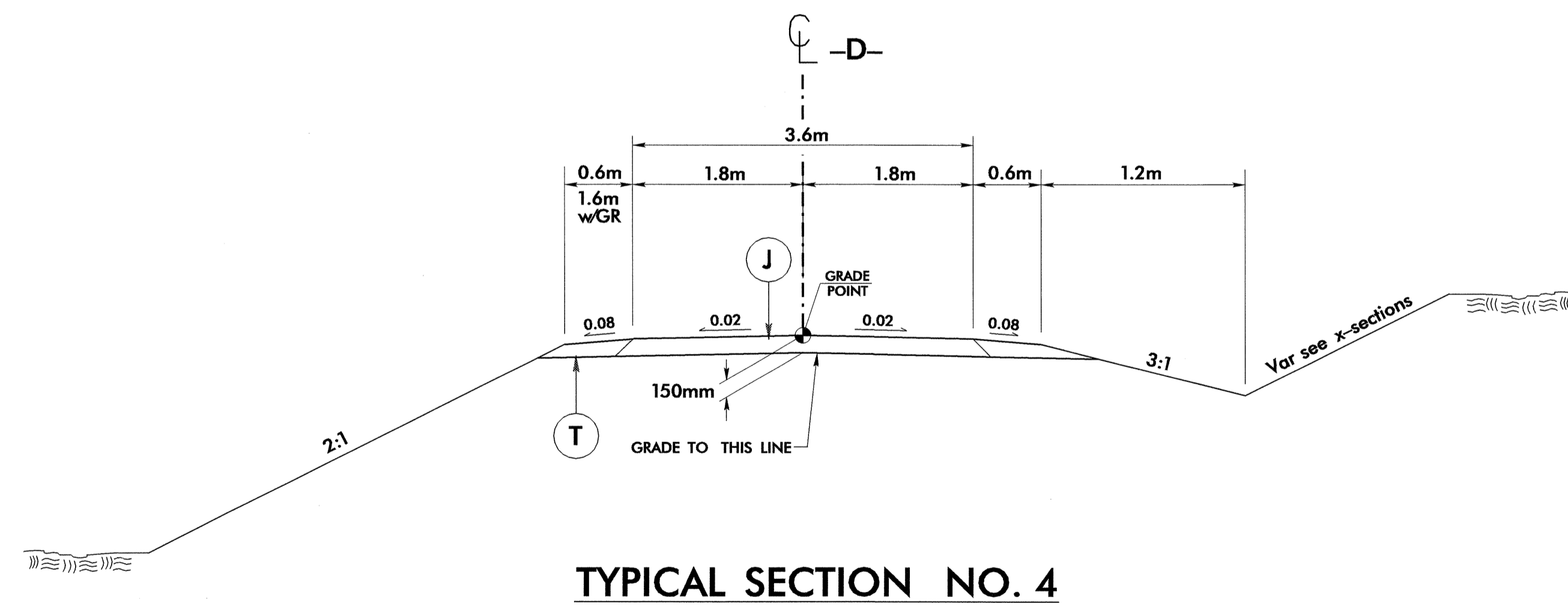


**TYPICAL SECTION NO. 3**

**USE TYPICAL SECTION NO. 3**  
 -Y- STA 13+05.400 TO -Y- STA 14+80.000



**TYPICAL SECTION NO. 4**

**USE TYPICAL SECTION NO. 4**  
 -D- STA 10+00.000 TO -D- STA 11+07.736

| PROJECT REFERENCE NO.   |                   | SHEET NO.                |  |
|-------------------------|-------------------|--------------------------|--|
| B-1019                  |                   | 2-A                      |  |
| ROADWAY DESIGN ENGINEER |                   | PAVEMENT DESIGN ENGINEER |  |
|                         |                   |                          |  |
| C1                      | 40mm              | S9.5B                    |  |
| C2                      | 80mm              | S9.5B                    |  |
| C3                      | VAR.              | S9.5B                    |  |
| D1                      | 80mm              | I19.0B                   |  |
| D2                      | VAR.              | I19.0B                   |  |
| E1                      | 170mm             | B25.0B                   |  |
| E2                      | 100mm             | B25.0B                   |  |
| E3                      | VAR.              | B25.0B                   |  |
| J                       | 150mm             | ABC                      |  |
| T                       | EARTH MATERIAL    |                          |  |
| W                       | WEDGING           |                          |  |
| U                       | EXISTING PAVEMENT |                          |  |