

22-MAY-2003 12:13
 C:\Users\erl\Documents\Projects\02\Std to Special Details\metric\862D02\0862d02m.dgn
 erl.dwg
 AT 08/20/2006

STATE OF
 NORTH CAROLINA
 DEPT. OF TRANSPORTATION
 DIVISION OF HIGHWAYS
 RALEIGH, N.C.

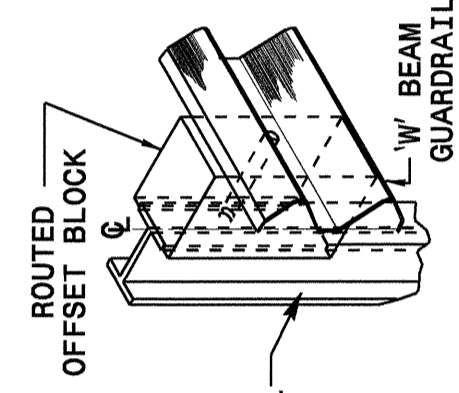
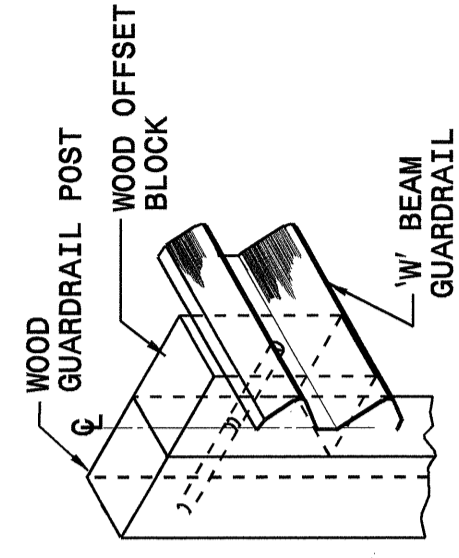
METRIC DETAIL DRAWING FOR
 GUARDRAIL INSTALLATION

SHEET 3 OF 7
862D02

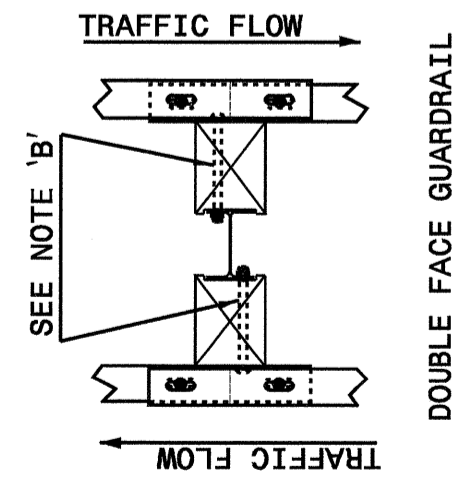
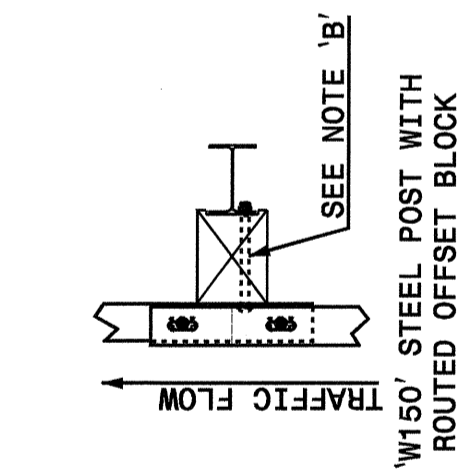
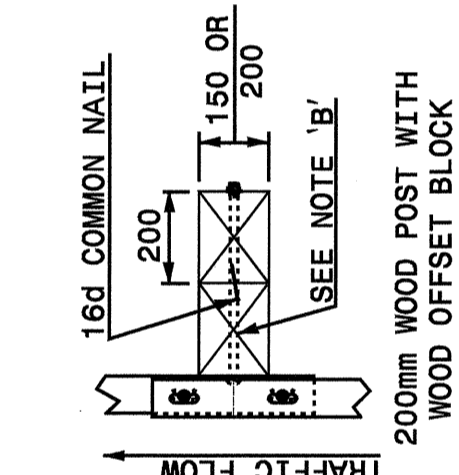
STATE OF
 NORTH CAROLINA
 DEPT. OF TRANSPORTATION
 DIVISION OF HIGHWAYS
 RALEIGH, N.C.

METRIC DETAIL DRAWING FOR
 GUARDRAIL INSTALLATION

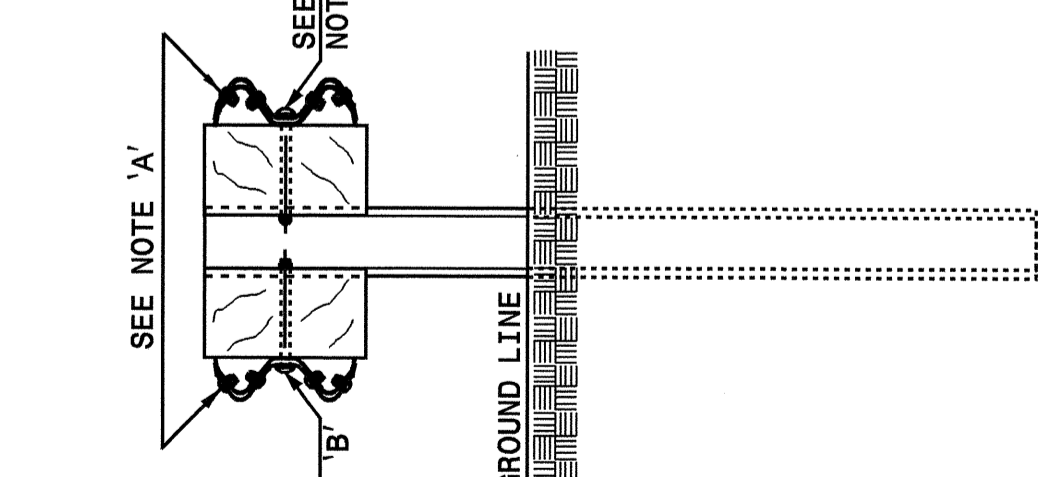
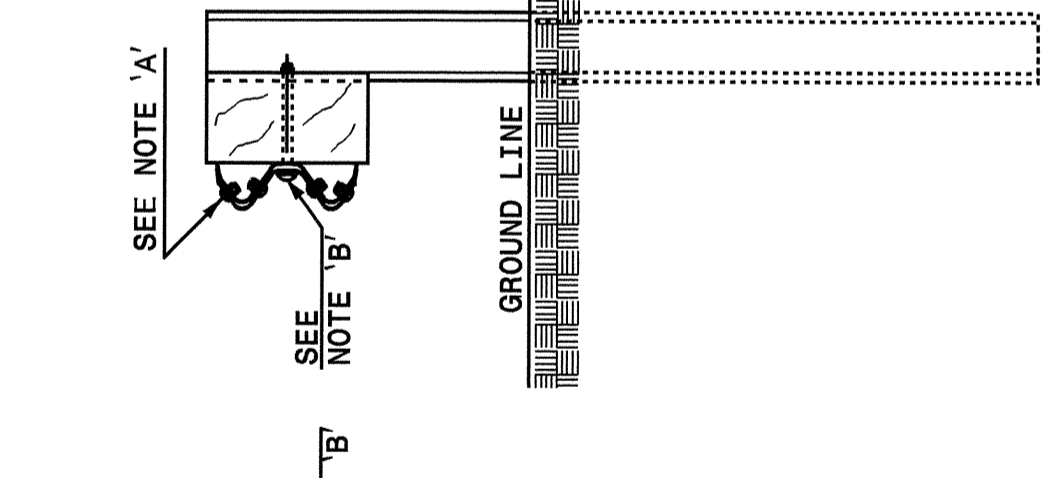
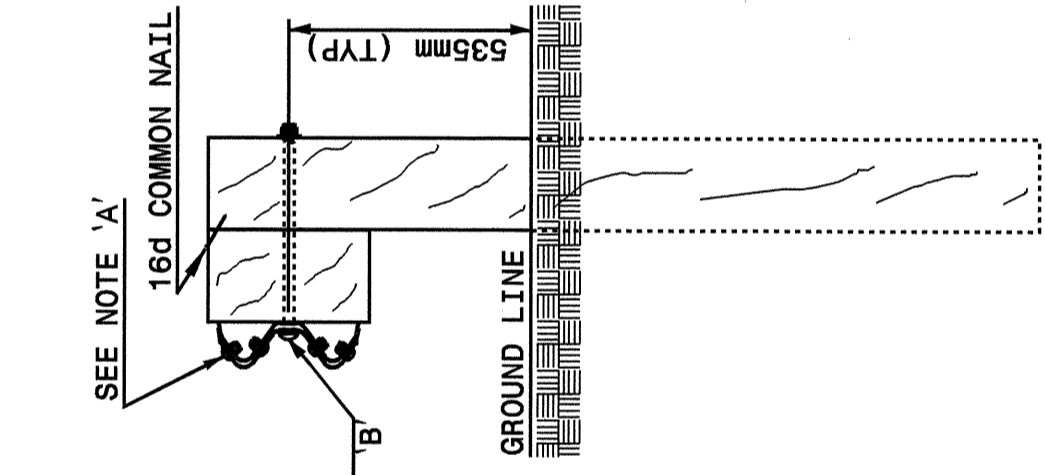
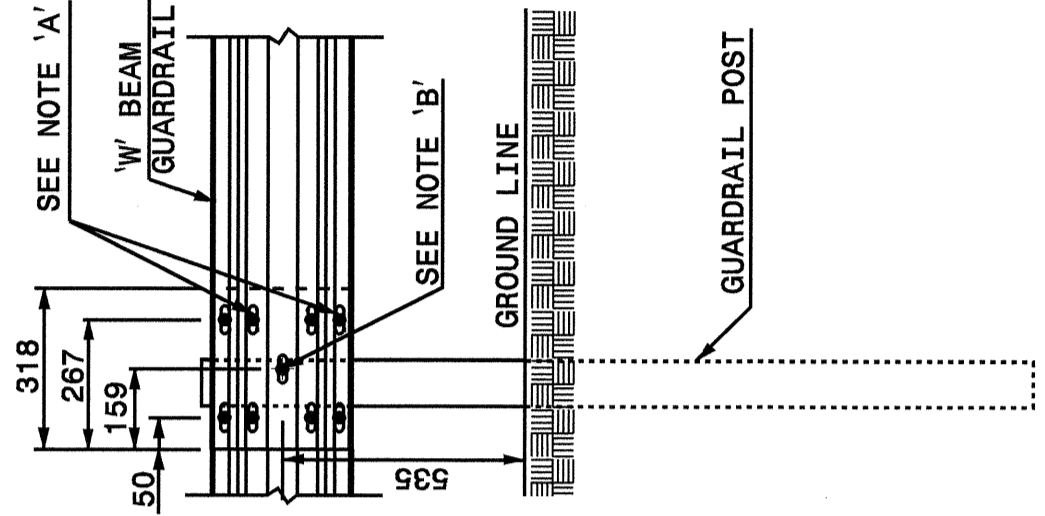
SHEET 3 OF 7
862D02



ISOMETRIC VIEWS



PLAN



FRONT

SIDE

NOTES:
 A - 16mm DIA. BUTTON HEAD SPLICE BOLT 32mm LONG WITH STD. WASHER UNDER NUT (8 REQ. PER SPLICE JOINT).
 B - 16mm DIA. BUTTON HEAD BOLT 190mm/228mm LONG WITH NUT FOR BOLTING 150mm/200mm ROUTED OFFSET BLOCK TO STEEL POSTS OR 16mm DIA. BUTTON HEAD BOLT 457mm LONG WITH STD. WASHER UNDER NUT FOR BOLTING TO WOOD POSTS (1 REQ. PER LOCATION)
 C - FIELD PUNCH HOLES INTO THE GUARDRAIL AS DIRECTED BY THE ENGINEER.

Note:
 This drawing is dimensioned in millimeters unless otherwise depicted within the drawing.

TYPICAL GUARDRAIL AND GUARDRAIL POST ALTERNATIVES

STATE OF
 NORTH CAROLINA
 DEPT. OF TRANSPORTATION
 DIVISION OF HIGHWAYS
 RALEIGH, N.C.

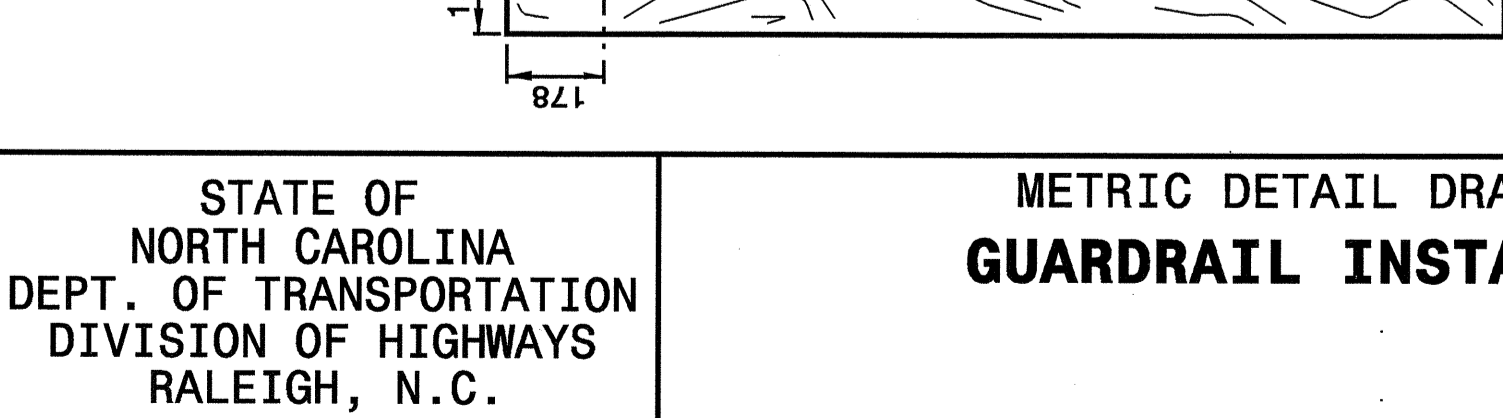
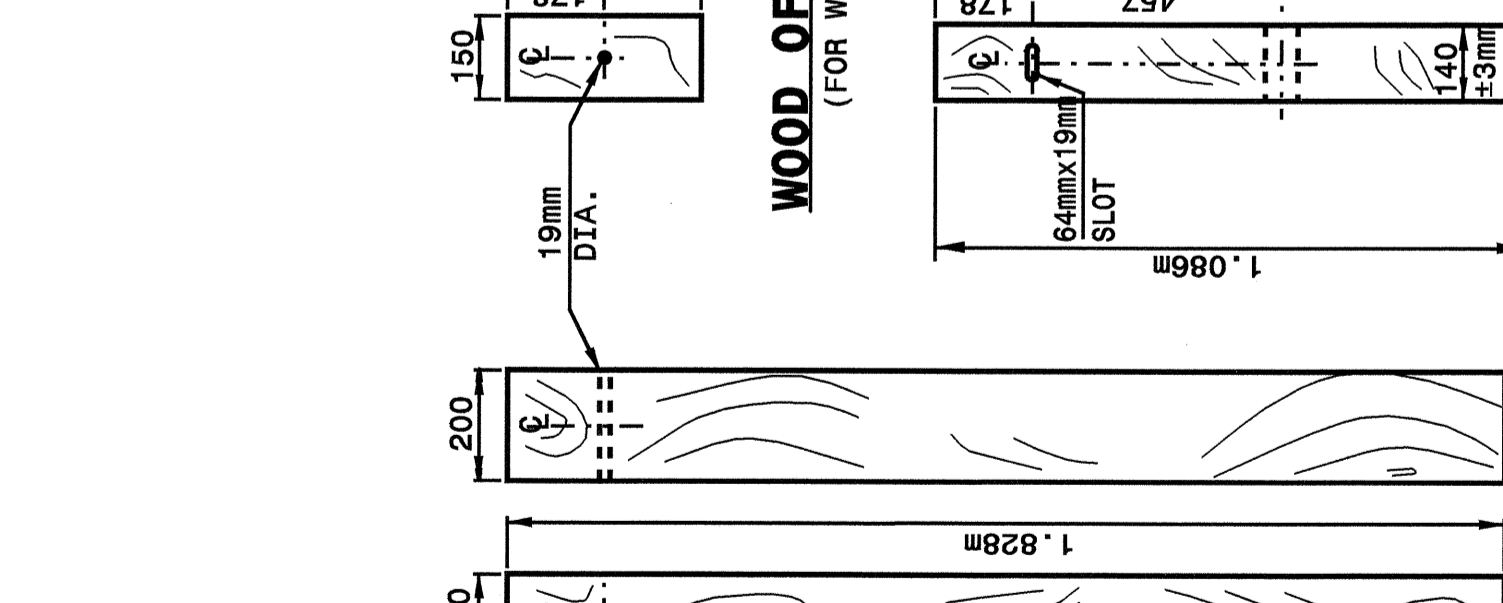
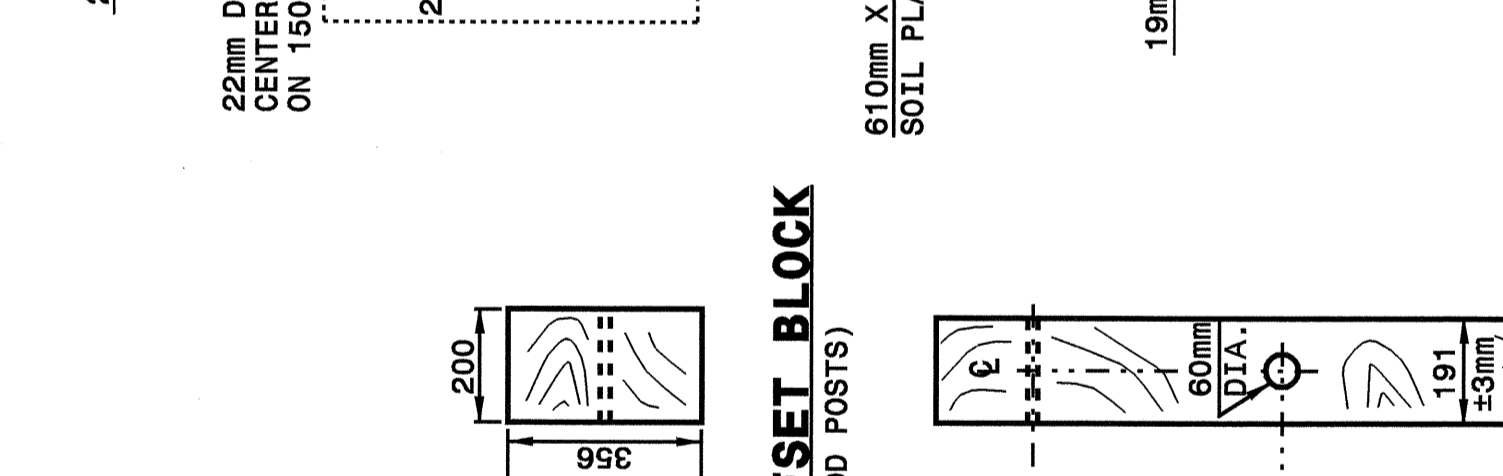
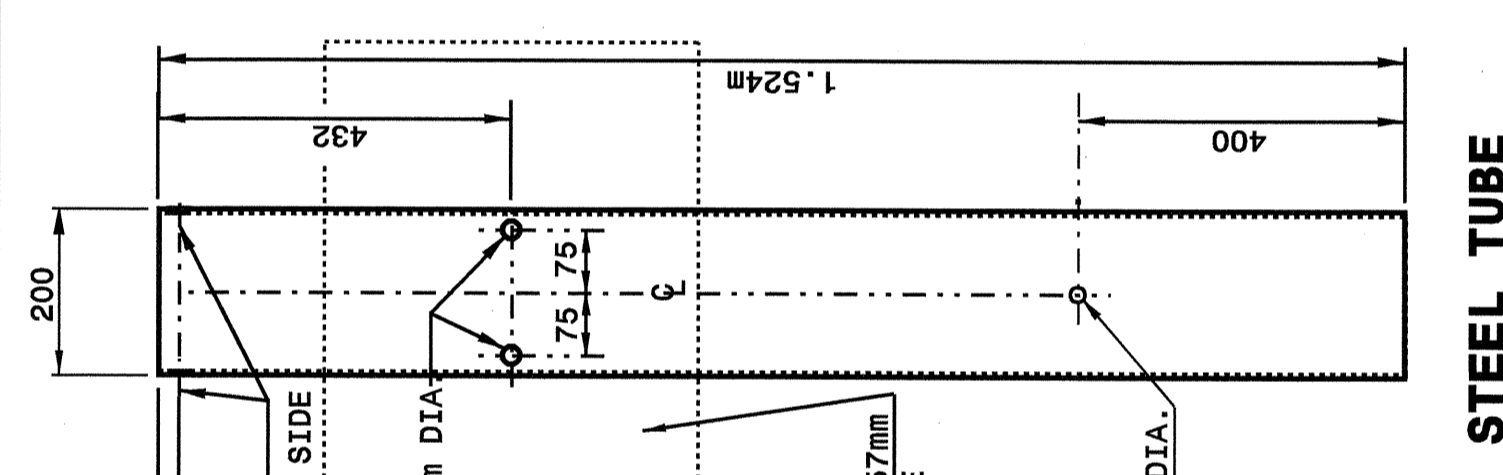
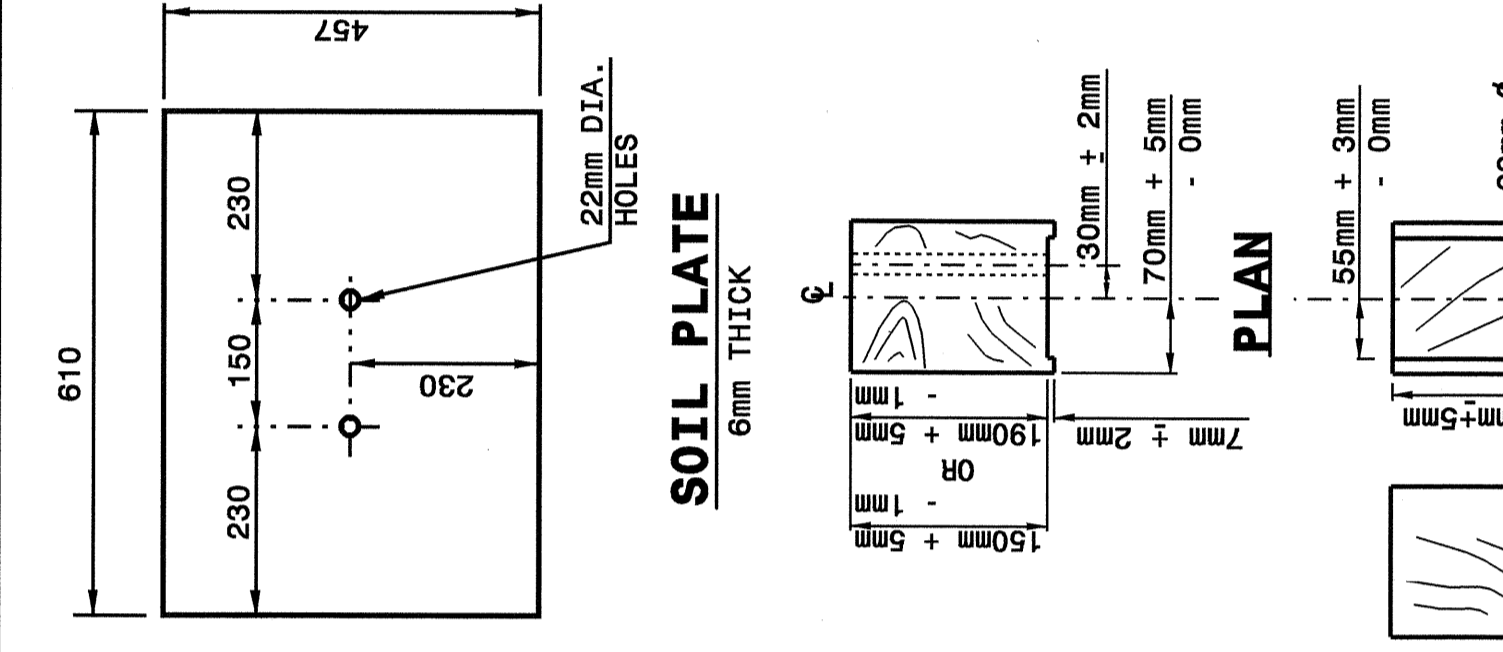
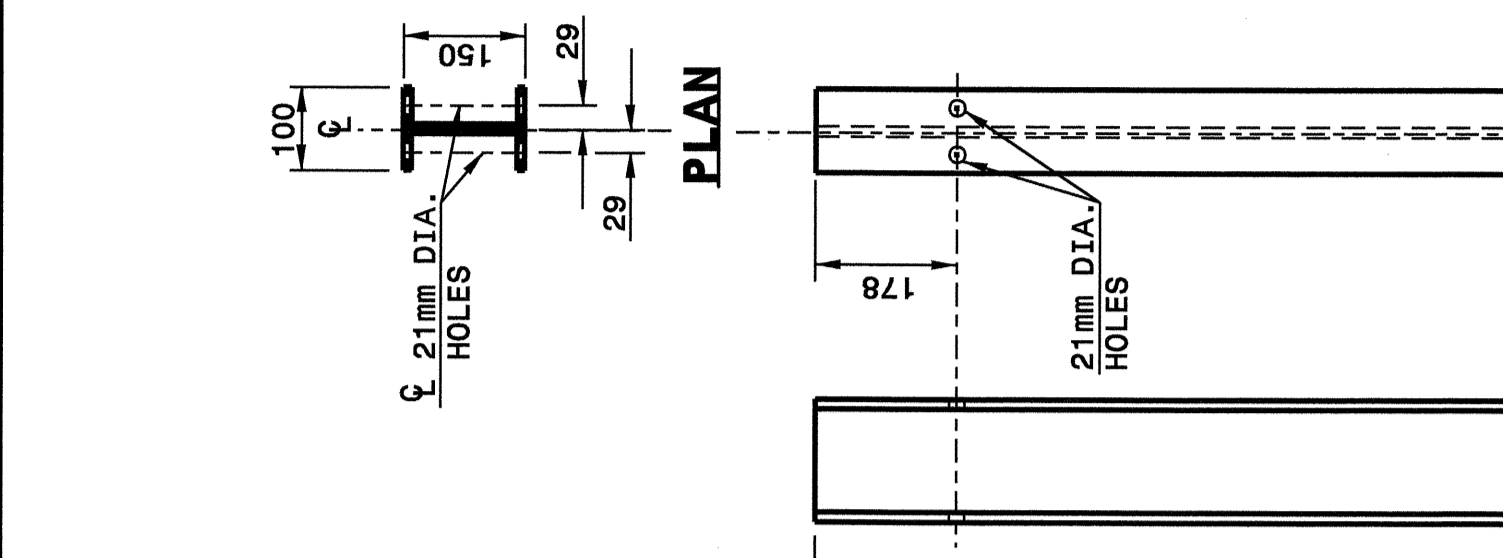
METRIC DETAIL DRAWING FOR
 GUARDRAIL INSTALLATION

SHEET 4 OF 7
862D02

STATE OF
 NORTH CAROLINA
 DEPT. OF TRANSPORTATION
 DIVISION OF HIGHWAYS
 RALEIGH, N.C.

METRIC DETAIL DRAWING FOR
 GUARDRAIL INSTALLATION

SHEET 4 OF 7
862D02



STEEL TUBE
 TS 150mmx200mmx5mm

WOOD OFFSET BLOCK
 (FOR WOOD POSTS)

STANDARD
 LINE POST

SHORT WOOD
 BREAKAWAY POST

BEARING PLATE
 16mm THICK PLATE

SOIL PLATE
 6mm THICK

ROUTED WOOD
 OFFSET BLOCK

"W150" STEEL POST

Note:
 This drawing is dimensioned in millimeters unless otherwise depicted within the drawing.

SYSTEM PARTS

DESIGN SERVICES UNIT
 STANDARDS AND SPECIAL DESIGN
 Office 919-250-4128 FAX 919-250-4119

SEE PLATE FOR TITLE

ORIGINAL BY: 2002 STD.862.02 DATE:
 MODIFIED BY: E.E. WARD DATE: 02-09-03
 CHECKED BY: [Signature] DATE: 5-03
 FILE SPEC.: /usr/stds/02todet/11/metric/86202/862d02m.dgn

