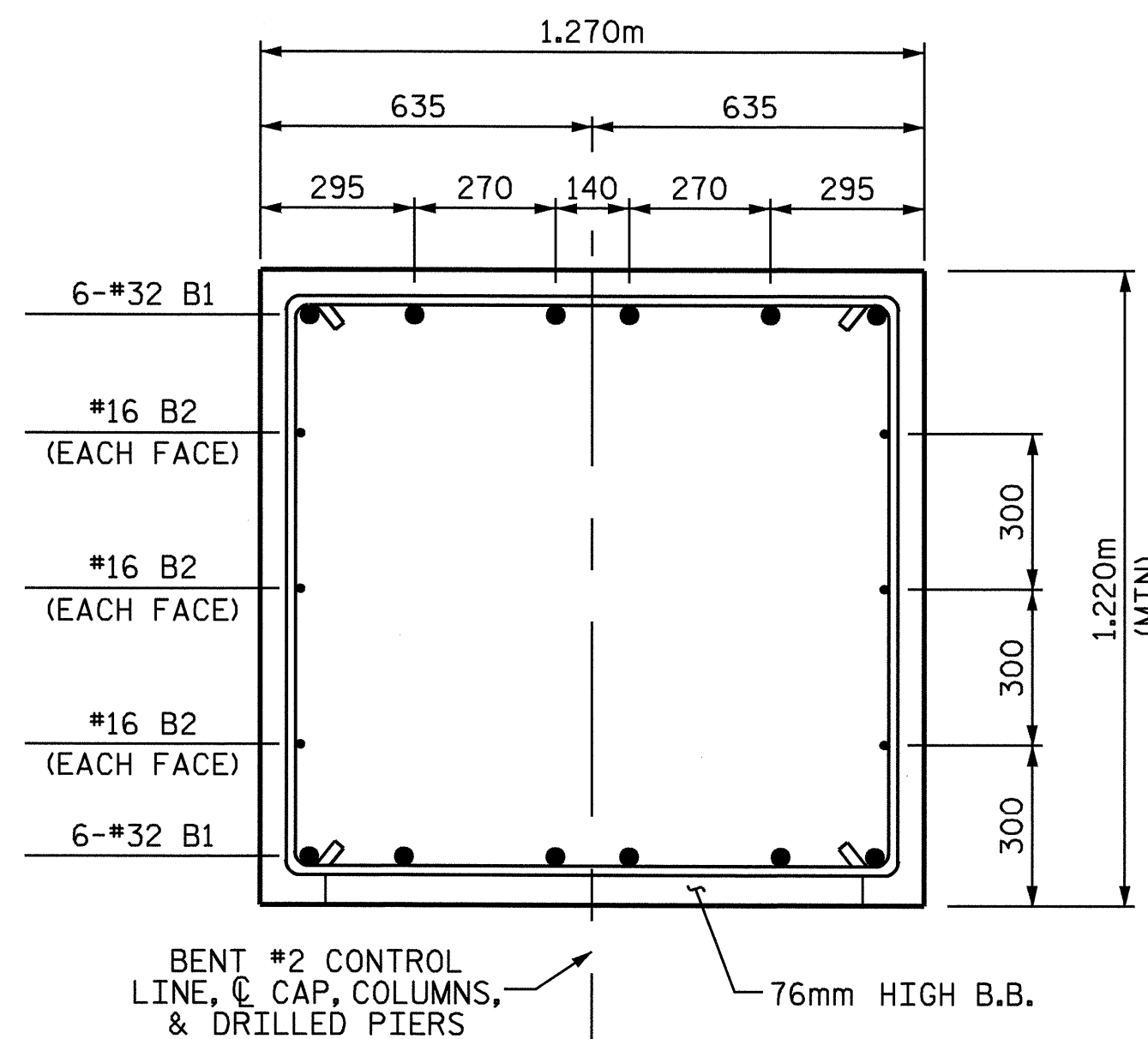
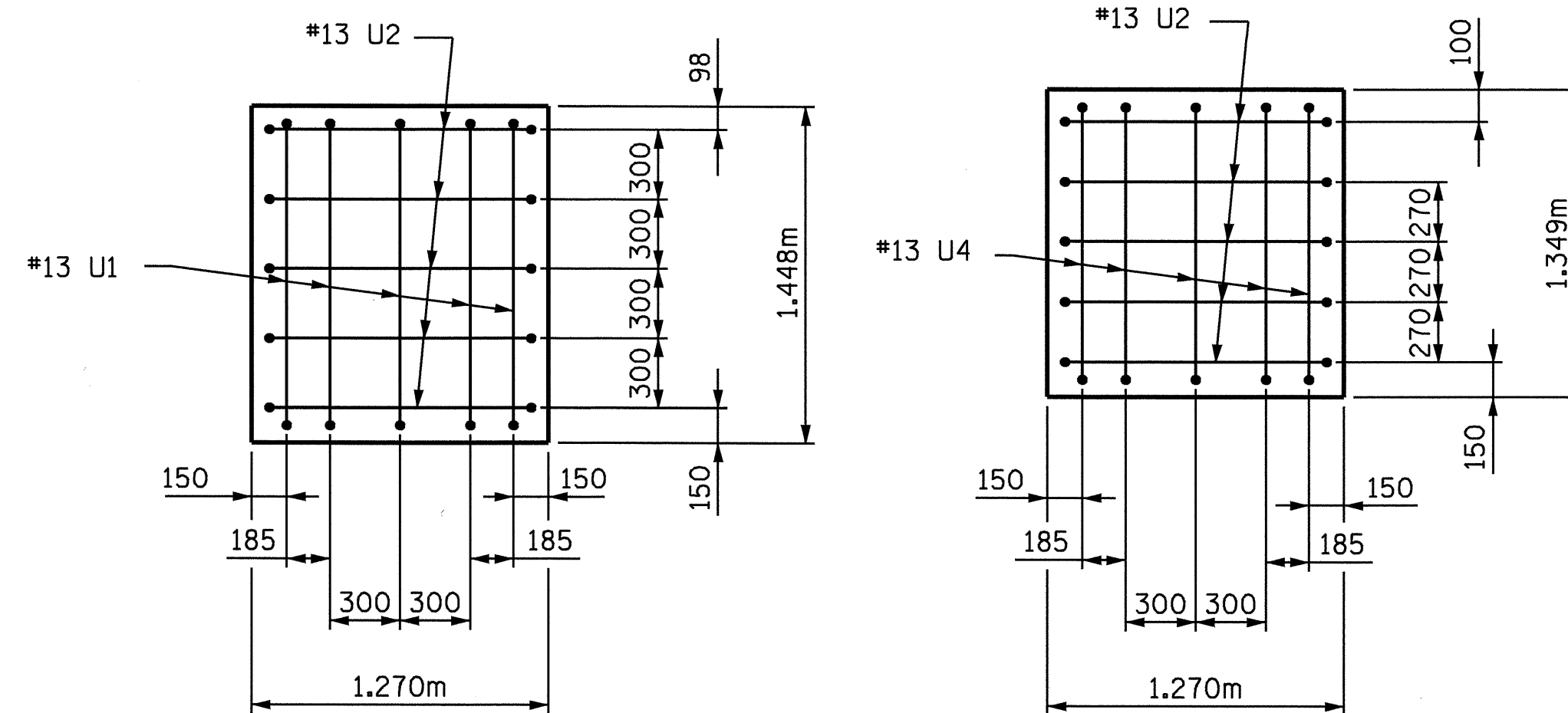


END ELEVATION

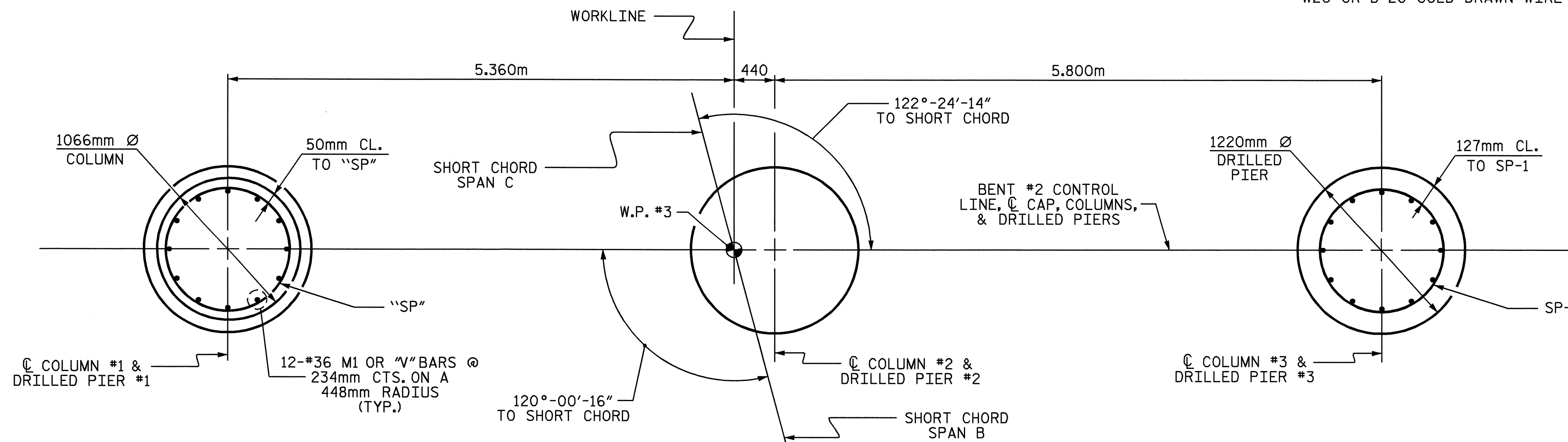


SECTION X-X



LEFT END VIEW

RIGHT END VIEW

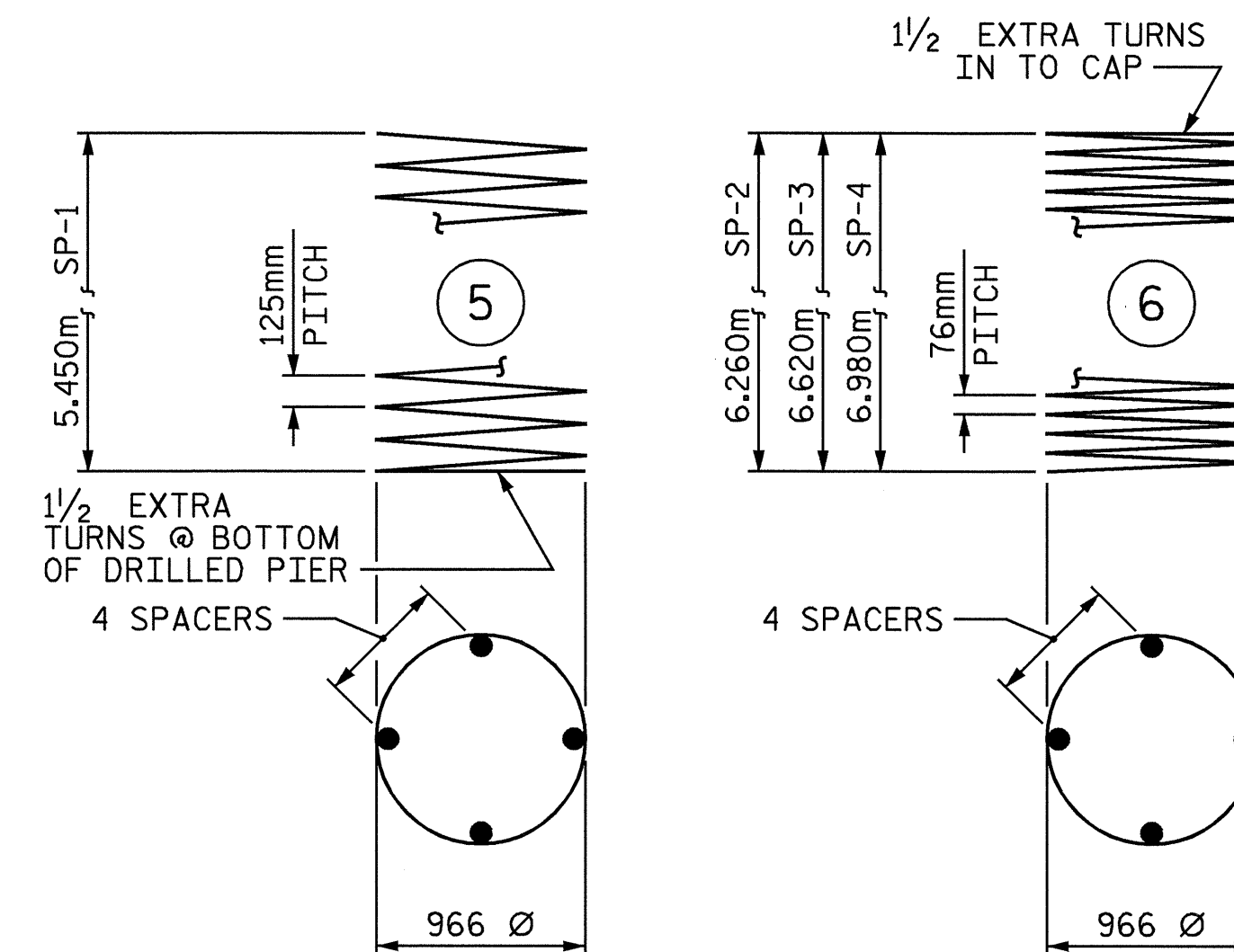
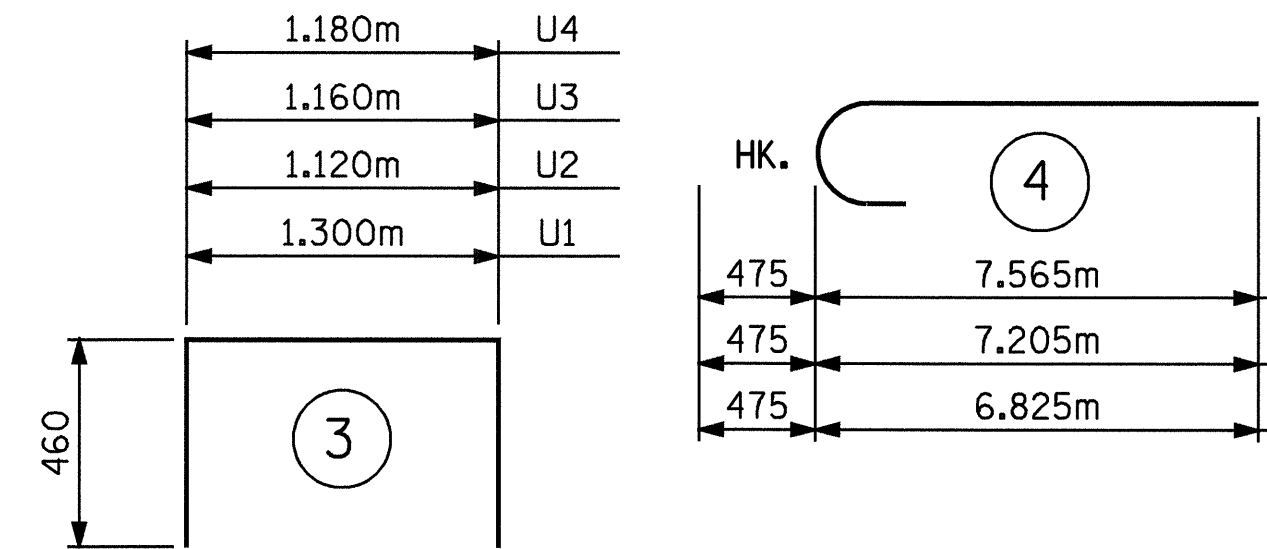
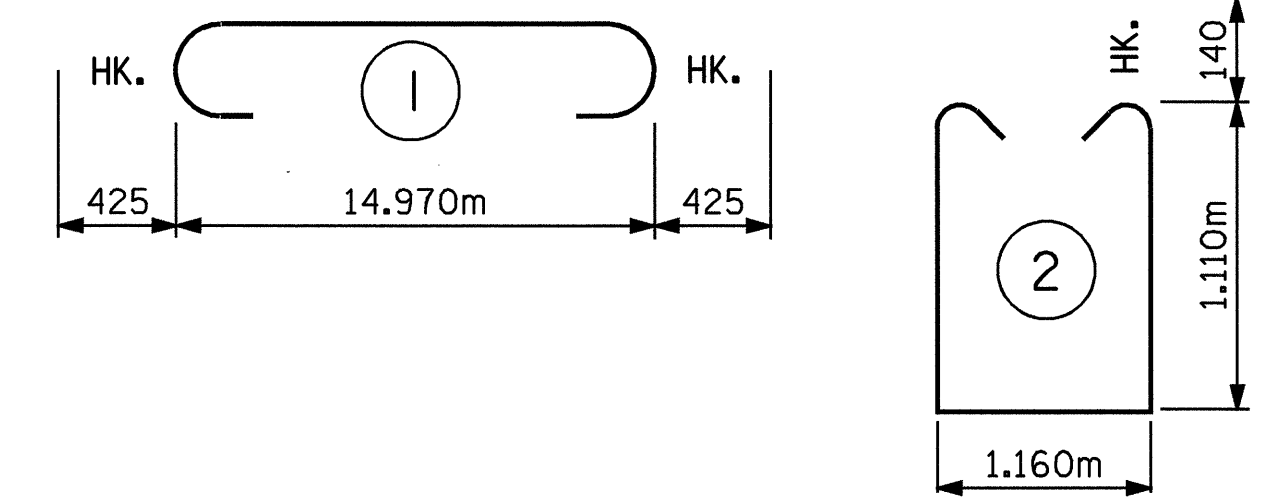


PLAN OF COLUMNS AND DRILLED PIERS

REINFORCING STEEL AND DIMENSIONS ARE TYPICAL FOR ALL COLUMNS AND DRILLED PIERS.

DRAWN BY : D. G. ELY DATE : 12/03
 CHECKED BY : A. B. NAIK DATE : 1/8/04

BAR TYPES



ALL BAR DIMENSIONS ARE OUT TO OUT.

** THE SP-1 SPIRAL REINFORCING STEEL SHALL BE W31 OR D-31 COLD DRAWN WIRE OR #16 PLAIN OR DEFORMED BAR.
 *** THE SP-2, SP-3, & SP-4 SPIRAL REINFORCING STEEL SHALL BE W20 OR D-20 COLD DRAWN WIRE OR #13 PLAIN OR DEFORMED BAR.

BILL OF MATERIAL

BENT #2

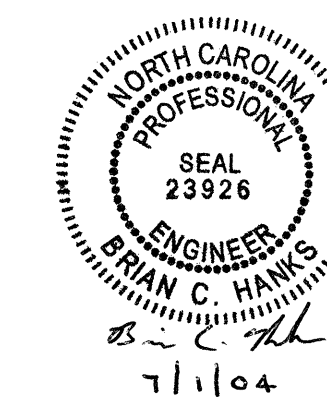
BAR	NO.	SIZE	TYPE	LENGTH	WEIGHT
B1	12	32		15820	1216
B2	6	16	STR	14980	139
B3	6	13	STR	2180	13
B4	18	13	STR	1900	34
B5	6	13	STR	1220	7
M1	36	36	STR	8700	2476
S1	44	16	2	3660	250
U1	5	13	3	2220	11
U2	10	13	3	2040	20
U3	46	13	3	2080	95
U4	5	13	3	2100	10
V1	12	36	4	7300	693
V2	12	36	4	7680	729
V3	12	36	4	8040	763
REINFORCING STEEL				kg	6456
SP-1	3	**	5	134440	626
SP-2	1	***	6	254580	253
SP-3	1	***	6	269540	268
SP-4	1	***	6	284520	283
SPIRAL REINFORCING STEEL				kg	1430
CLASS A CONCRETE					
POUR #2: COLUMNS					17.5 m ³
POUR #3: CAP					25.5 m ³
TOTAL					43.0 m ³
1220mm Ø DRILLED PIERS					
POUR #1: DRILLED PIER CONCRETE					19.6 m ³
1220mm Ø DRILLED PIERS IN SOIL					8.8 METERS
1220mm Ø DRILLED PIERS NOT IN SOIL					8.0 METERS
CSL TUBES					77.4 METERS

PROJECT NO. B-1019
 ANSON COUNTY
 STATION: 14+94.156 -L-

SHEET 2 OF 2

STATE OF NORTH CAROLINA
 DEPARTMENT OF TRANSPORTATION
 RALEIGH

SUBSTRUCTURE
 BENT #2



REVISIONS						SHEET NO.
NO.	BY:	DATE:	NO.	BY:	DATE:	S-27
1			3			TOTAL SHEETS
2			4			35