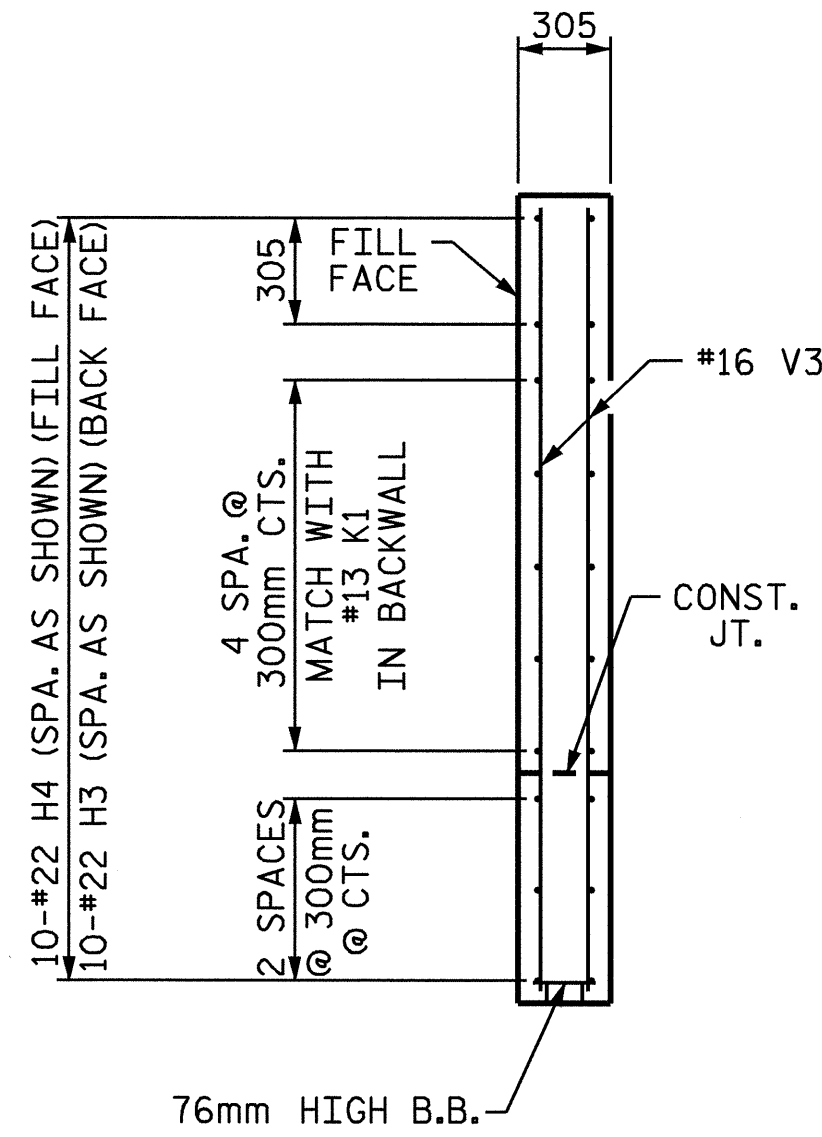
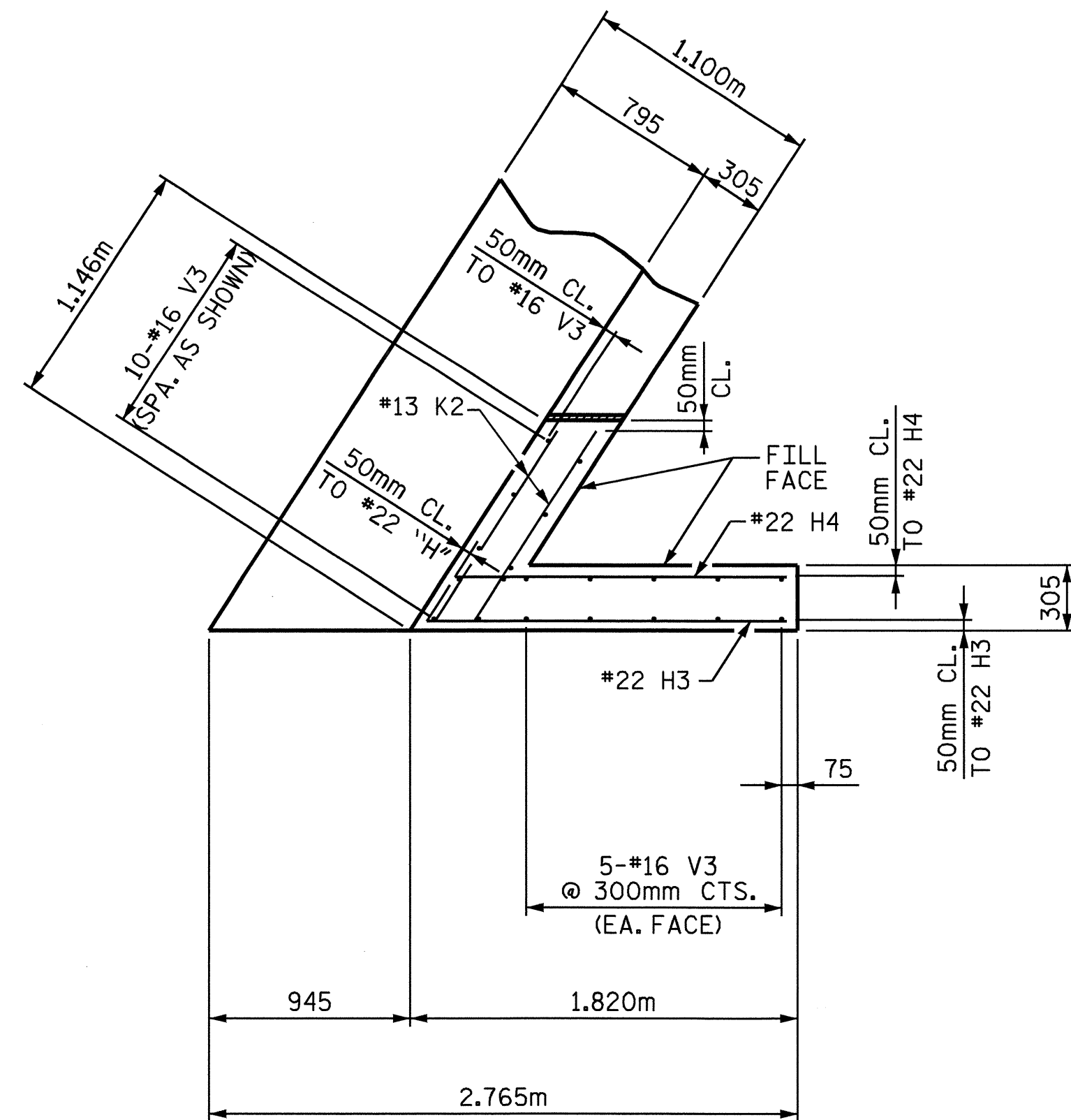


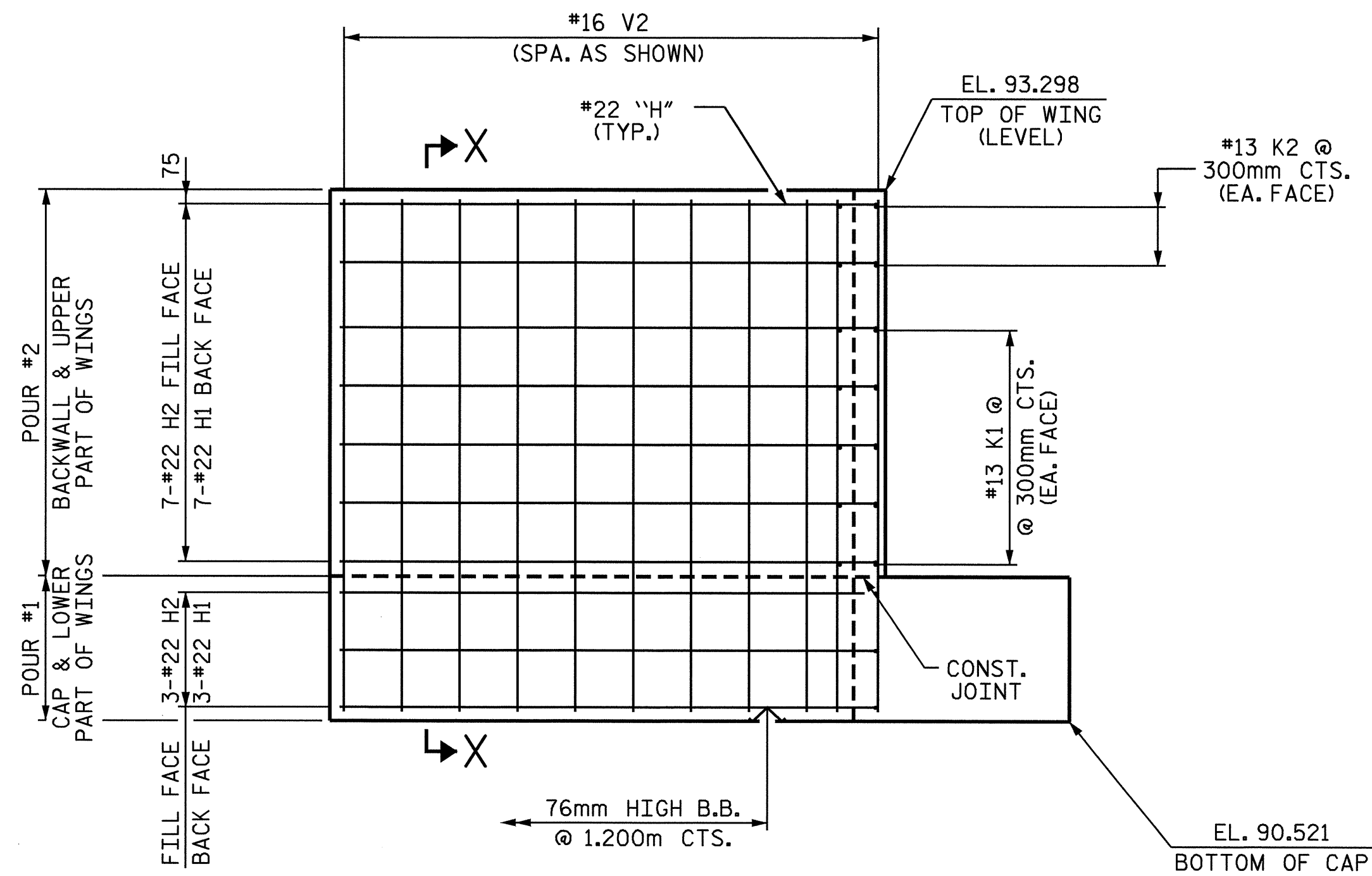
PLAN OF LEFT WING - W1



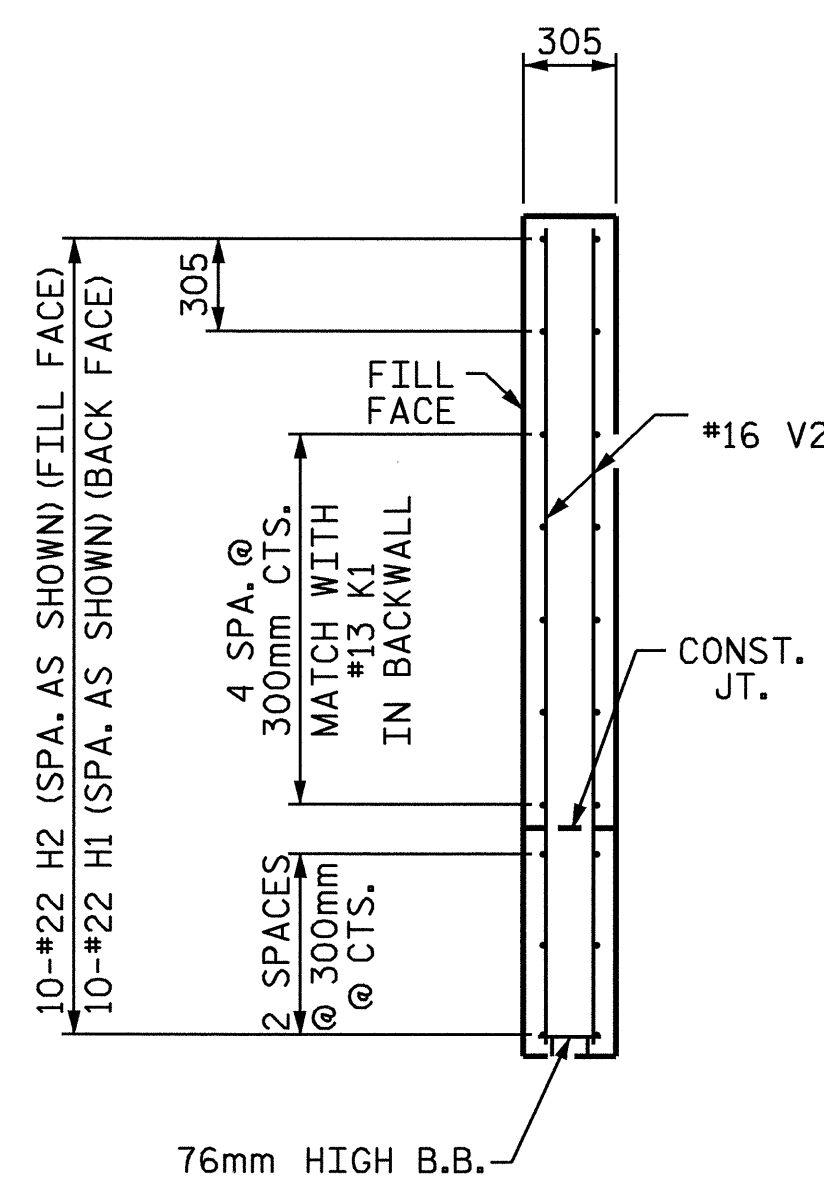
SECTION Y-Y



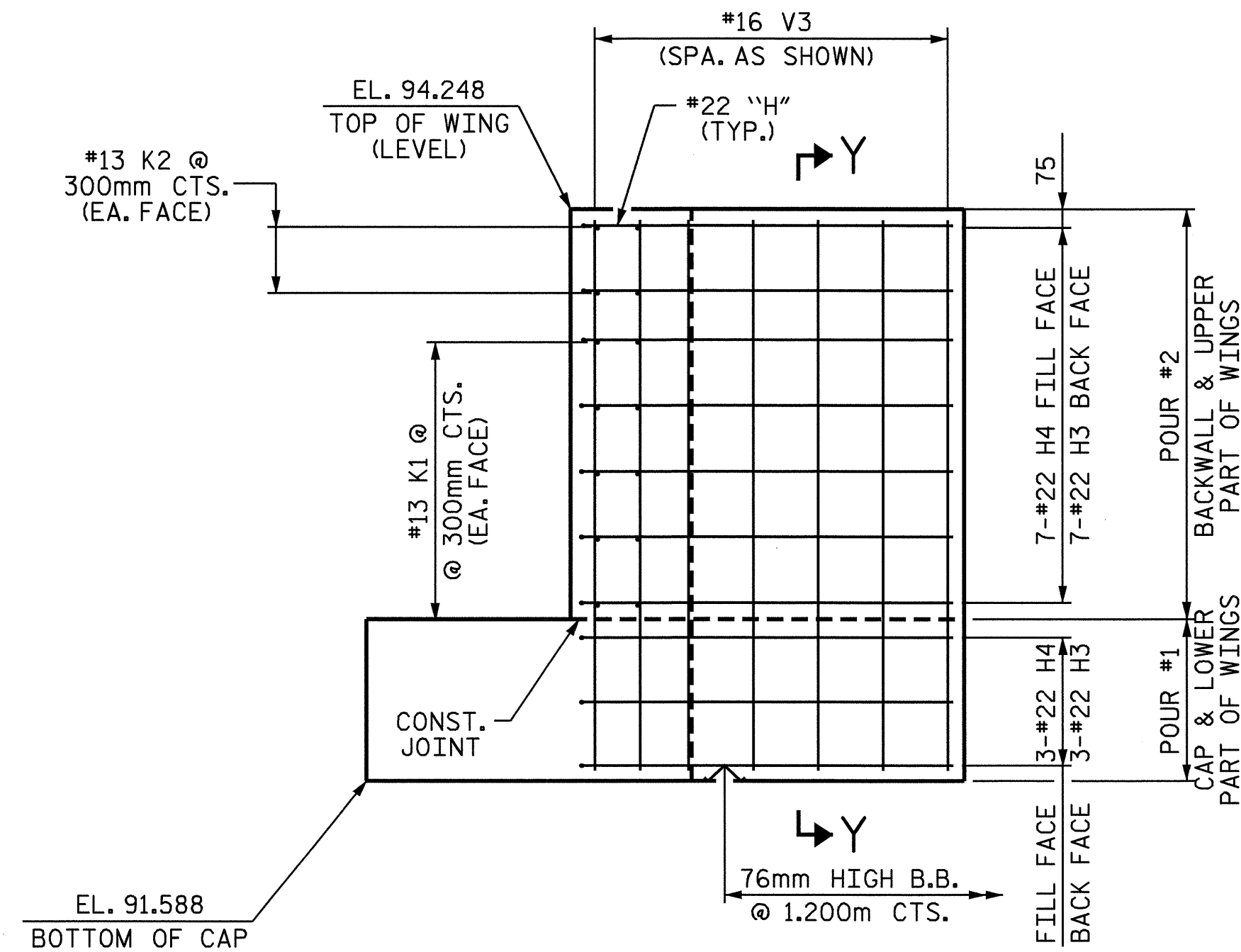
PLAN OF RIGHT WING - W2



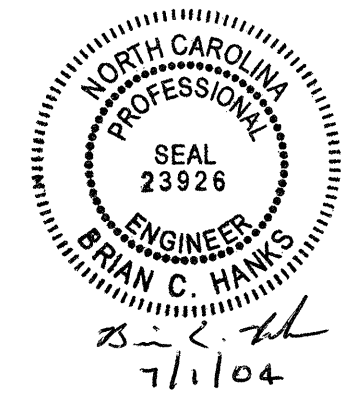
ELEVATION OF LEFT WING - W1



SECTION X-X



ELEVATION OF RIGHT WING - W2



PROJECT NO. B-1019
 ANSON COUNTY
 STATION: 14+94.156 -L-
 SHEET 2 OF 3

STATE OF NORTH CAROLINA
 DEPARTMENT OF TRANSPORTATION
 RALEIGH
 SUBSTRUCTURE
 END BENT #2

DRAWN BY: D. G. ELY DATE: 11/03
 CHECKED BY: A. B. NAIK DATE: 1/15/04

30-JUN-2004 15:41

wpark

REVISIONS						SHEET NO. S-29
NO.	BY:	DATE:	NO.	BY:	DATE:	
1			3			TOTAL SHEETS 35
2			4			