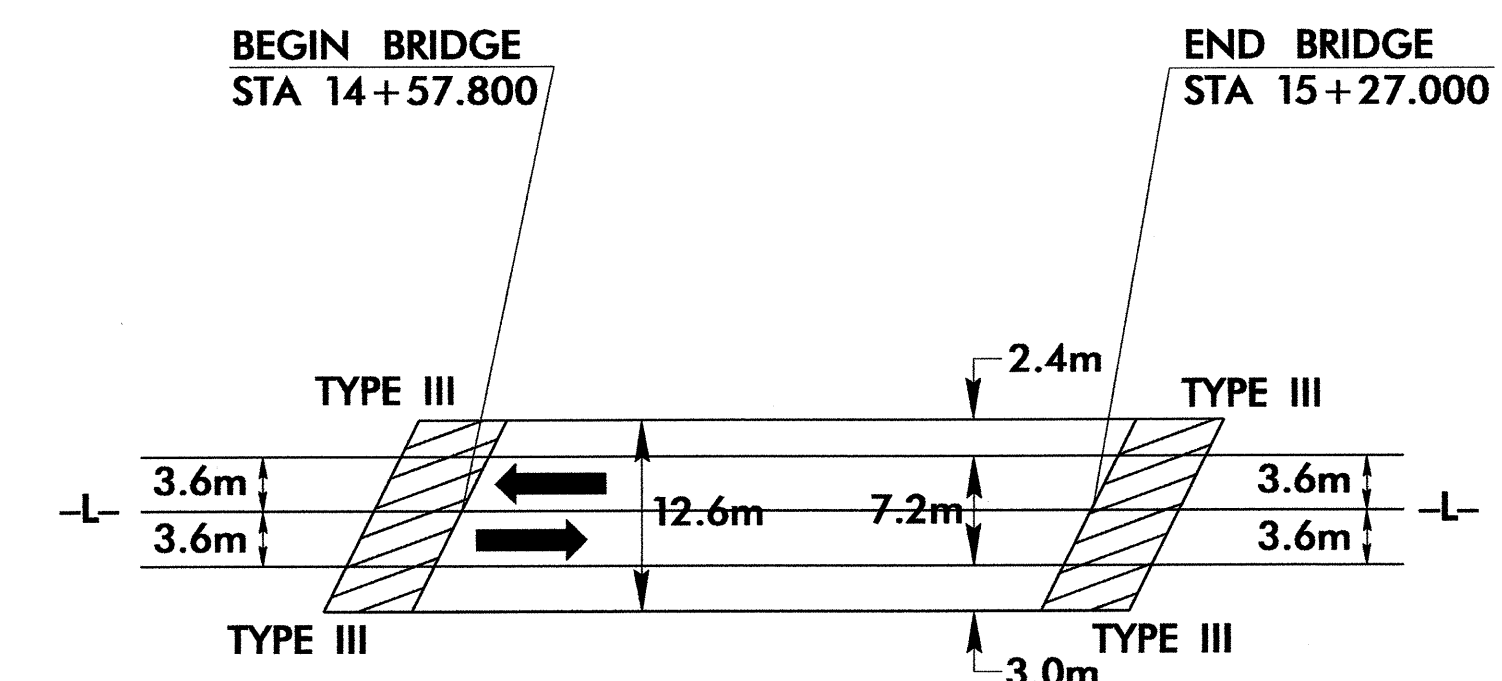
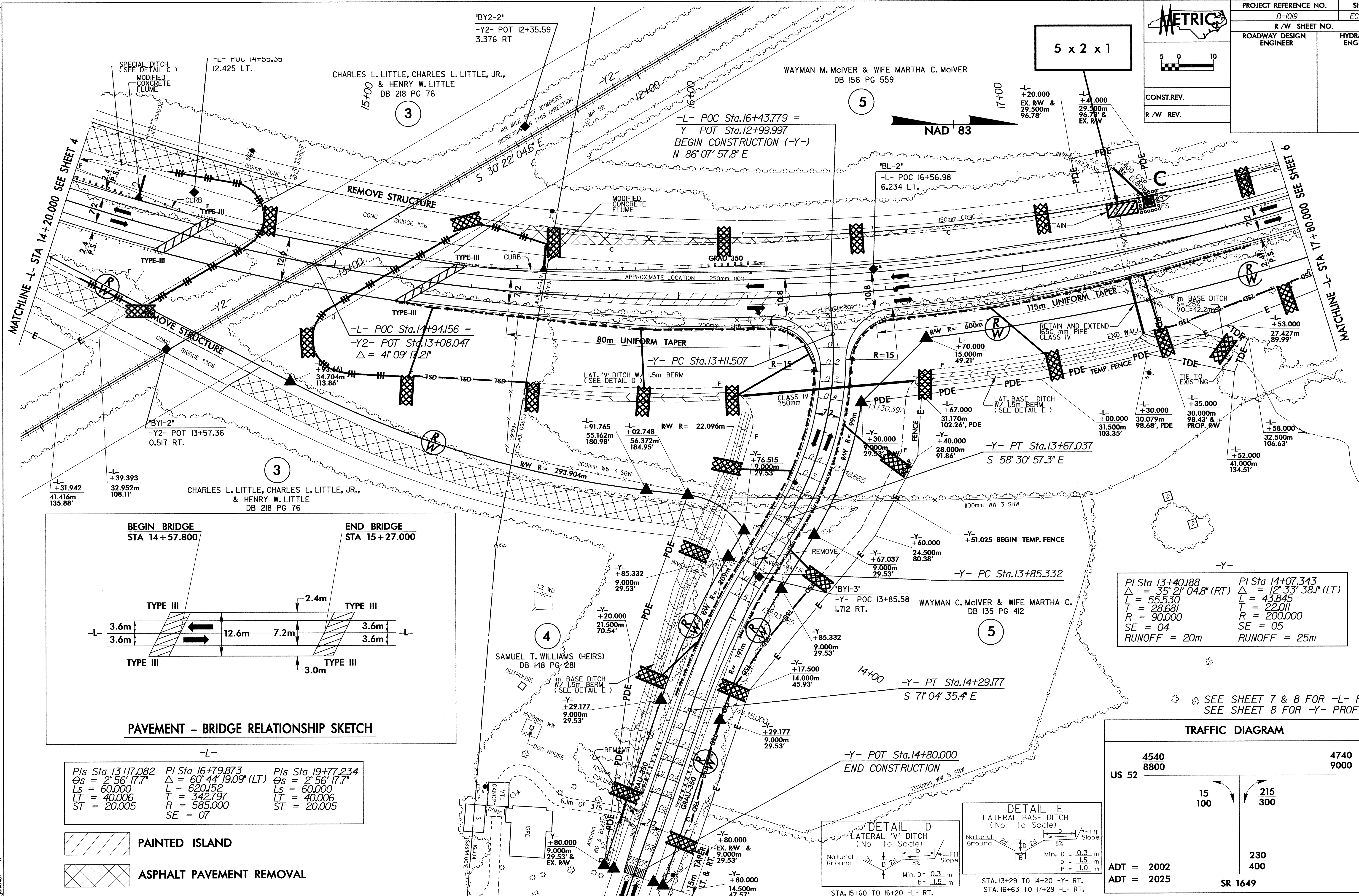


PROJECT REFERENCE NO. B-1019	SHEET NO. EC-7/CONST.5
R/W SHEET NO.	
ROADWAY DESIGN ENGINEER	HYDRAULICS ENGINEER

5 x 2 x 1

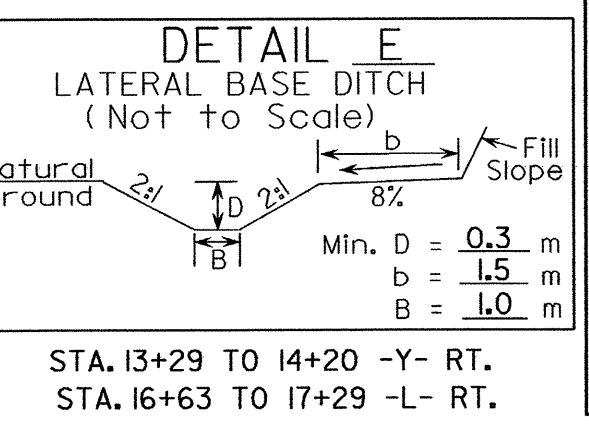
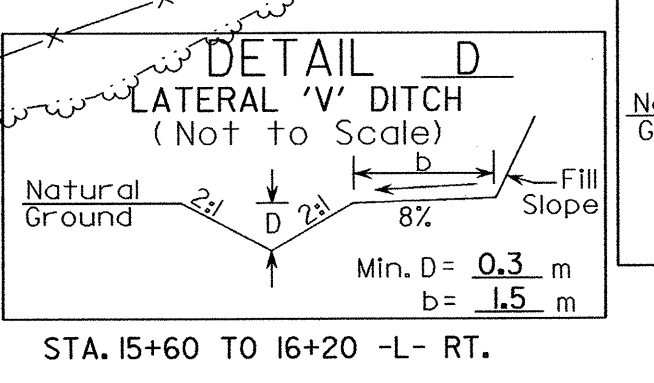
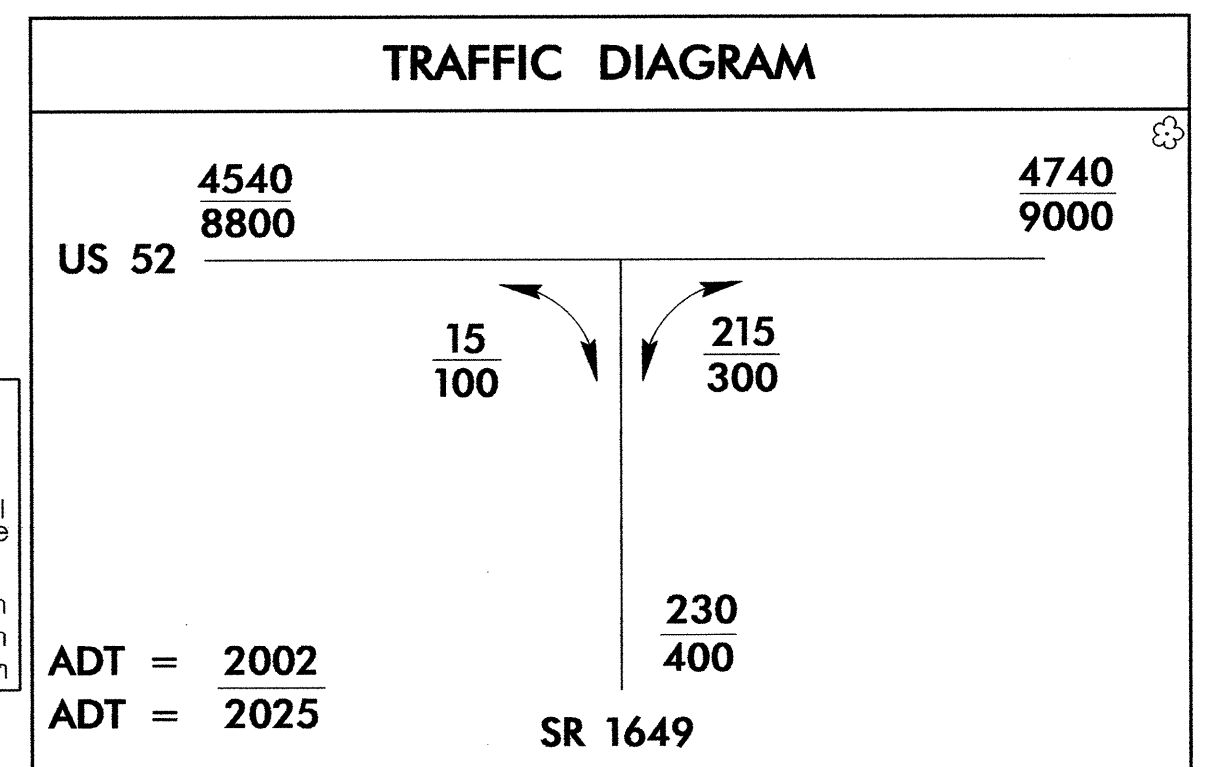
NAD 83



PIs Sta 13+17.082 Os = 2' 56" 17.7" Ls = 60.000 LT = 40.006 ST = 20.005	PI Sta 16+79.873 Δ = 60' 44" 19.09" (LT) L = 620.152 T = 342.797 R = 585.000 SE = 07	PIs Sta 19+77.234 Os = 2' 56" 17.7" Ls = 60.000 LT = 40.006 ST = 20.005
---	---	---

- PAINTED ISLAND
- ASPHALT PAVEMENT REMOVAL

PI Sta 13+40.188 Δ = 35' 21" 04.8" (RT) L = 55.530 T = 28.681 R = 90.000 SE = 04 RUNOFF = 20m	PI Sta 14+07.343 Δ = 12' 33" 38.1" (LT) L = 43.845 T = 22.011 R = 200.000 SE = 05 RUNOFF = 25m
---	--



06-MAY-2004 15:51:10 1510190505.pnt