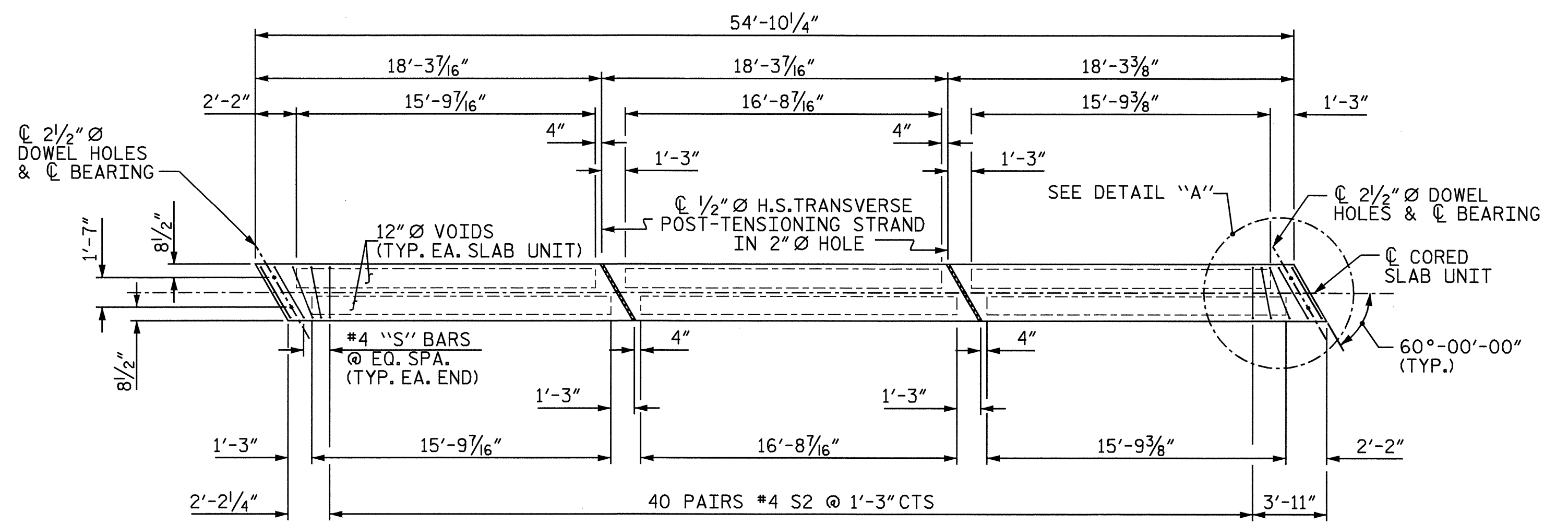
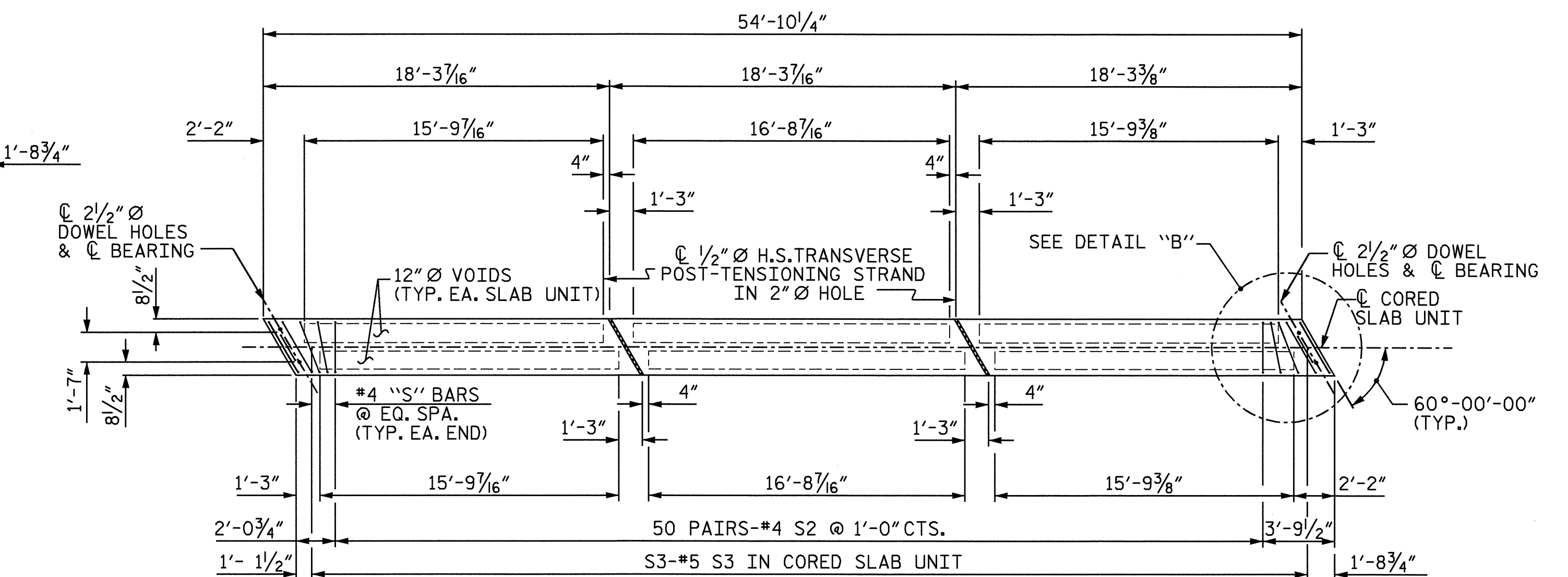


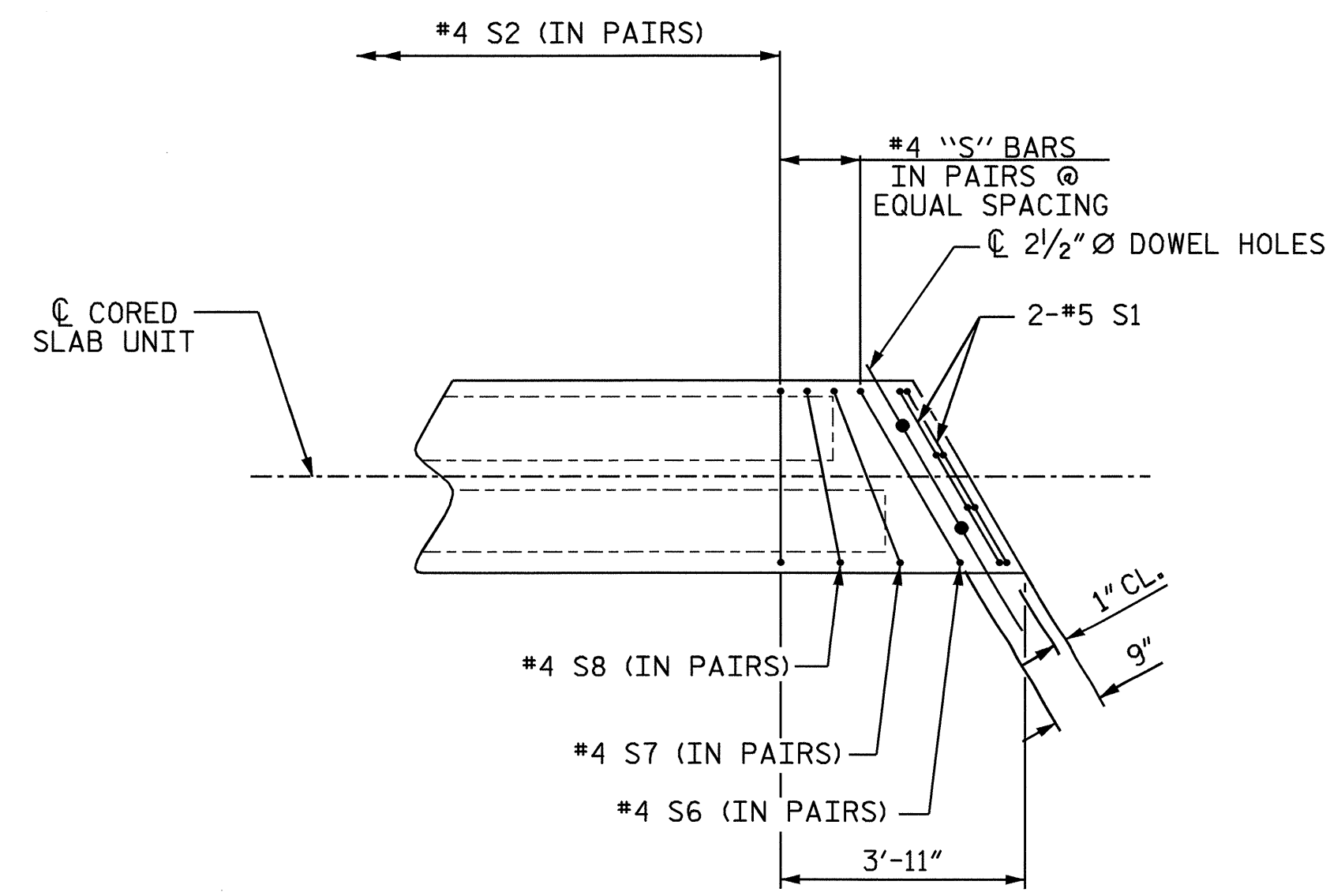
PLAN OF SPAN B



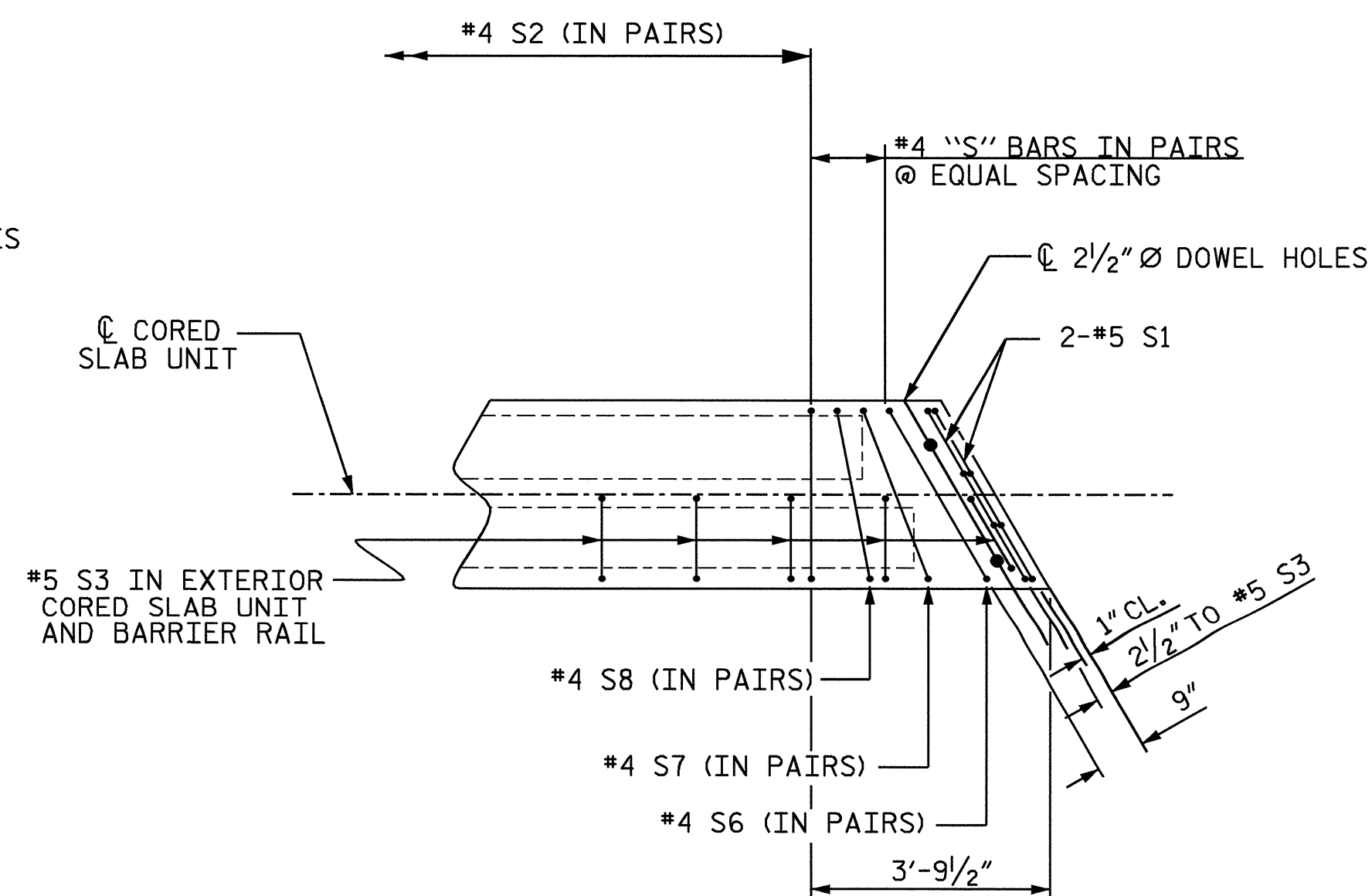
PLAN OF INTERIOR SLAB



PLAN OF EXTERIOR SLAB



DETAIL "A"
(SIMILAR EA. END)



DETAIL "B"
(SIMILAR EA. END)

DRAWN BY : R. G. EMERSON DATE : 1/04
 CHECKED BY : A. V. ROYAL DATE : 2/04

21-JUL-2004 08:12
 W:\sqadw\3901\emerson\Microstation\B3901.sd.CS.01.dgn
 dpetrey



PROJECT NO. B-3901
ROCKINGHAM COUNTY
 STATION: 23+37.40 -L-

SHEET 3 OF 5

STATE OF NORTH CAROLINA
 DEPARTMENT OF TRANSPORTATION
 RALEIGH
 SUPERSTRUCTURE
 PLAN OF SPAN B

REVISIONS				SHEET NO.	
NO.	BY:	DATE:	NO.	BY:	DATE:
1			3		
2			4		

S-6
TOTAL SHEETS
22