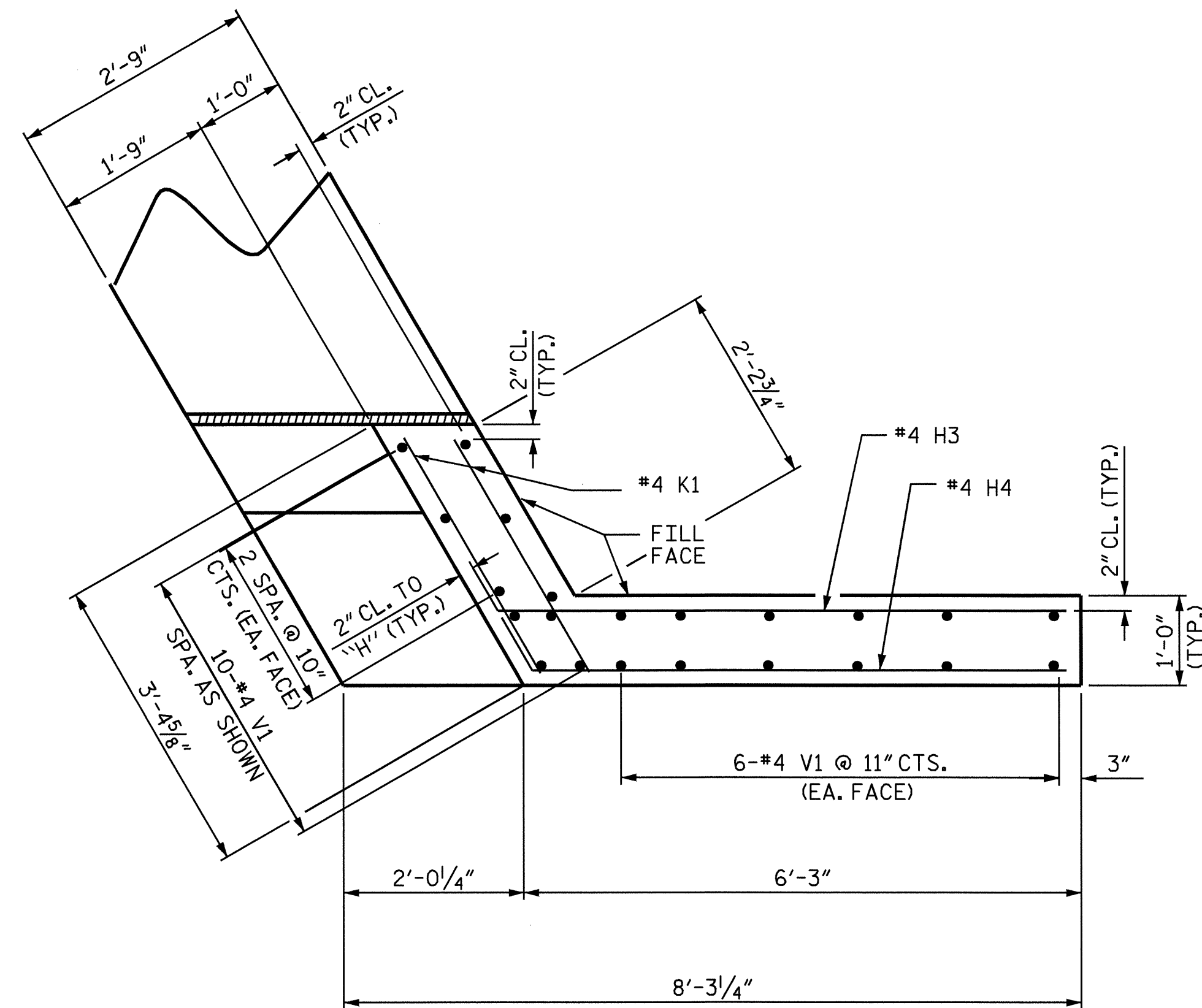
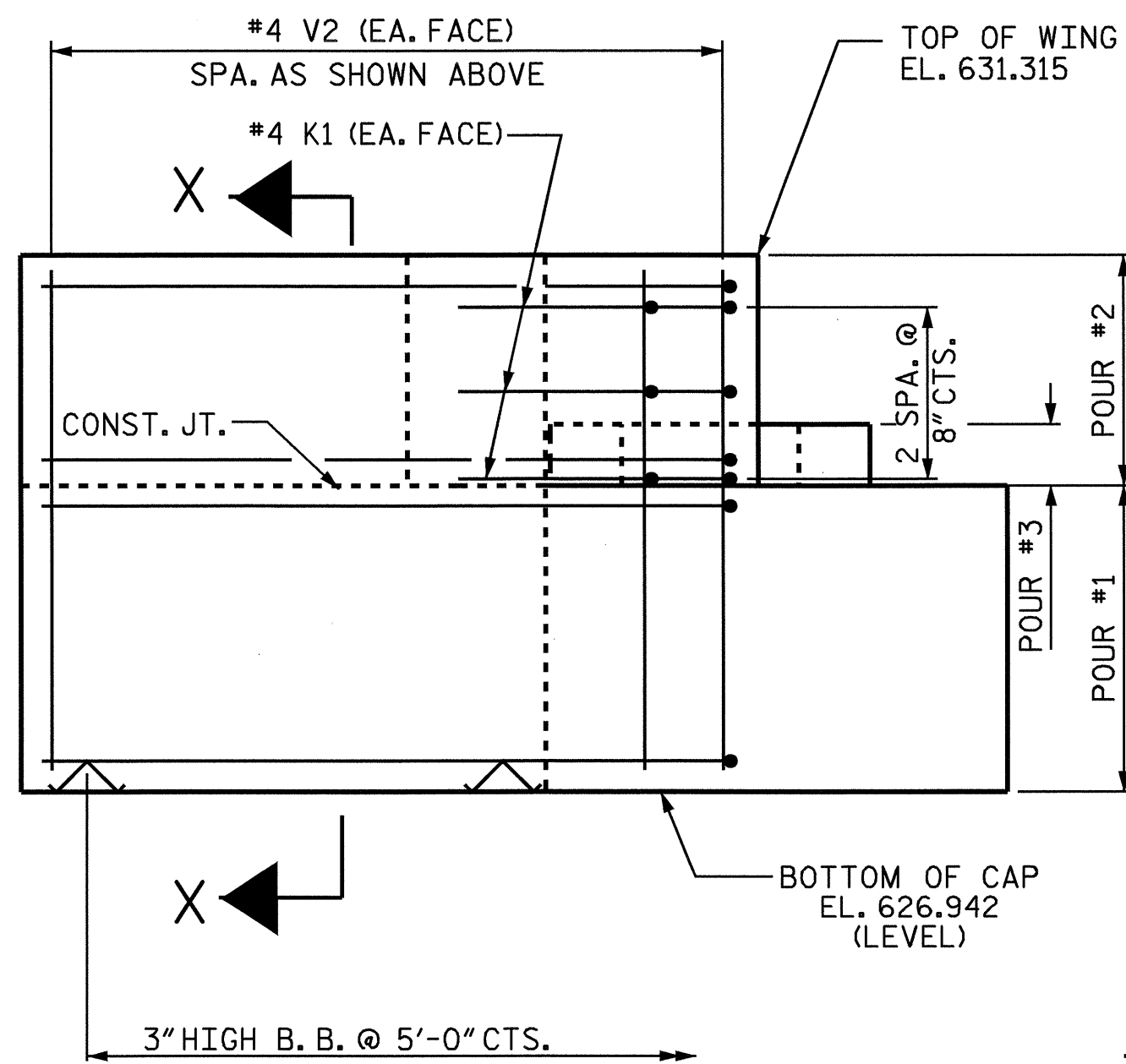


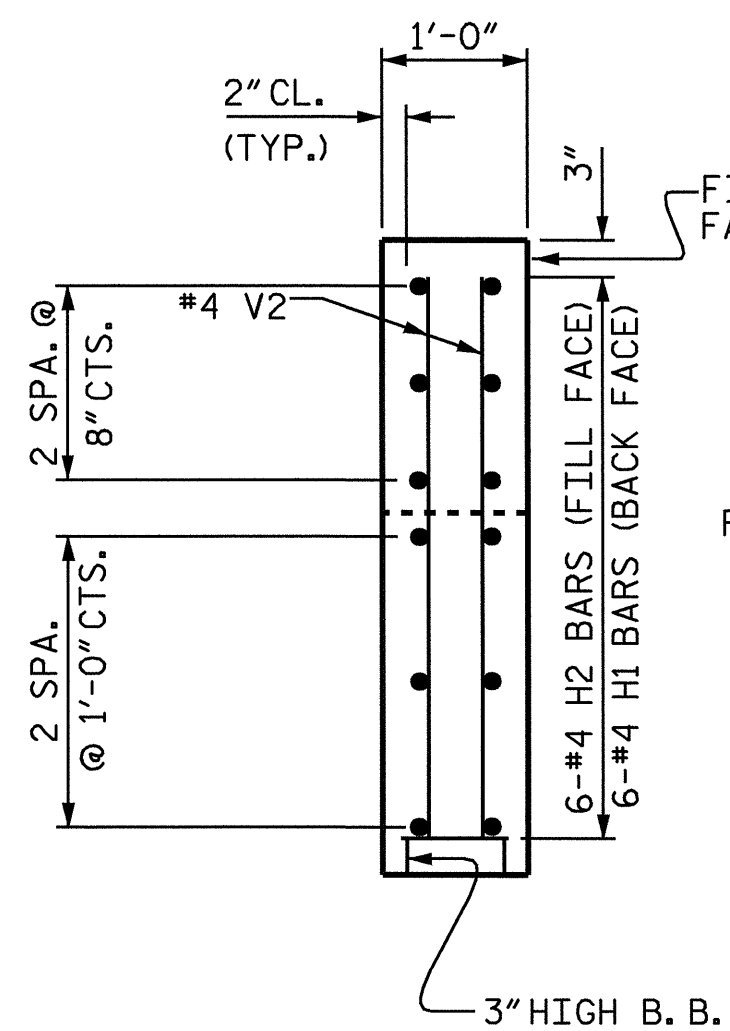
PLAN OF WING (W1)



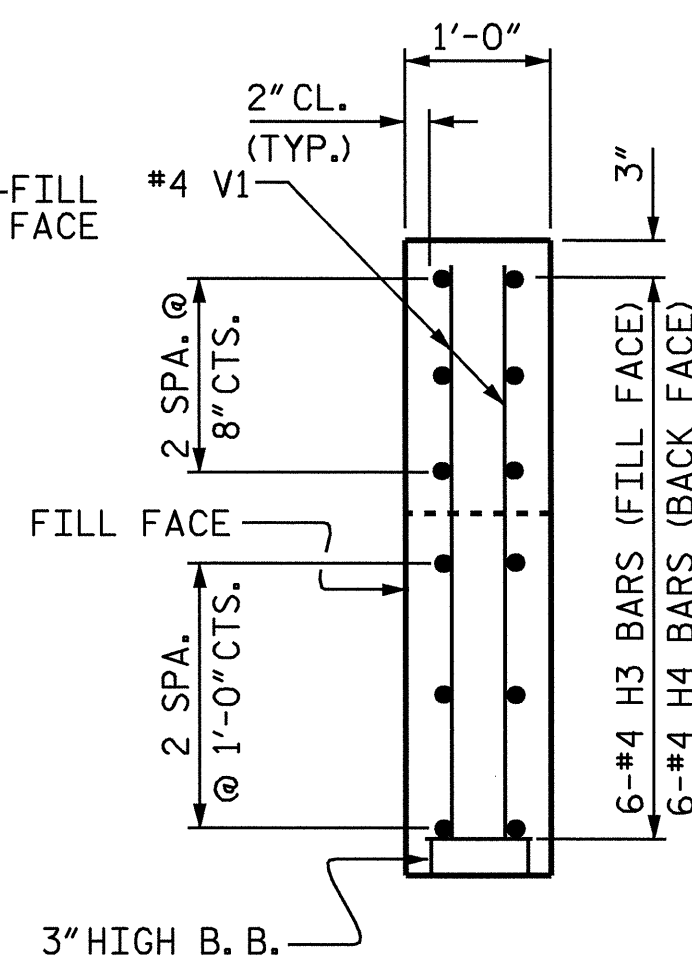
PLAN OF WING (W2)



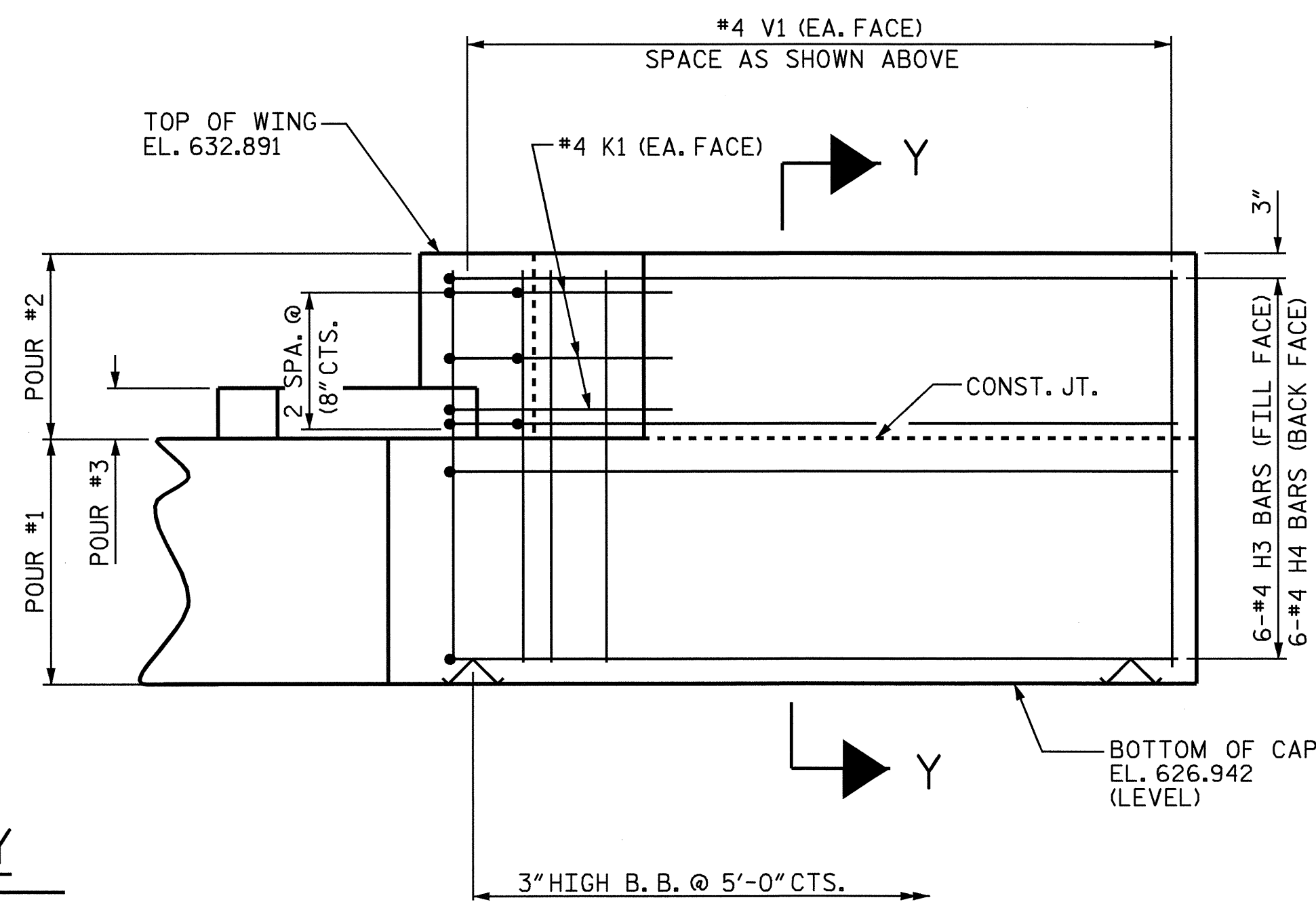
ELEVATION OF WING (W1)



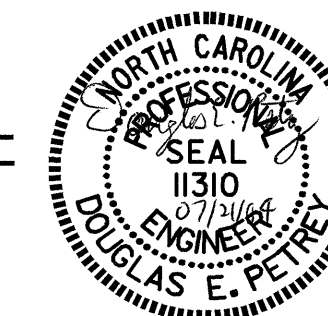
SECTION X-X



SECTION Y-Y



ELEVATION OF WING (W2)



PROJECT NO. B-3901
ROCKINGHAM COUNTY
 STATION: 23+37.40 -L-

SHEET 2 OF 3

STATE OF NORTH CAROLINA
 DEPARTMENT OF TRANSPORTATION
 RALEIGH
 SUBSTRUCTURE
 END BENT No. 2

REVISIONS				SHEET NO.	
NO.	BY:	DATE:	NO.	BY:	DATE:
1			3		
2			4		
TOTAL SHEETS					22

DRAWN BY: R. G. EMERSON DATE: 03/04
 CHECKED BY: A. V. ROYAL DATE: 03/04

21-JUL-2004 08:17
 W:\squadw\b3901\remerson\lmcrostation\B3901.ed.EB.02.dgn
 dpetry