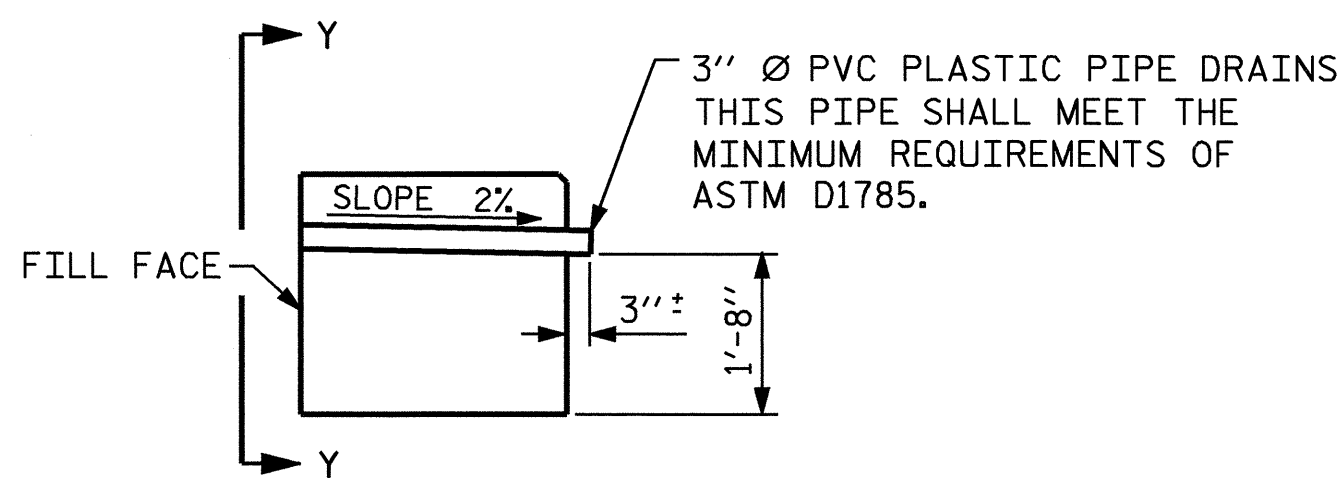


BAGGED STONE AND PIPE SHALL BE PLACED IMMEDIATELY AFTER COMPLETION OF END BENT EXCAVATION. PIPE MAY BE EITHER CONCRETE, CORRUGATED STEEL, CORRUGATED ALUMINUM ALLOY, OR CORRUGATED PLASTIC. PERFORATED PIPE WILL NOT BE ALLOWED.

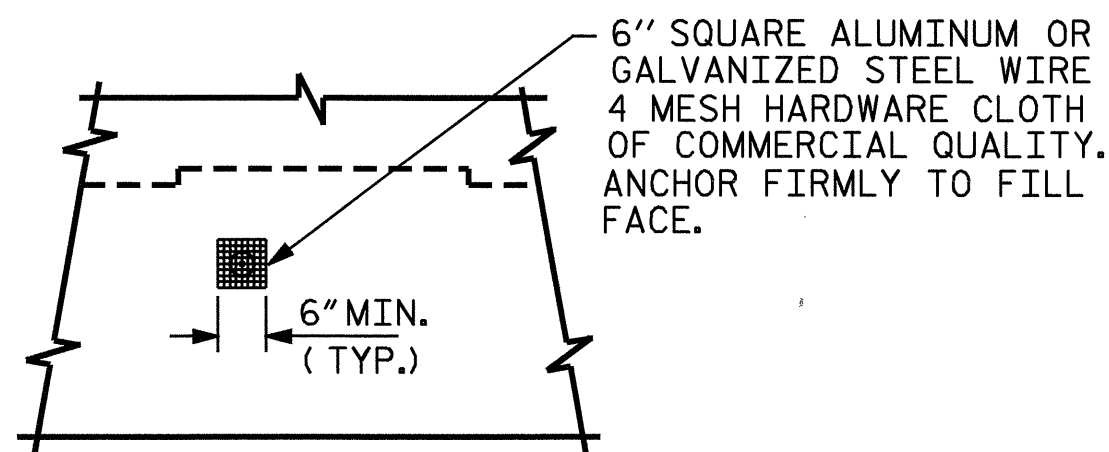
BAGGED STONE SHALL REMAIN IN PLACE UNTIL THE ENGINEER DIRECTS THAT IT BE REMOVED. STEEL, CORRUGATED ALUMINUM ALLOY, OR CORRUGATED PLASTIC, PERFORATED END BENT EXCAVATION. PIPE MAY BE EITHER CONCRETE, CORRUGATED IT BE REMOVED. THE CONTRACTOR SHALL REMOVE AND DISPOSE OF SILT ACCUMULATIONS AT BAGGED STONE WHEN SO DIRECTED BY THE ENGINEER. BAGS SHALL BE REMOVED AND REPLACED WHENEVER THE ENGINEER DETERMINES THAT THEY HAVE DETERIORATED AND LOST THEIR EFFECTIVENESS.

NO SEPARATE PAYMENT WILL BE MADE FOR THIS WORK AND THE ENTIRE COST OF THIS WORK SHALL BE INCLUDED IN THE UNIT CONTRACT PRICE BID FOR THE SEVERAL PAY ITEMS.

TEMPORARY DRAINAGE AT END BENT



SECTION THRU CAP

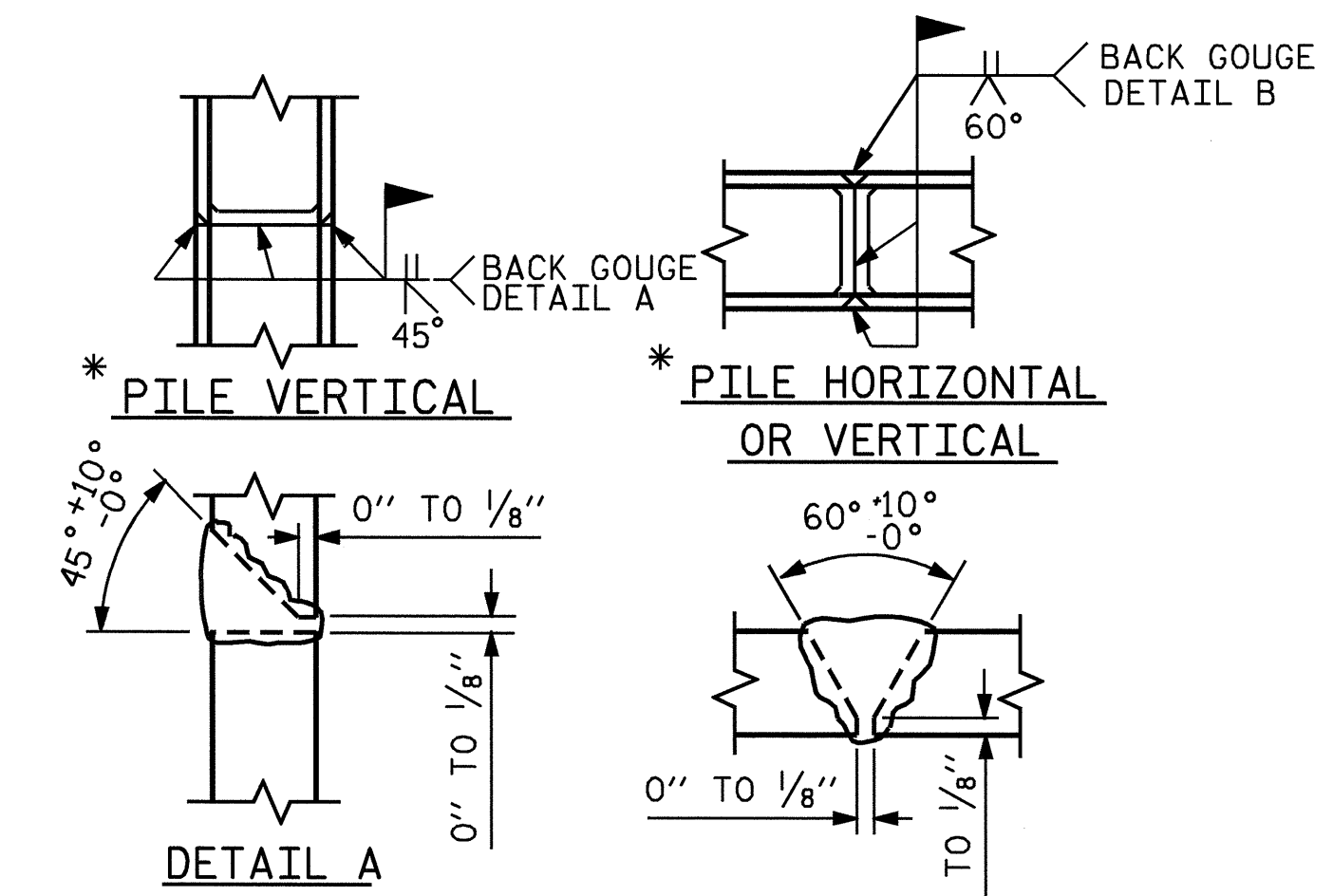


VIEW Y-Y

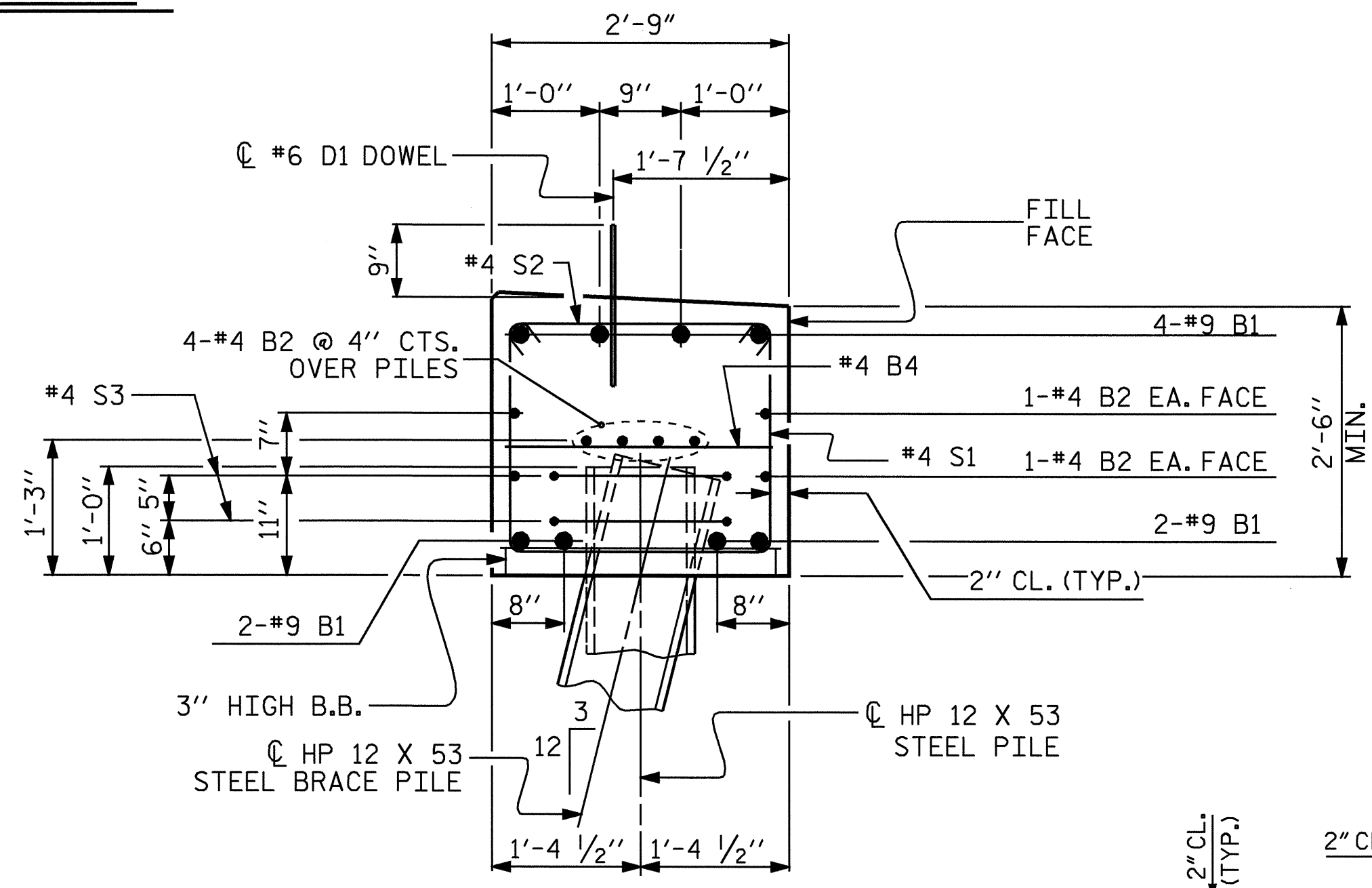
NOTE: NO SEPARATE PAYMENT WILL BE MADE FOR FURNISHING AND INSTALLING THE PVC PLASTIC PIPE DRAINS, HARDWARE CLOTH AND FASTENERS. THE ENTIRE COST OF THIS WORK SHALL BE INCLUDED IN THE UNIT CONTRACT PRICE BID FOR THE SEVERAL PAY ITEMS.

PIPE DRAIN DETAILS

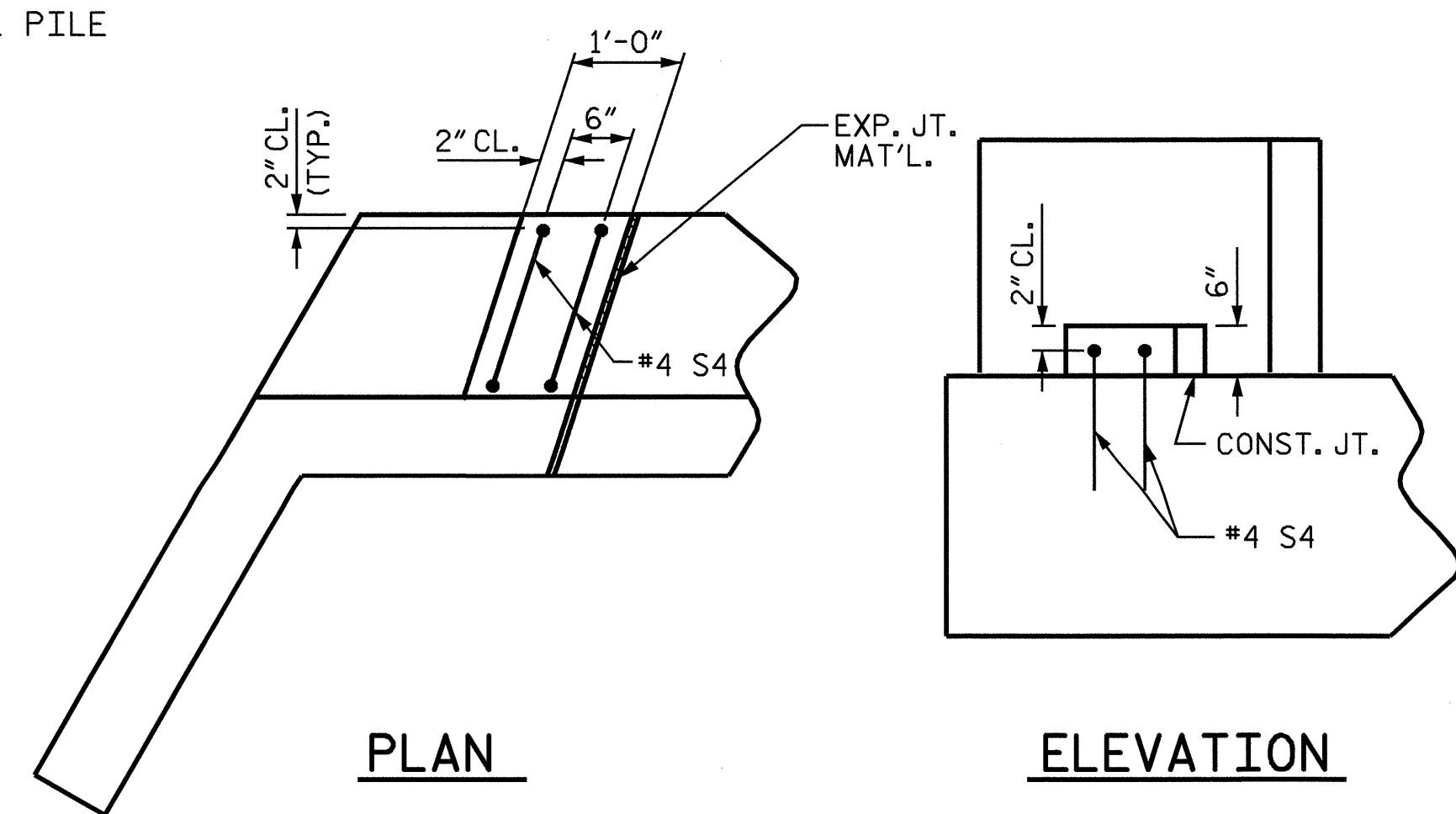
DRAWN BY : R. G. EMERSON DATE : 03/04
 CHECKED BY : A. V. ROYAL DATE : 03/04



* POSITION OF PILE DURING WELDING. **PILE SPLICE DETAILS**



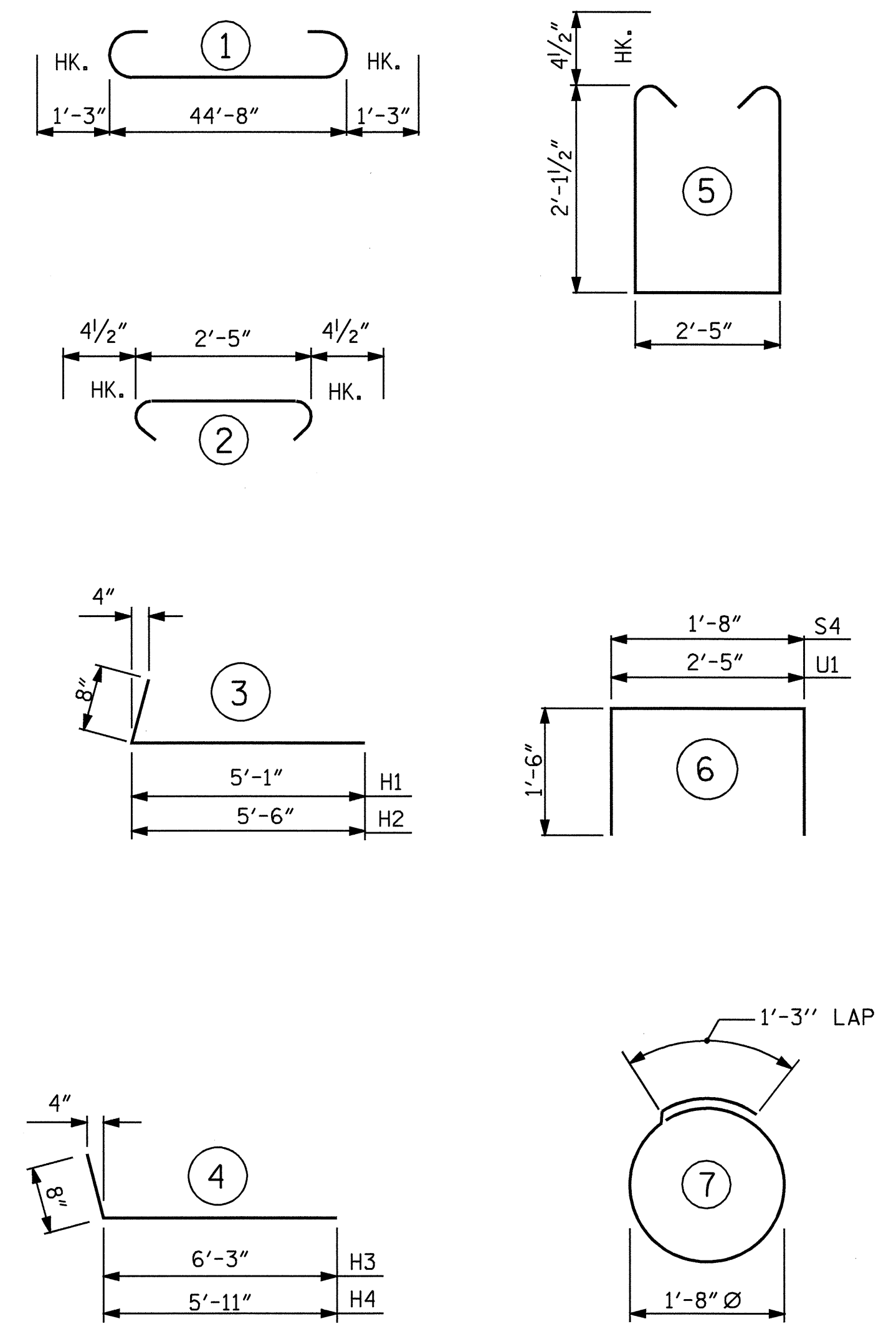
SECTION A-A



LATERAL GUIDE DETAILS

(RIGHT LATERAL GUIDE SHOWN, LEFT LATERAL GUIDE SIMILAR)

BAR TYPES



ALL BAR DIMENSIONS ARE OUT TO OUT.

BILL OF MATERIAL END BENT NO. 2

BAR	NO.	SIZE	TYPE	LENGTH	WEIGHT
B1	8	9	1	47'-2"	1283
B2	16	4	STR	23'-8"	253
B3	4	4	STR	22'-6"	60
B4	11	4	STR	2'-5"	18
D1	22	6	STR	1'-6"	50
H1	6	4	3	5'-9"	23
H2	6	4	3	6'-2"	25
H3	6	4	4	6'-11"	28
H4	6	4	4	6'-7"	26
K1	12	4	STR	3'-0"	24
S1	37	4	5	7'-5"	183
S2	37	4	2	3'-2"	78
S3	16	4	7	6'-6"	69
S4	4	4	6	4'-8"	12
U1	15	4	6	5'-5"	54
V1	22	4	STR	4'-5"	65
V2	20	4	STR	4'-0"	53
REINFORCING STEEL				LBS.	2304

CLASS A CONCRETE BREAKDOWN :

POUR	DESCRIPTION	TOTAL
POUR #1	(CAP & LOWER WINGS)	13.9 C. Y.
POUR #2	(UPPER WINGS)	1.1 C. Y.
POUR #3	(LATERAL GUIDES)	0.1 C. Y.
TOTAL		15.1 C. Y.

HP 12 X 53 STEEL PILES
 NO. 8 160.00 LIN. FT.

PROJECT NO. B-3901
 ROCKINGHAM COUNTY
 STATION: 23+37.40 -L-

SHEET 3 OF 3

STATE OF NORTH CAROLINA
 DEPARTMENT OF TRANSPORTATION
 RALEIGH

SUBSTRUCTURE END BENT No. 2



REVISIONS				SHEET NO.
NO.	BY:	DATE:	NO.	DATE:
1			3	
2			4	

S-18
 TOTAL SHEETS
 22