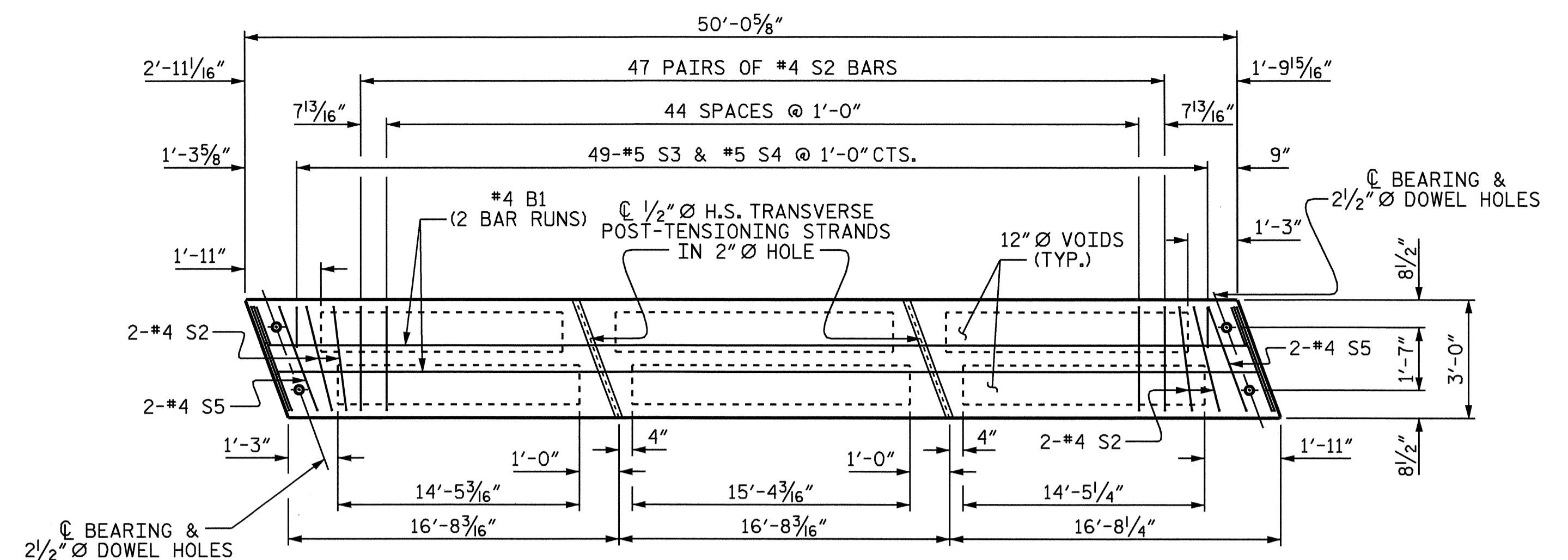


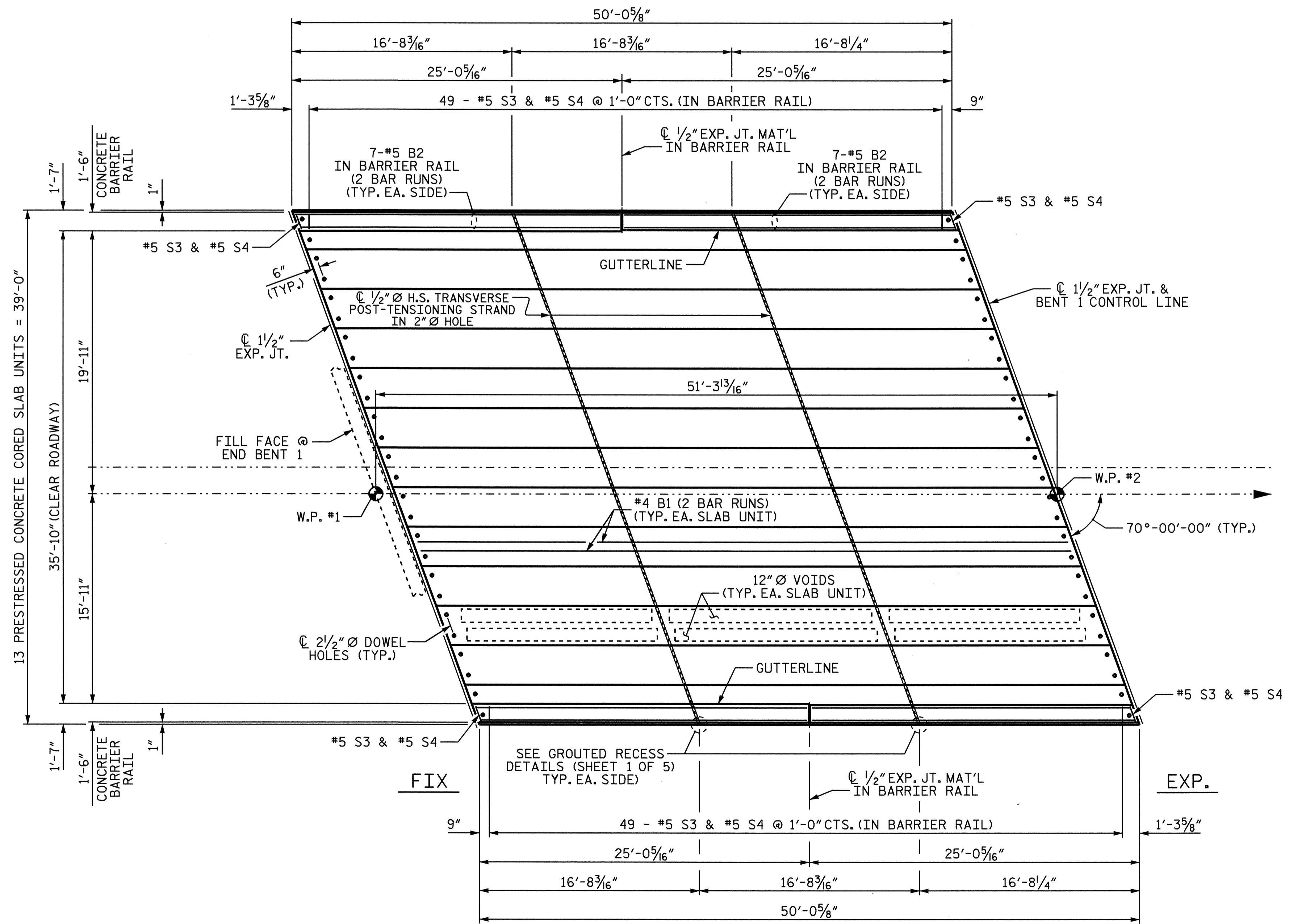
PLAN OF INTERIOR CORED SLAB UNIT - SPAN A

FOR REINFORCING STEEL AT ENDS OF CORED SLAB UNITS, SEE "PART-PLAN - EXTERIOR SECTION", SHEET 1 OF 5.



PLAN OF EXTERIOR CORED SLAB UNIT - SPAN A

FOR REINFORCING STEEL AT ENDS OF CORED SLAB UNITS, SEE "PART-PLAN - EXTERIOR SECTION", SHEET 1 OF 5.

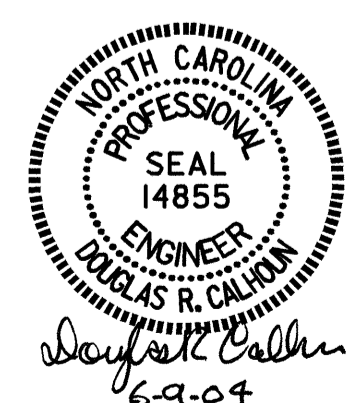


PLAN OF SPAN A

FOR REINFORCING STEEL IN END OF CORED SLAB UNIT, SEE "PART PLAN-EXTERIOR SECTION", SHEET 1 OF 5.

NOTE: S2 & S3 BARS IN INTERIOR & EXTERIOR SLABS MAY BE MOVED SLIGHTLY TO MAINTAIN 2" CLEARANCE OF 2 1/2" Ø HOLE

PROJECT NO. B-3884  
ONslow COUNTY  
 STATION: 14+89.75 -L-  
 SHEET 2 OF 5



STATE OF NORTH CAROLINA DEPARTMENT OF TRANSPORTATION RALEIGH					
SUPERSTRUCTURE PLAN OF SPAN A					
REVISIONS					
NO.	BY:	DATE:	NO.	BY:	DATE:
1			3		
2			4		
SHEET NO. S-6					TOTAL SHEETS 23