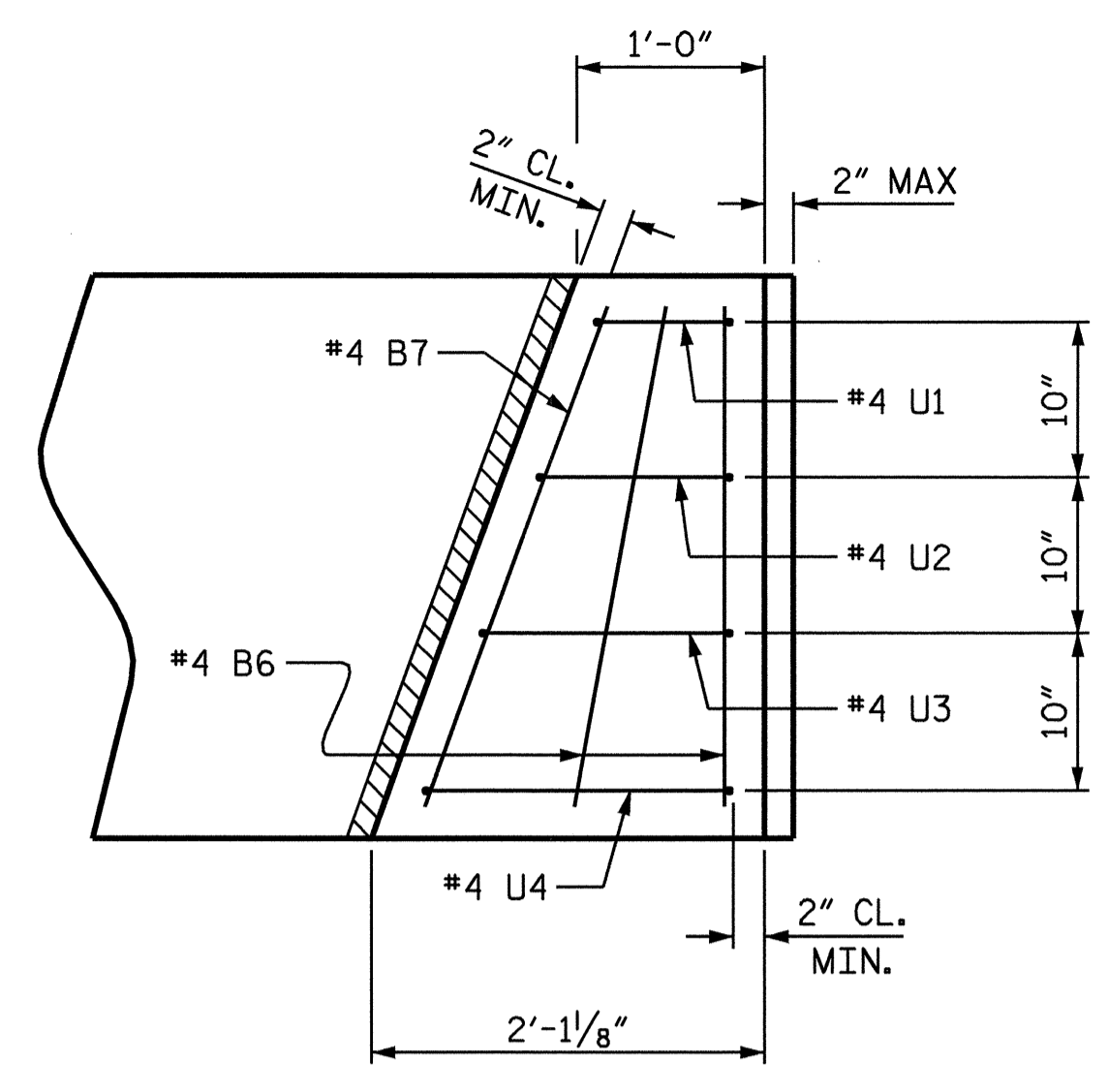
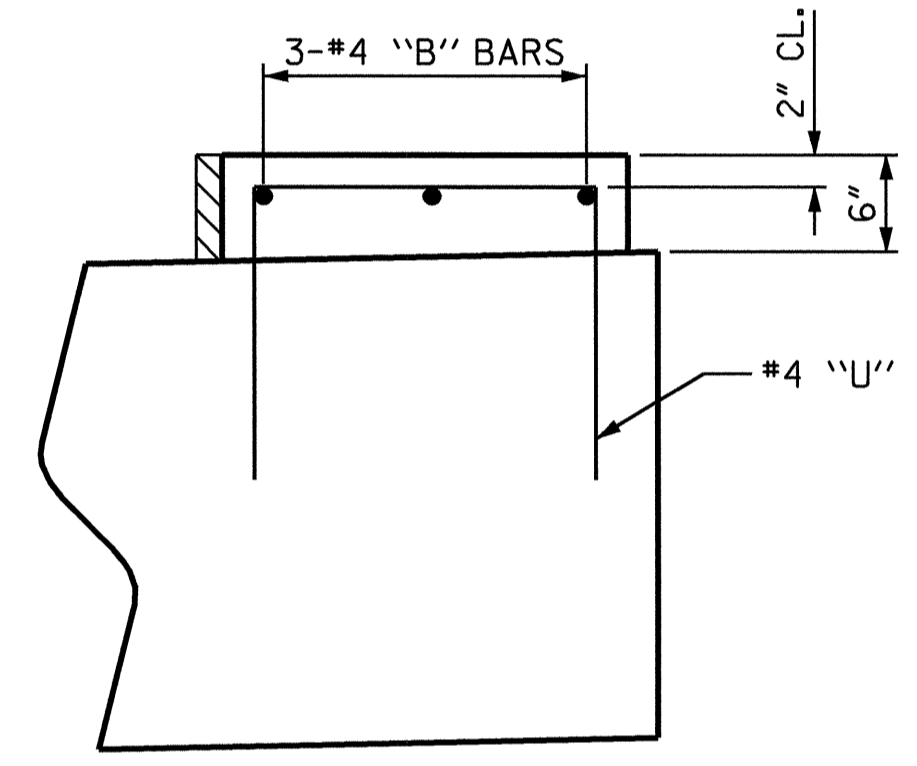


SECTION A-A

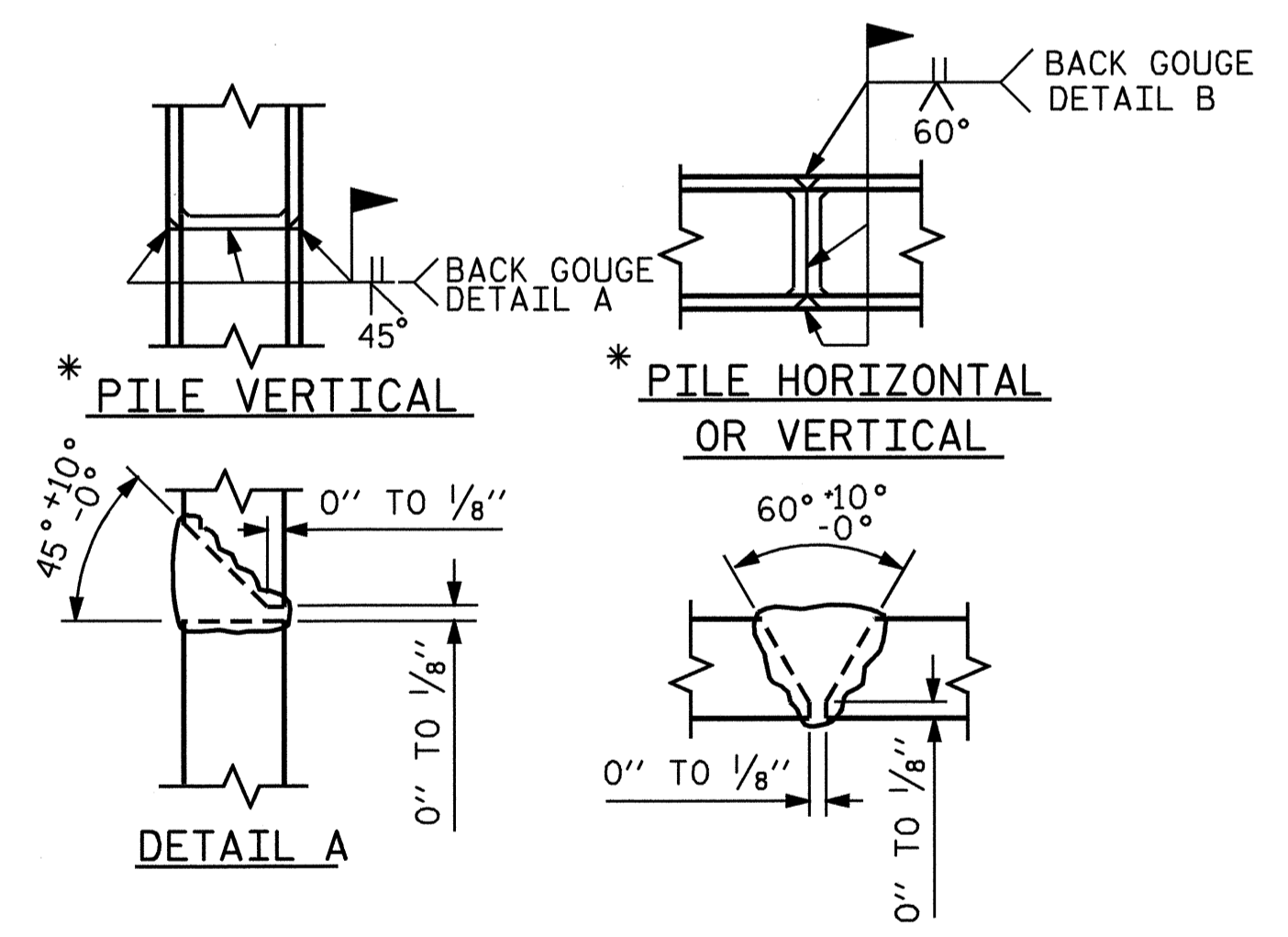


PLAN
(RIGHT SIDE SHOWN, LEFT SIDE SIMILAR)

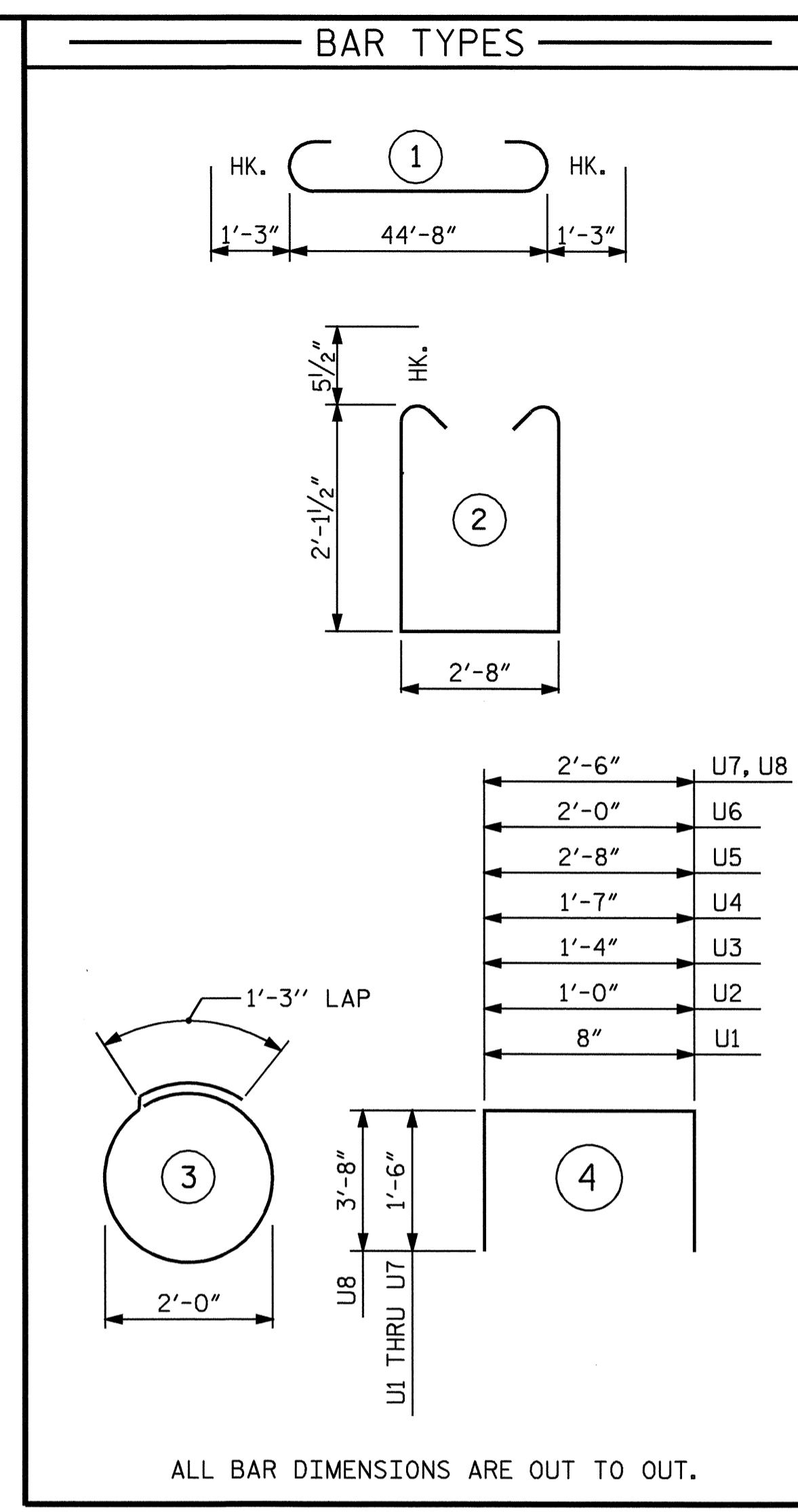


ELEVATION

LATERAL GUIDE DETAILS



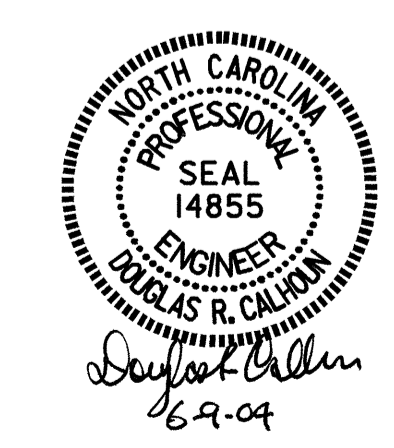
PILE SPLICE DETAILS
* POSITION OF PILE DURING WELDING.



ALL BAR DIMENSIONS ARE OUT TO OUT.

BILL OF MATERIAL					
BENT 1					
BAR NO	SIZE	TYPE	LENGTH	WEIGHT	
B1	4	9	STR	44'-10	610
B2	4	9	1	47'-2	641
B3	4	5	STR	44'-10	187
B4	35	4	STR	2'-8	62
B5	8	4	STR	23'-8	126
B6	4	4	STR	2'-8	7
B7	2	4	STR	2'-10	4
D1	52	6	STR	1'-6	117
S1	36	5	2	7'-10	294
S2	18	4	3	7'-7	91
U1	2	4	4	3'-8	5
U2	2	4	4	4'-0	5
U3	2	4	4	4'-4	6
U4	2	4	4	4'-7	6
U5	36	4	4	5'-8	136
U6	8	4	4	5'-0	27
U7	6	4	4	5'-6	22
U8	2	9	4	9'-10	67
REINFORCING STEEL					LBS. 2413
CLASS A CONCRETE BREAKDOWN					
POUR #1 (CAP)					12.5 C.Y.
POUR #2 (LATERAL GUIDE)					0.2 C.Y.
TOTAL CLASS A CONCRETE					12.7 C.Y.
HP 14 X 73 STEEL PILES NO. 9					360 LIN.FT.
GALVANIZING STEEL PILES					LUMP SUM

PROJECT NO. B-3884
ONslow COUNTY
 STATION: 14+89.75 -L-
 SHEET 2 OF 2



STATE OF NORTH CAROLINA
 DEPARTMENT OF TRANSPORTATION
 RALEIGH

SUBSTRUCTURE BENT 1

REVISIONS						SHEET NO.	
NO.	BY:	DATE:	NO.	BY:	DATE:	S-14	
1			3			TOTAL SHEETS 23	
2			4				