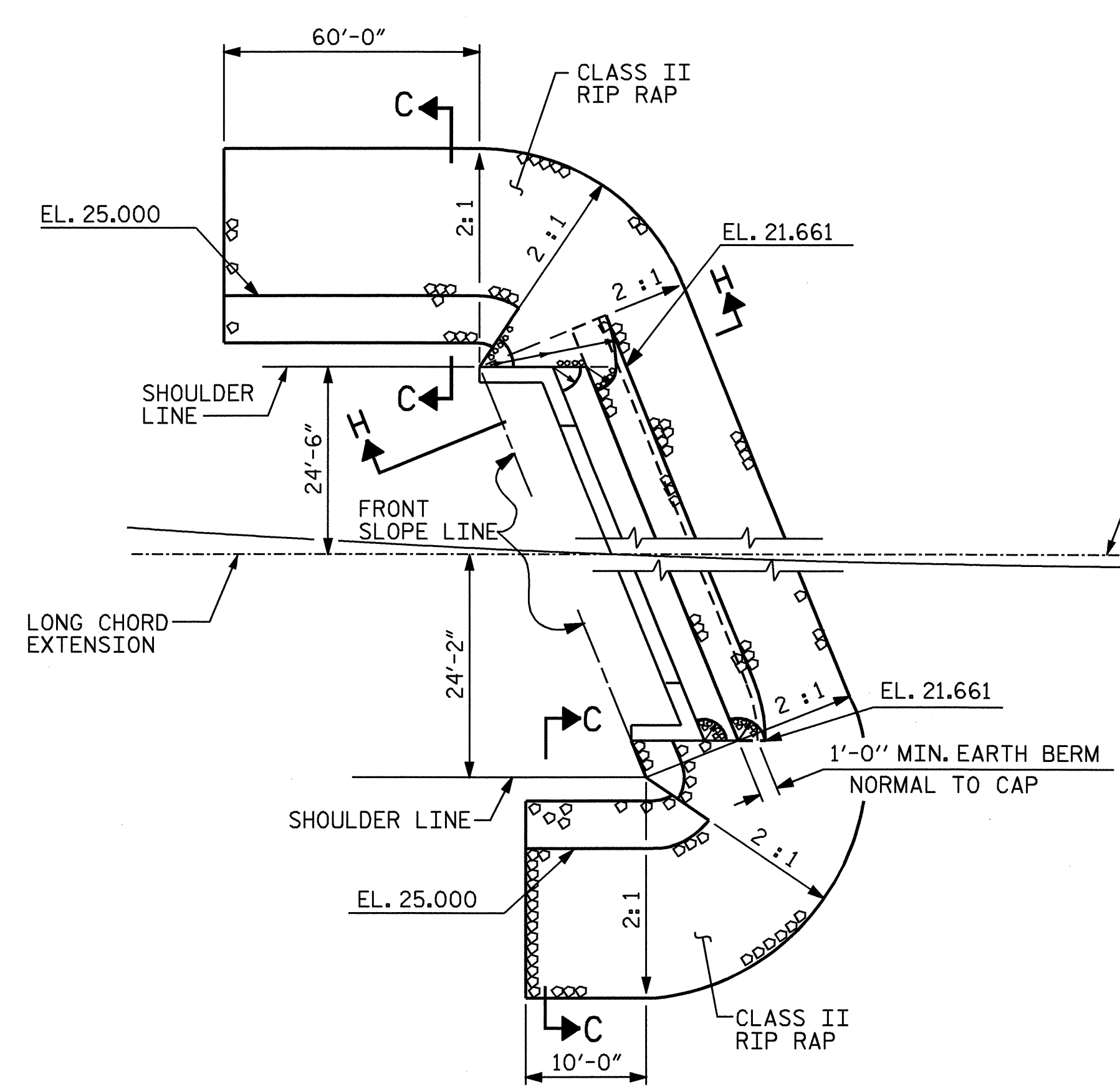
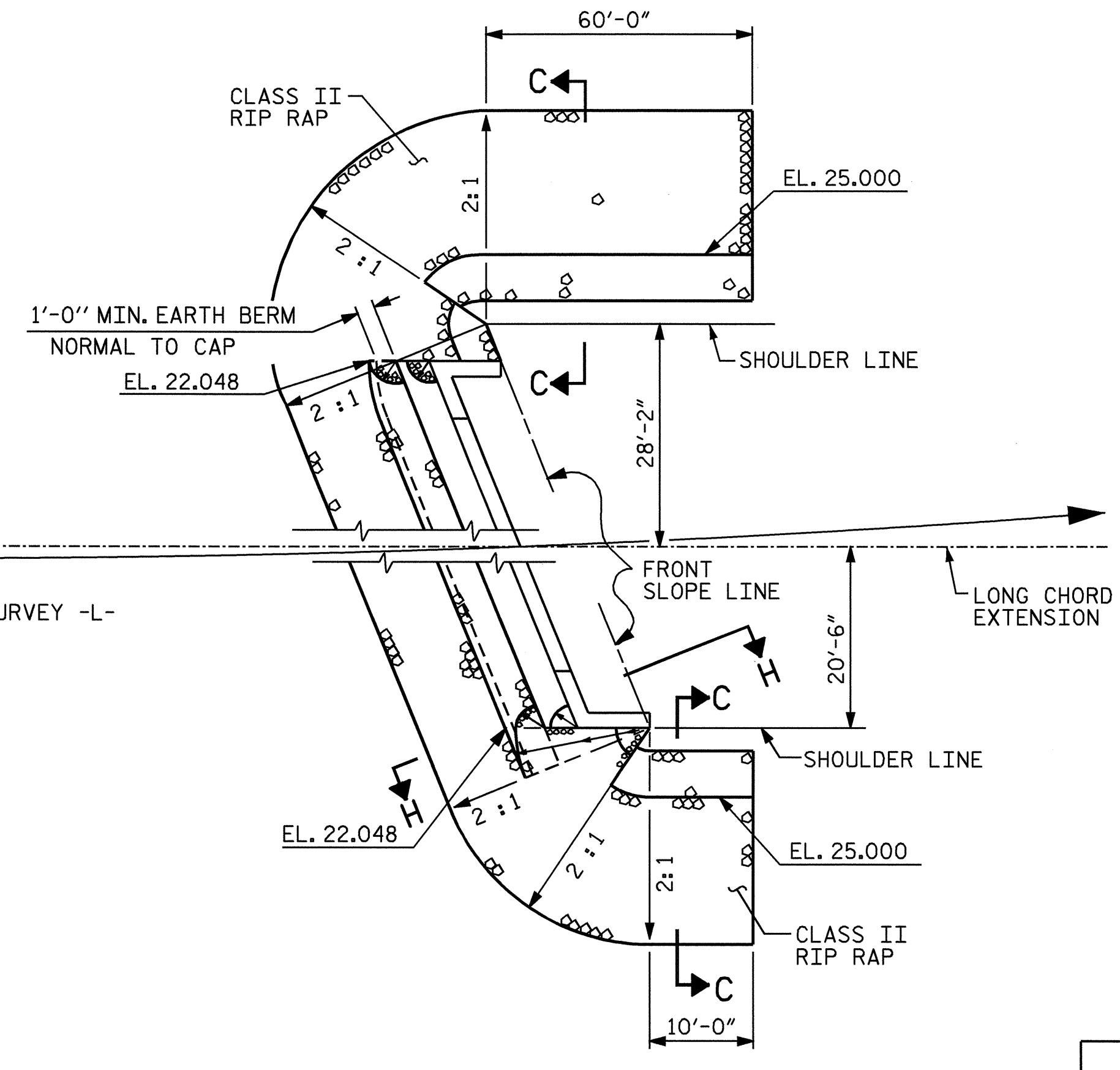


NOTES :
FOR BERM WIDTH DIMENSIONS, SEE GENERAL DRAWING.

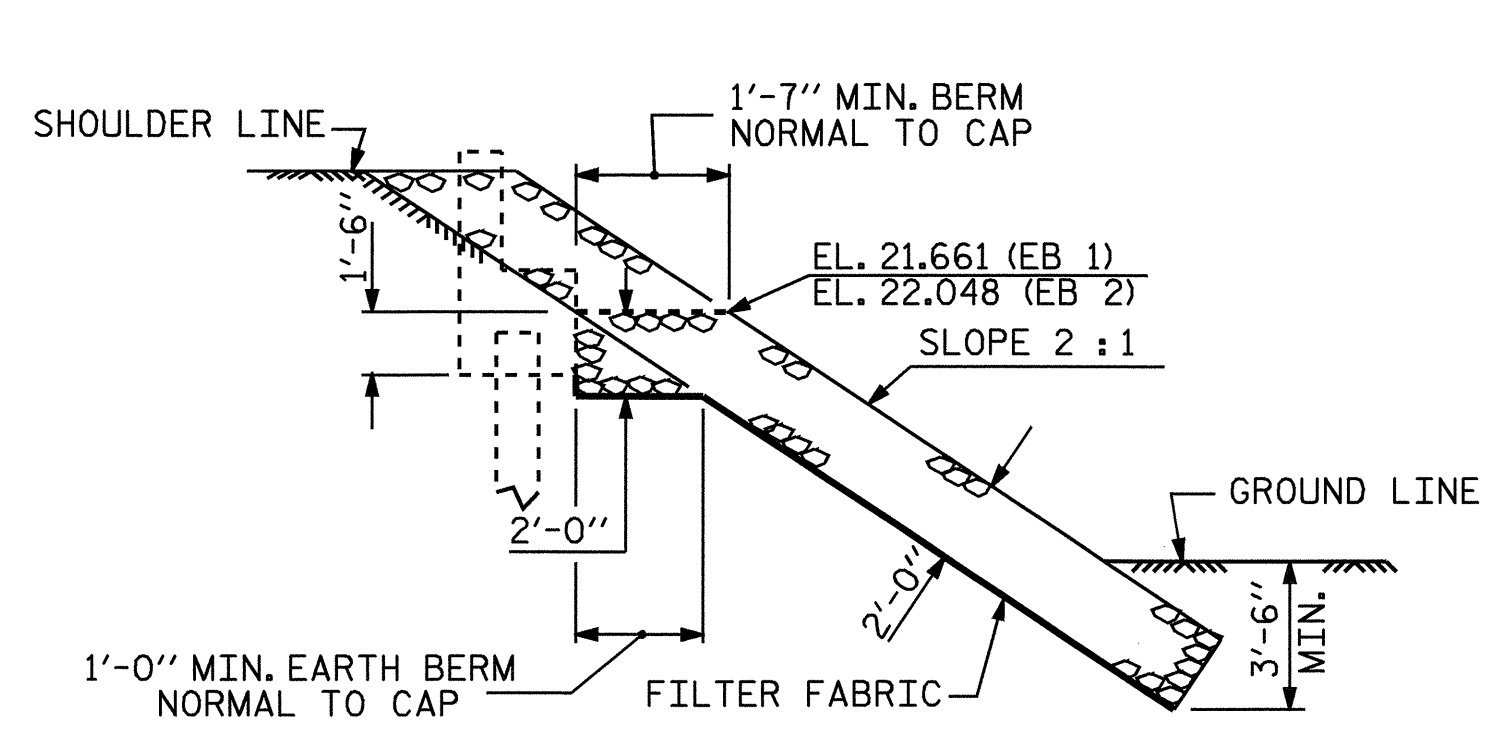


PLAN - END BENT 1

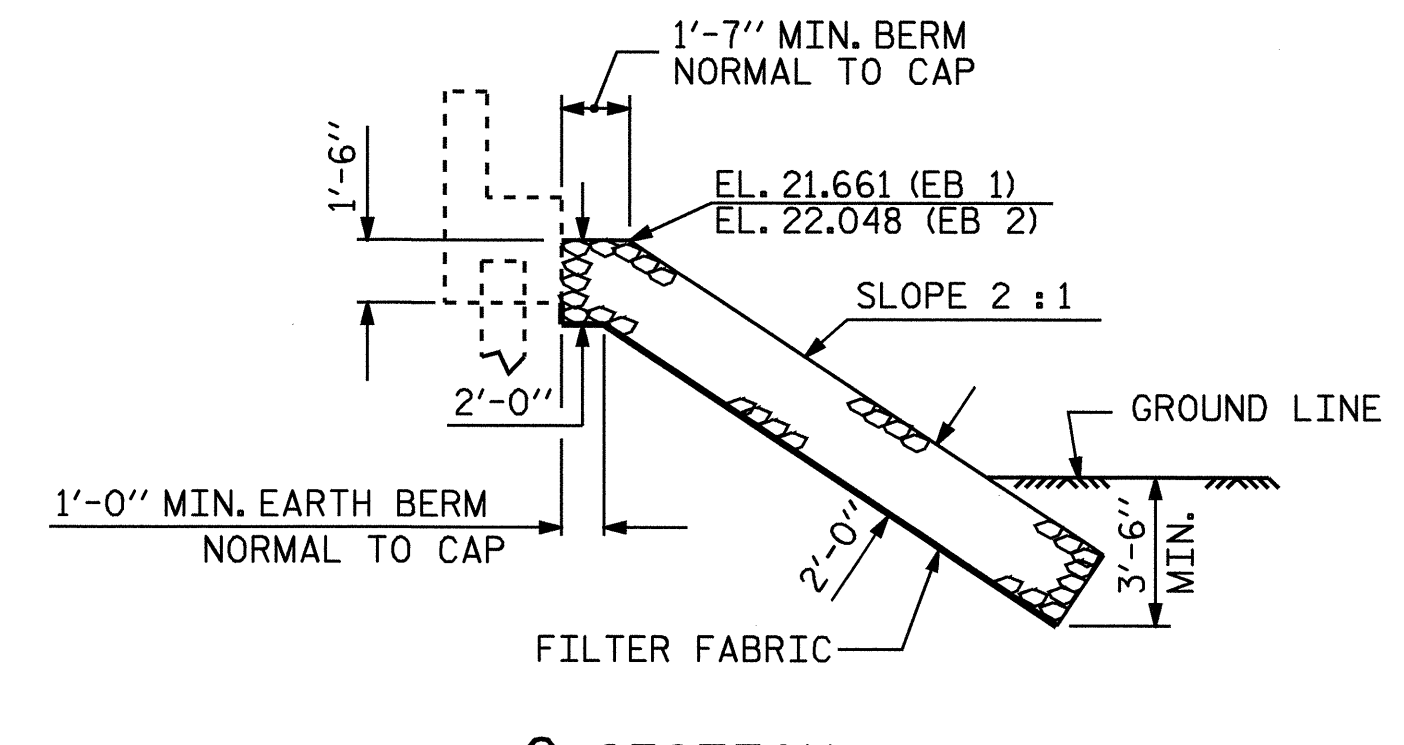


PLAN - END BENT 2

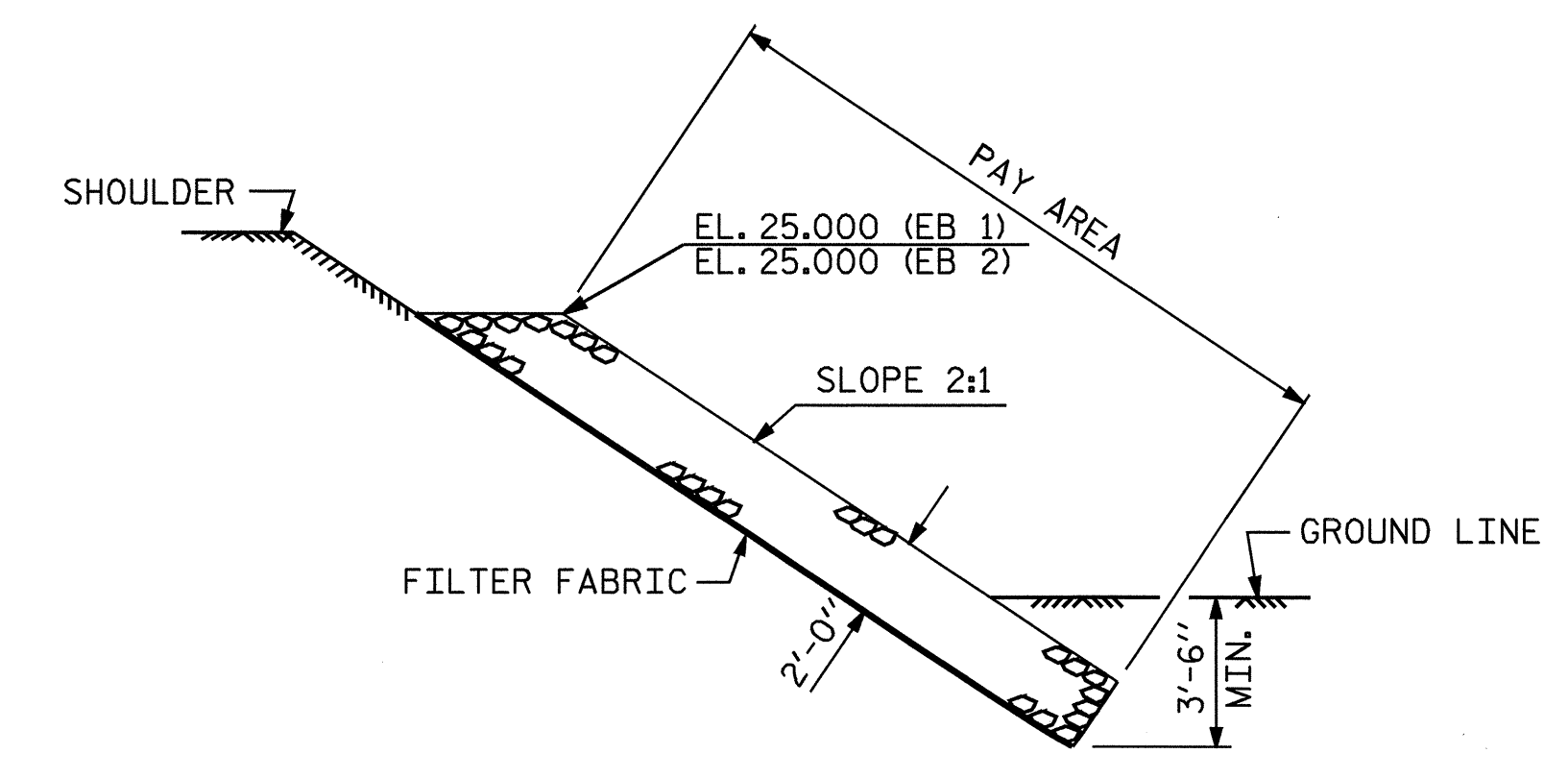
ESTIMATED QUANTITIES		
BRIDGE @ STA. 14+89.75 -L-	PLAIN RIP RAP CLASS II	FILTER FABRIC FOR DRAINAGE
	TONS	SQUARE YARDS
END BENT 1	210	233
END BENT 2	228	254



SECTION H-H



SECTION C-C
BERM RIP RAPPED



SECTION C-C

PROJECT NO. B-3884
ONSLOW COUNTY
STATION: 14+89.75 -L-



STATE OF NORTH CAROLINA
DEPARTMENT OF TRANSPORTATION
RALEIGH
STANDARD
RIP RAP DETAILS

ASSEMBLED BY : K. McCAULEY DATE : 3/21/03
CHECKED BY : A. MEADOWS DATE : 3/25/03
DRAWN BY : REK 1/84 REV. 7/17/98 REK/RWW
CHECKED BY : RDU 1/84 REV. 8/16/99 RWW/LES
REV. 10/17/00 RWW/LES

REVISIONS						SHEET NO. S-20
NO.	BY:	DATE:	NO.	BY:	DATE:	
1			3			TOTAL SHEETS 23
2			4			