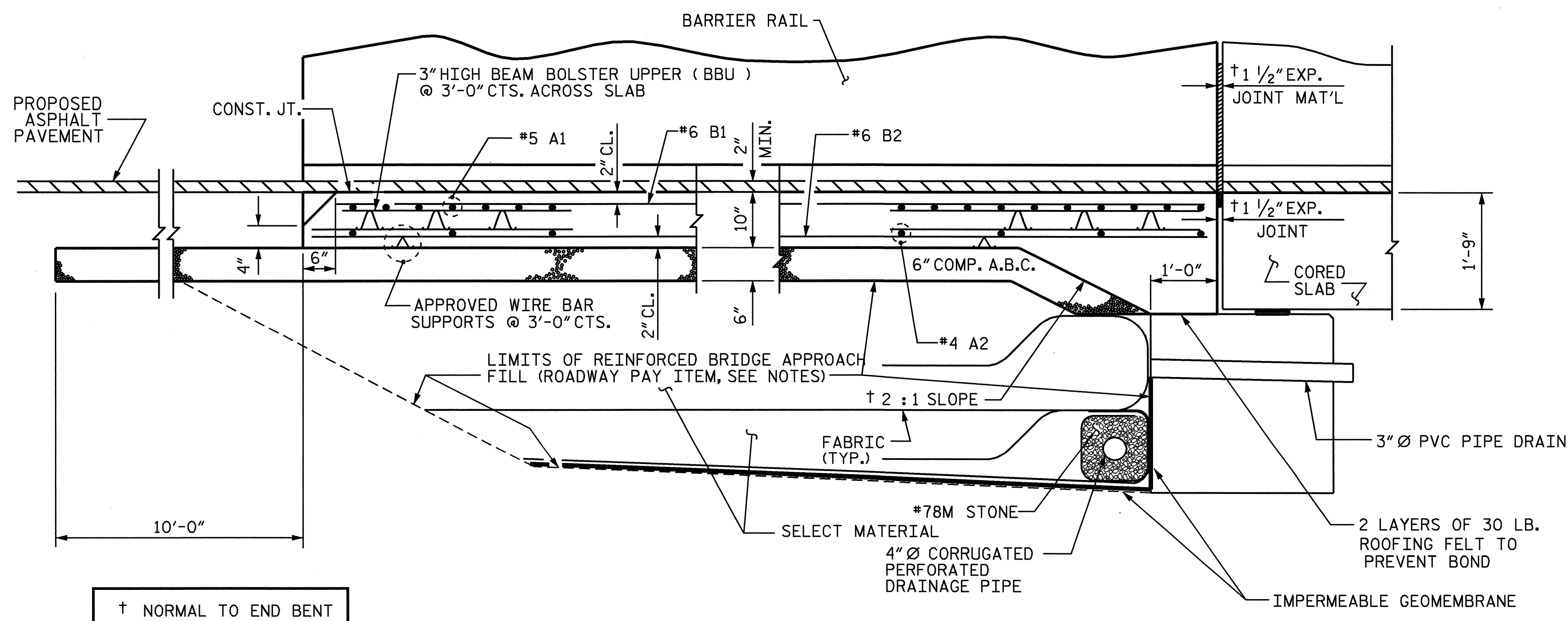


PLAN - END BENT 1

PLAN - END BENT 2

NOTE:  
UNLESS OTHERWISE NOTED, ALL STATIONS ARE MEASURED ALONG THE LONG CHORD OR THE LONG CHORD EXTENSION.



SECTION THRU SLAB

NOTES

THE COST OF THE BARRIER RAIL ON THE APPROACH SLAB SHALL BE INCLUDED IN THE LUMP SUM CONTRACT PRICE BID FOR BRIDGE APPROACH SLABS.

FOR REINFORCED BRIDGE APPROACH FILL INCLUDING FABRIC, IMPERMEABLE GEOMEMBRANE, 4" Ø DRAINAGE PIPE, #78M STONE, AND SELECT MATERIAL, SEE ROADWAY PLANS.

TEMPORARY DRAINAGE AND TEMPORARY BERM AND SLOPE DRAINS WILL BE PAID FOR UNDER THE LUMP SUM PRICE FOR BRIDGE APPROACH SLAB.

AREA BETWEEN THE WINGWALL AND APPROACH SLAB SHALL BE GRADED TO DRAIN THE WATER AWAY FROM THE FILL FACE OF THE BRIDGE AND SHALL BE PAVED. SEE ROADWAY PLANS.

THE 6" COMP. A.B.C. SHALL EXTEND 10'-0" BEYOND THE END OF THE APPROACH SLAB AND 1'-0" OUTSIDE OF EACH EDGE OF SLAB.

THE CONTRACTOR MAY USE 4" TYPE B-25.0B ASPHALT CONCRETE BASE COURSE IN LIEU OF 6" COMP. A.B.C. IF THIS OPTION IS USED, THE BASE COURSE SHALL EXTEND 1'-0" BEYOND THE END OF THE APPROACH SLAB AND THE WIDTH SHALL BE THE SAME AS THAT OF THE APPROACH SLAB.

THE CONTRACTOR MAY USE 5" CLASS "A" CONCRETE BASE IN LIEU OF 6" COMP. A.B.C. IF THIS OPTION IS USED, THE CONCRETE BASE SHALL EXTEND 1'-0" BEYOND THE END OF THE APPROACH SLAB AND THE WIDTH SHALL BE THE SAME AS THAT OF THE APPROACH SLAB. THE CONCRETE SHALL BE FINISHED TO A SMOOTH SURFACE AND A LAYER OF 30 LB ROOFING FELT SHALL BE PLACED BETWEEN THE CONCRETE BASE AND THE APPROACH SLAB TO PREVENT BOND. THE APPROACH SLAB SHALL NOT BE CAST UNTIL THE CONCRETE BASE HAS REACHED AN AGE OF THREE CURING DAYS.

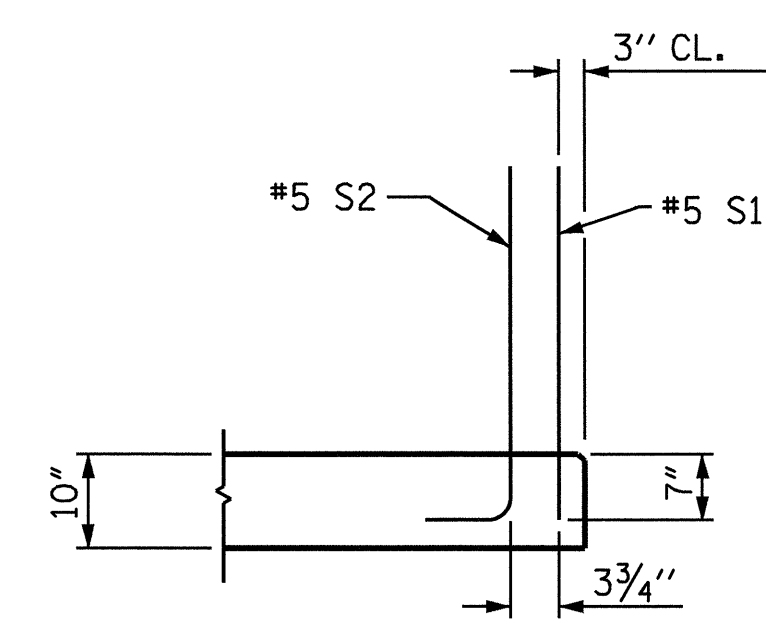
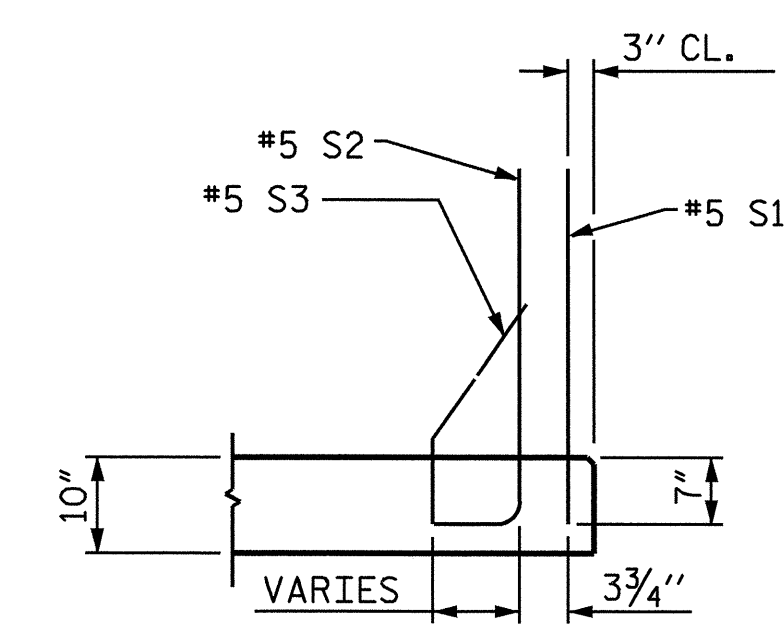
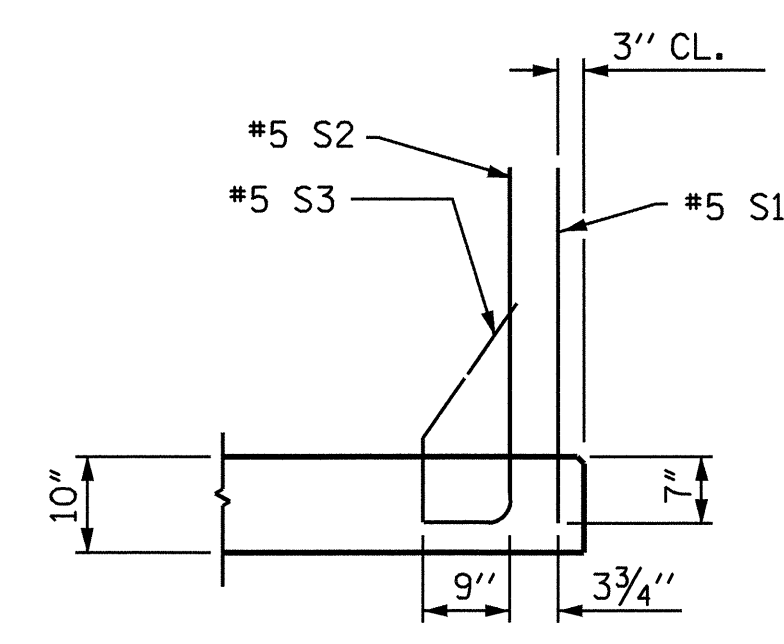
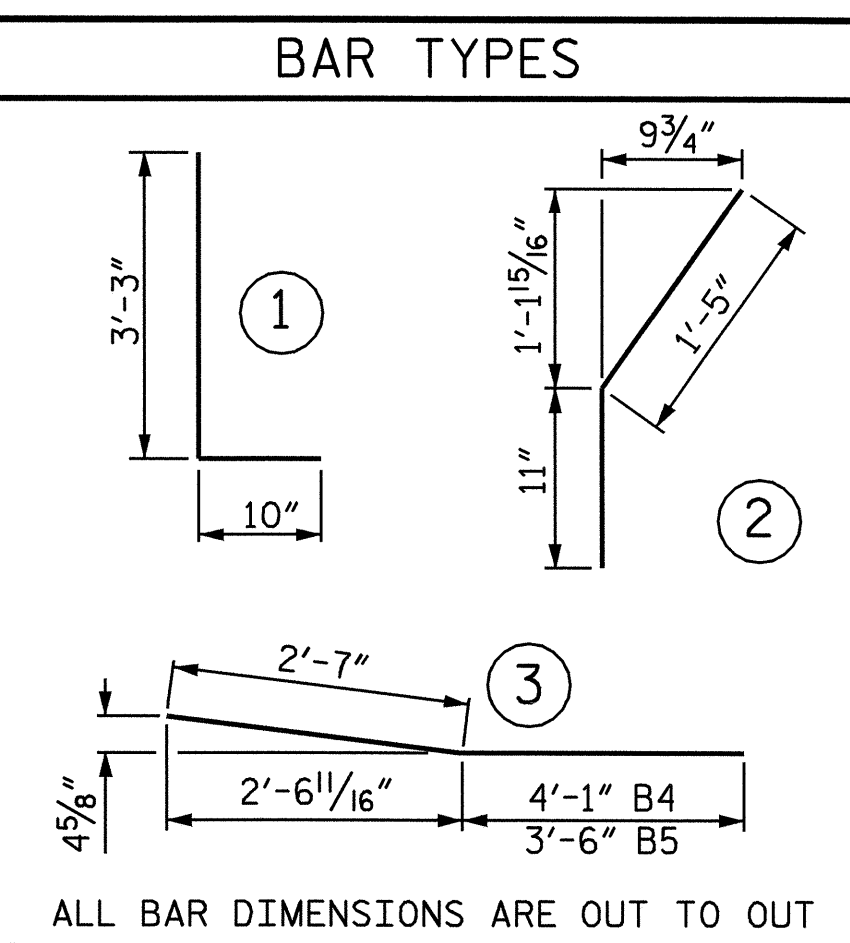
FOR JOINT DETAILS, SEE "PRESTRESSED CONCRETE CORED SLAB UNIT" SHEETS.

THE JOINT AT THE END BENT SHALL BE SEALED AS SOON AS PRACTICAL AFTER THE CONSTRUCTION OF THE APPROACH SLABS.

APPROACH SLAB GROOVING IS NOT REQUIRED.

| MINIMUM SPLICE LENGTH |       |
|-----------------------|-------|
| #4                    | 1'-9" |

| BILL OF MATERIAL                |     |      |      |        |        |
|---------------------------------|-----|------|------|--------|--------|
| FOR ONE APPROACH SLAB (2 REQ'D) |     |      |      |        |        |
| BAR                             | NO. | SIZE | TYPE | LENGTH | WEIGHT |
| *A1                             | 23  | #5   | STR  | 41'-1" | 986    |
| A2                              | 18  | #4   | STR  | 21'-6" | 259    |
| *B1                             | 78  | #6   | STR  | 11'-7" | 1357   |
| B2                              | 78  | #6   | STR  | 11'-7" | 1357   |
| *B3                             | 28  | #5   | STR  | 7'-8"  | 224    |
| *B4                             | 1   | #5   | 3    | 6'-8"  | 7      |
| *B5                             | 1   | #5   | 3    | 6'-1"  | 6      |
| *S1                             | 44  | #5   | STR  | 3'-3"  | 149    |
| *S2                             | 44  | #5   | 1    | 4'-1"  | 187    |
| *S3                             | 18  | #5   | 2    | 2'-4"  | 44     |
| REINFORCING STEEL               |     |      |      | LBS.   | 1616   |
| *EPOXY COATED REINFORCING STEEL |     |      |      | LBS.   | 2960   |
| CLASS AA CONCRETE BREAKDOWN     |     |      |      |        |        |
| POUR 1 SLAB                     |     |      |      | C.Y.   | 15.7   |
| POUR 2 RAIL                     |     |      |      | C.Y.   | 1.9    |
| CLASS AA CONCRETE               |     |      |      | C.Y.   | 17.8   |

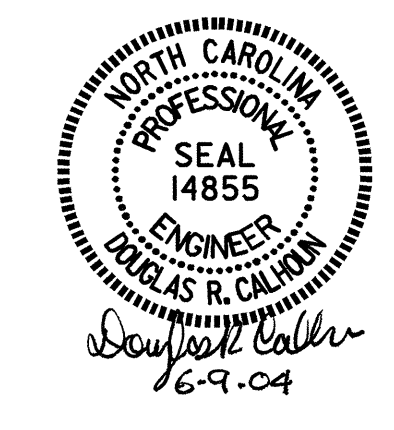


PROJECT NO. B-3884  
ON SLOW COUNTY  
STATION: 14+89.75 -L-

SHEET 1 OF 3

STATE OF NORTH CAROLINA  
DEPARTMENT OF TRANSPORTATION  
RALEIGH  
STANDARD  
BRIDGE APPROACH SLAB  
FOR PRESTRESSED CONCRETE  
CORED SLAB WITH  
BARRIER RAIL

| REVISIONS |     |       |     |       | TOTAL SHEETS |
|-----------|-----|-------|-----|-------|--------------|
| NO.       | BY: | DATE: | NO. | DATE: | 23           |
| 1         |     |       | 3   |       |              |
| 2         |     |       | 4   |       |              |



|                |            |               |         |
|----------------|------------|---------------|---------|
| ASSEMBLED BY : | K.McCAULEY | DATE :        | 3/20/03 |
| CHECKED BY :   | A.MEADOWS  | DATE :        | 3/25/03 |
| DRAWN BY :     | LES 8/01   | REV. 10/17/00 | RWW/LES |
| CHECKED BY :   | RDR 8/01   | REV. 7/10/01  | LES/RDR |
|                |            | REV. 5/7/03   | RWW/JTE |