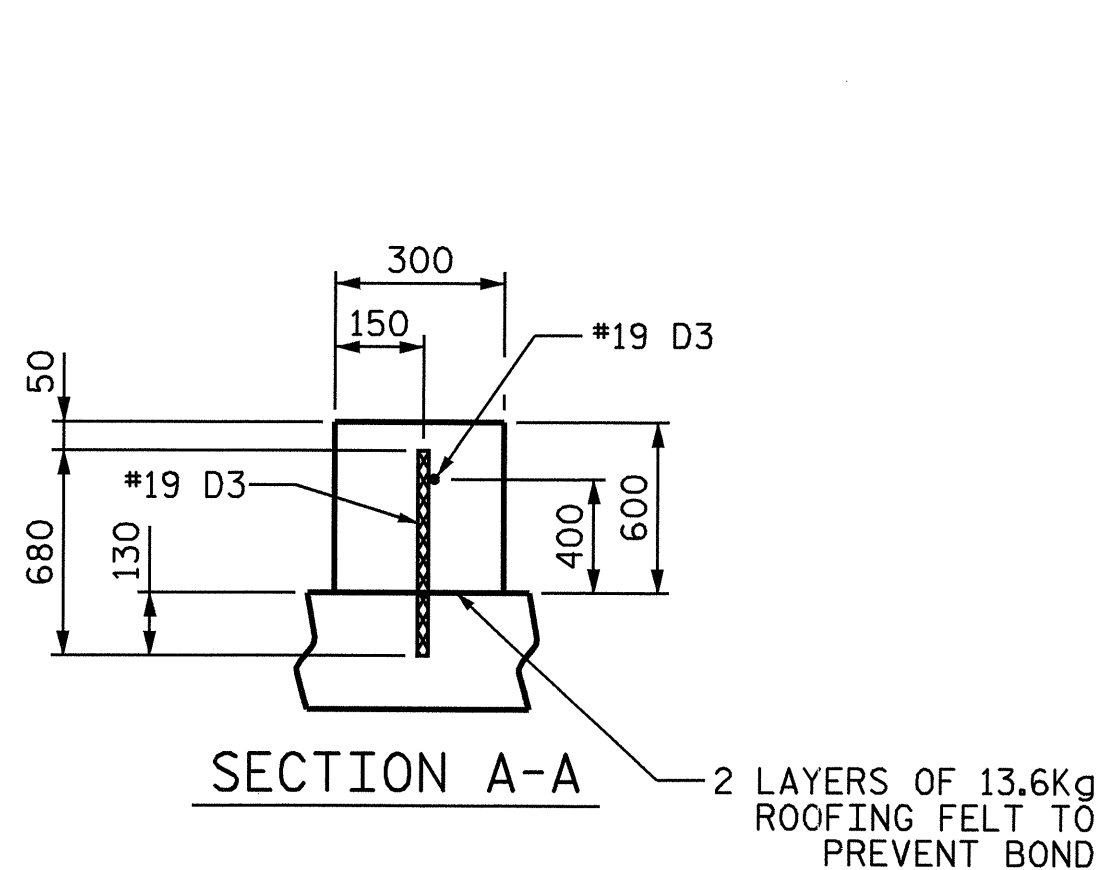
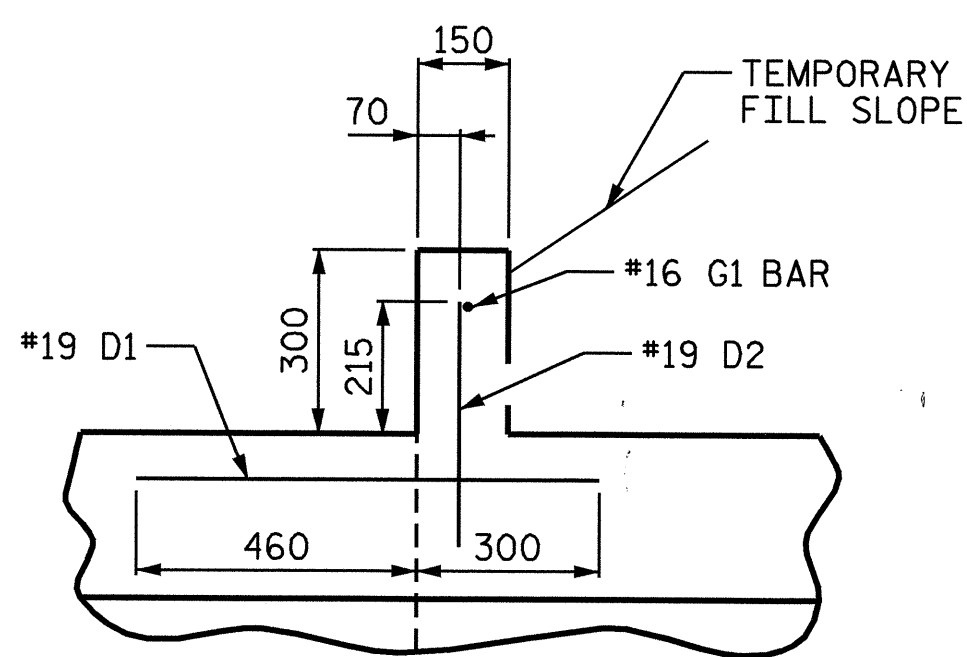


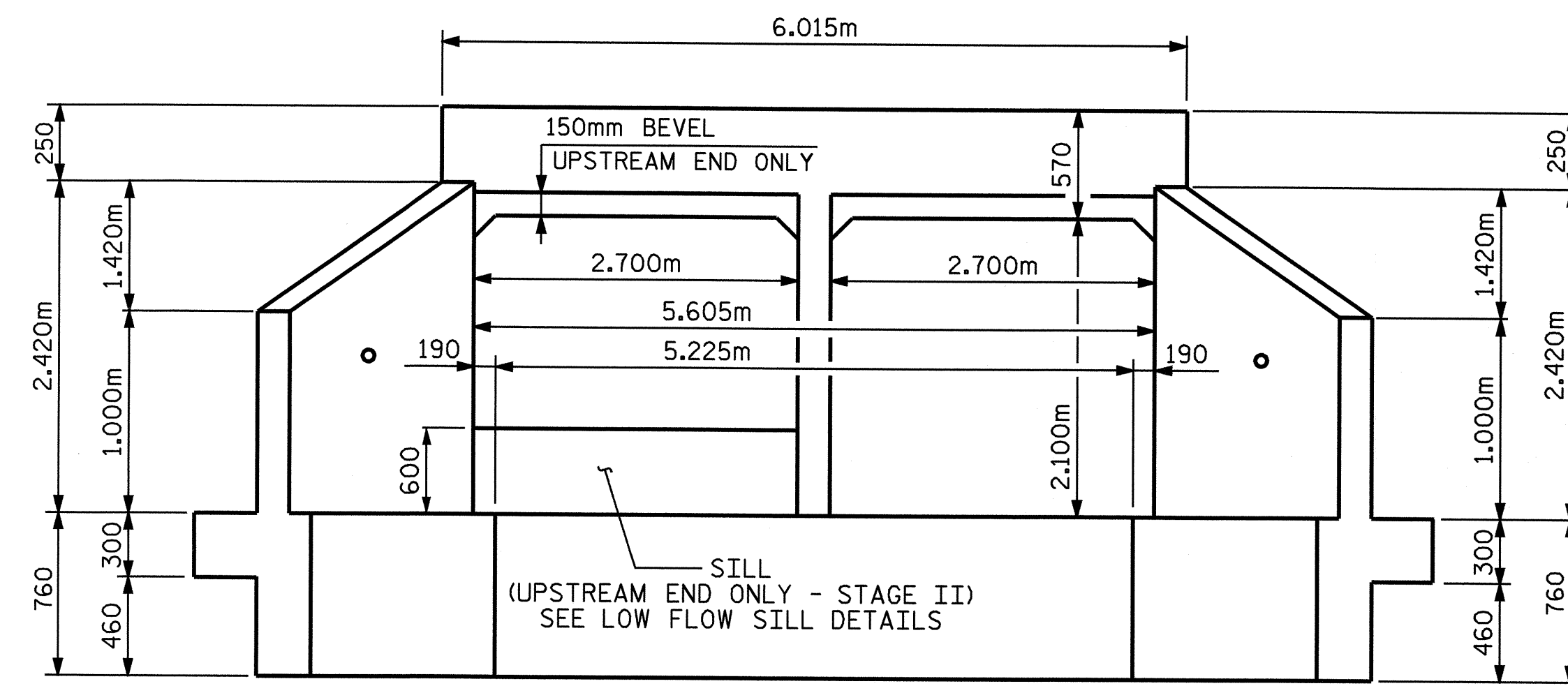
CULVERT SECTION NORMAL TO ROADWAY



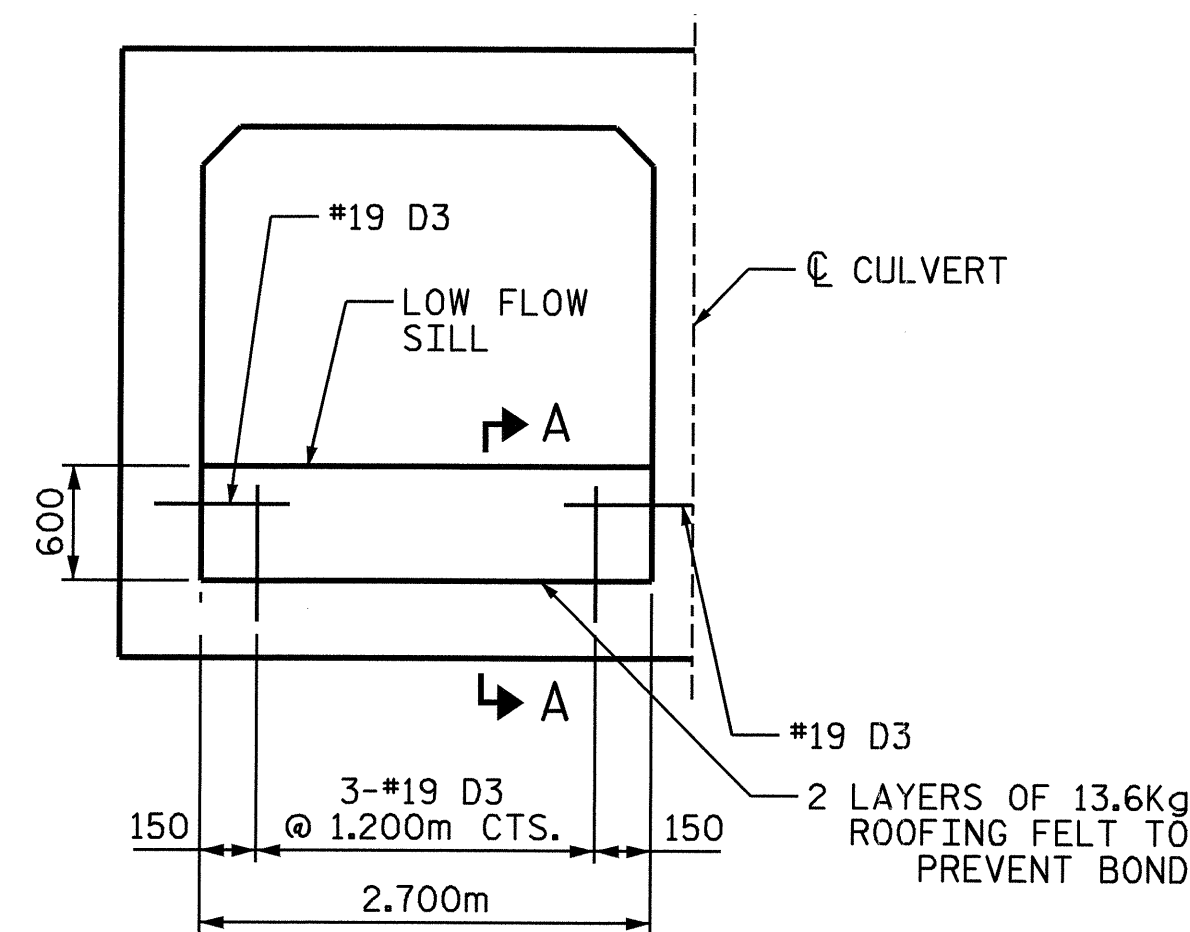
SECTION A-A



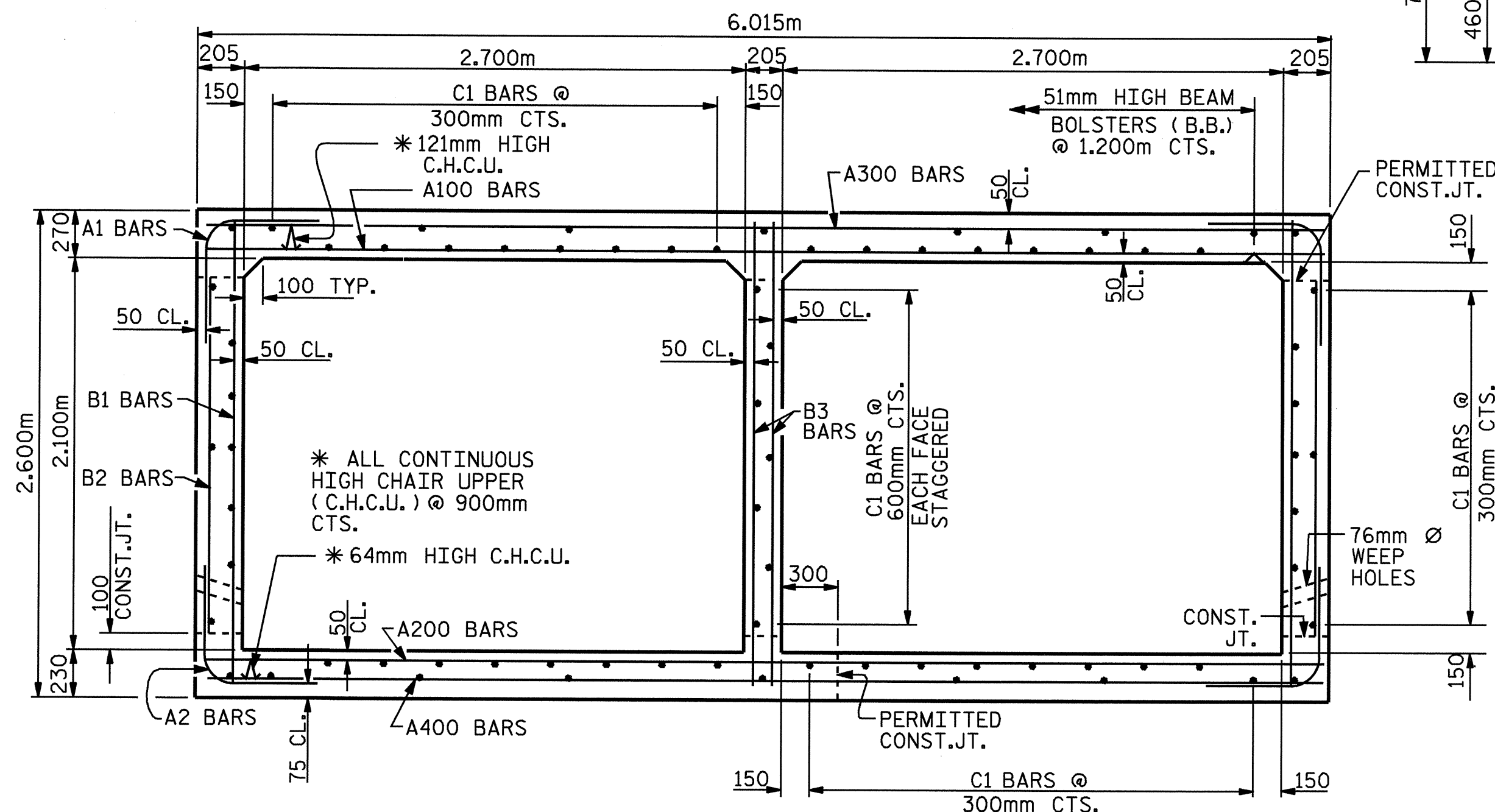
DETAIL 'B'



END ELEVATION NORMAL TO SKEW  
(LOOKING DOWNSTREAM)



PARTIAL INLET END VIEW  
LOW FLOW SILL DETAILS



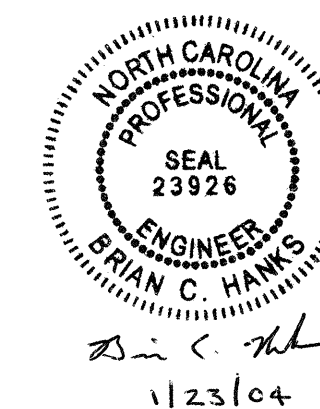
RIGHT ANGLE SECTION OF BARREL  
THERE ARE 73 "C" BARS IN SECTION OF BARREL.

PROJECT NO. U-2734  
NEW HANOVER COUNTY  
STATION: 28+13.000-L-

SHEET 2 OF 6

STATE OF NORTH CAROLINA  
DEPARTMENT OF TRANSPORTATION  
RALEIGH

DOUBLE  
2.700m X 2.100m  
CONCRETE BOX CULVERT  
90° SKEW



DRAWN BY: William J. Parker DATE: 12/03/03  
CHECKED BY: A.B. NAIK DATE: 12/15/03

23-JAN-2004 08:39  
W:\sqdag\2734\wparker\Micr\station\2734.sd.01.culdesign.dgn  
wparker

REVISIONS						SHEET NO.
NO.	BY:	DATE:	NO.	BY:	DATE:	C-2
1			3			TOTAL SHEETS
2			4			6