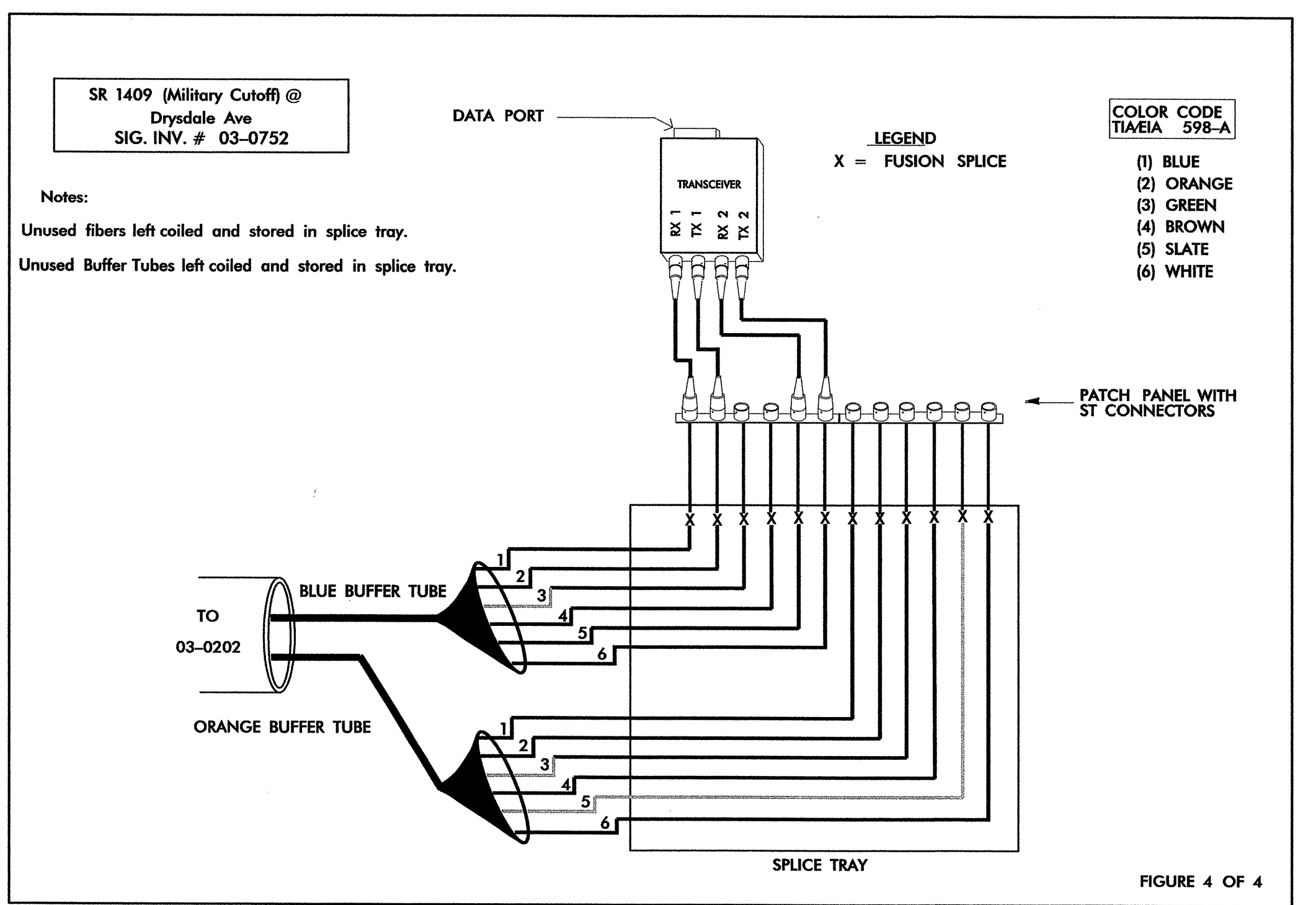
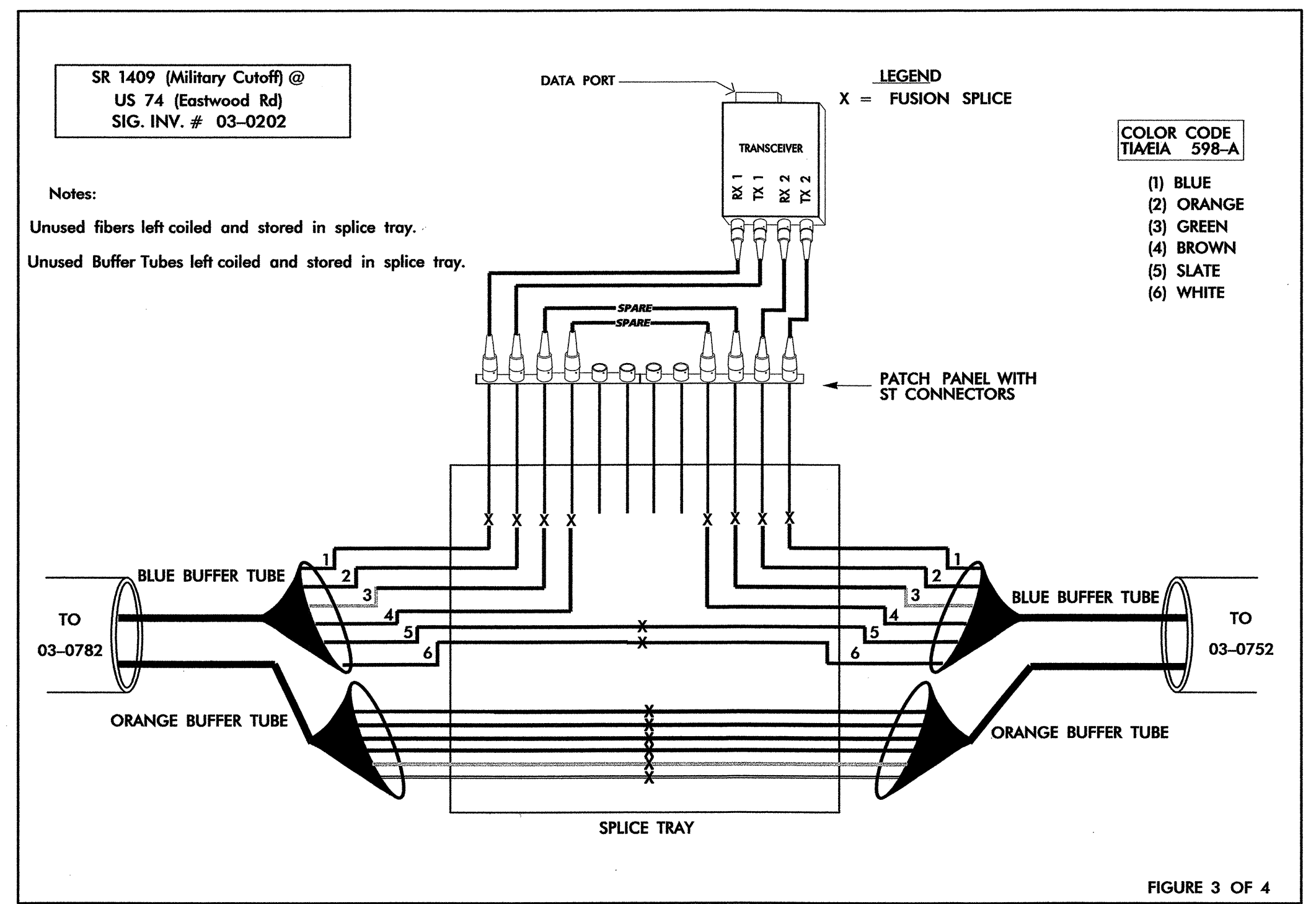
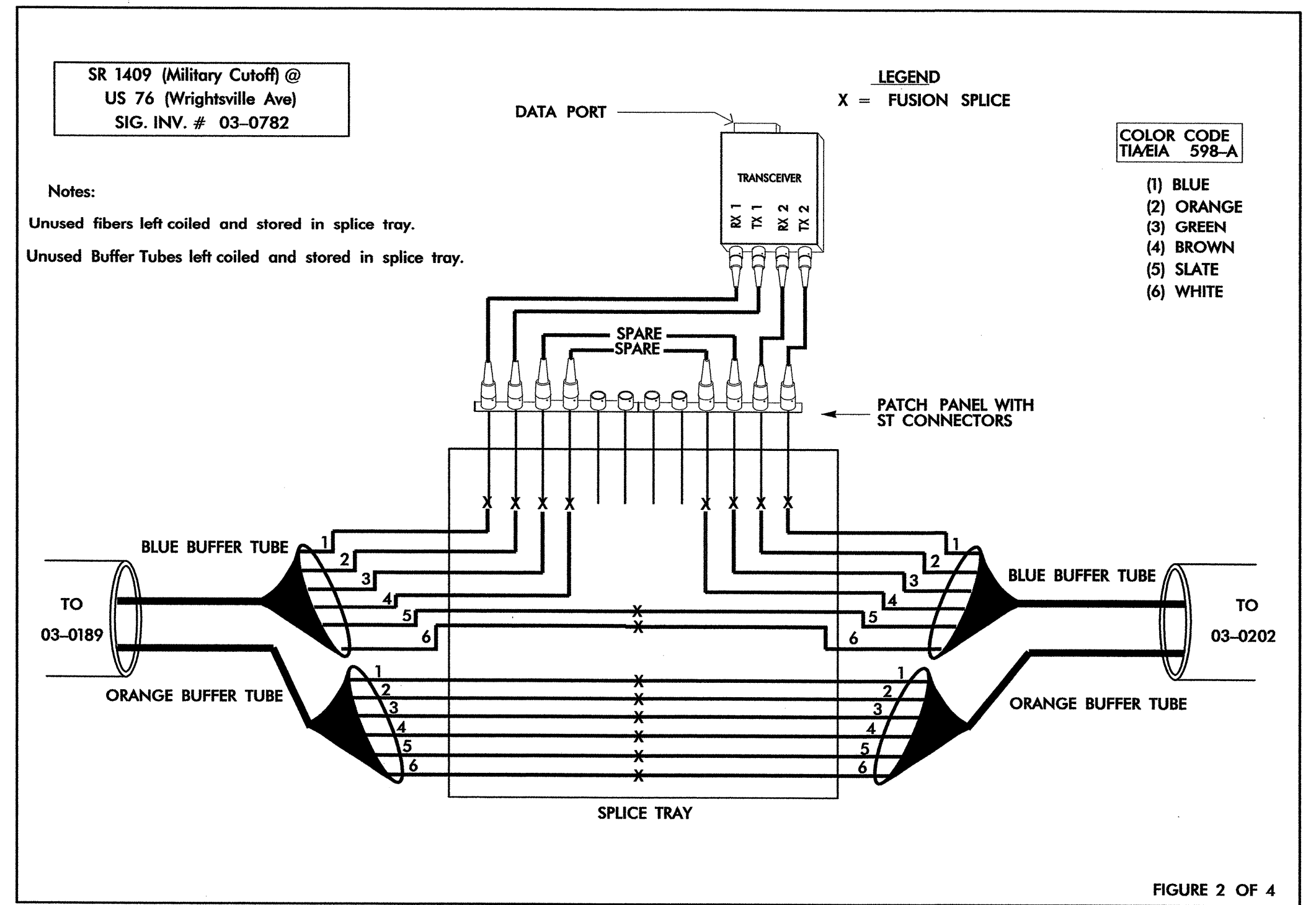
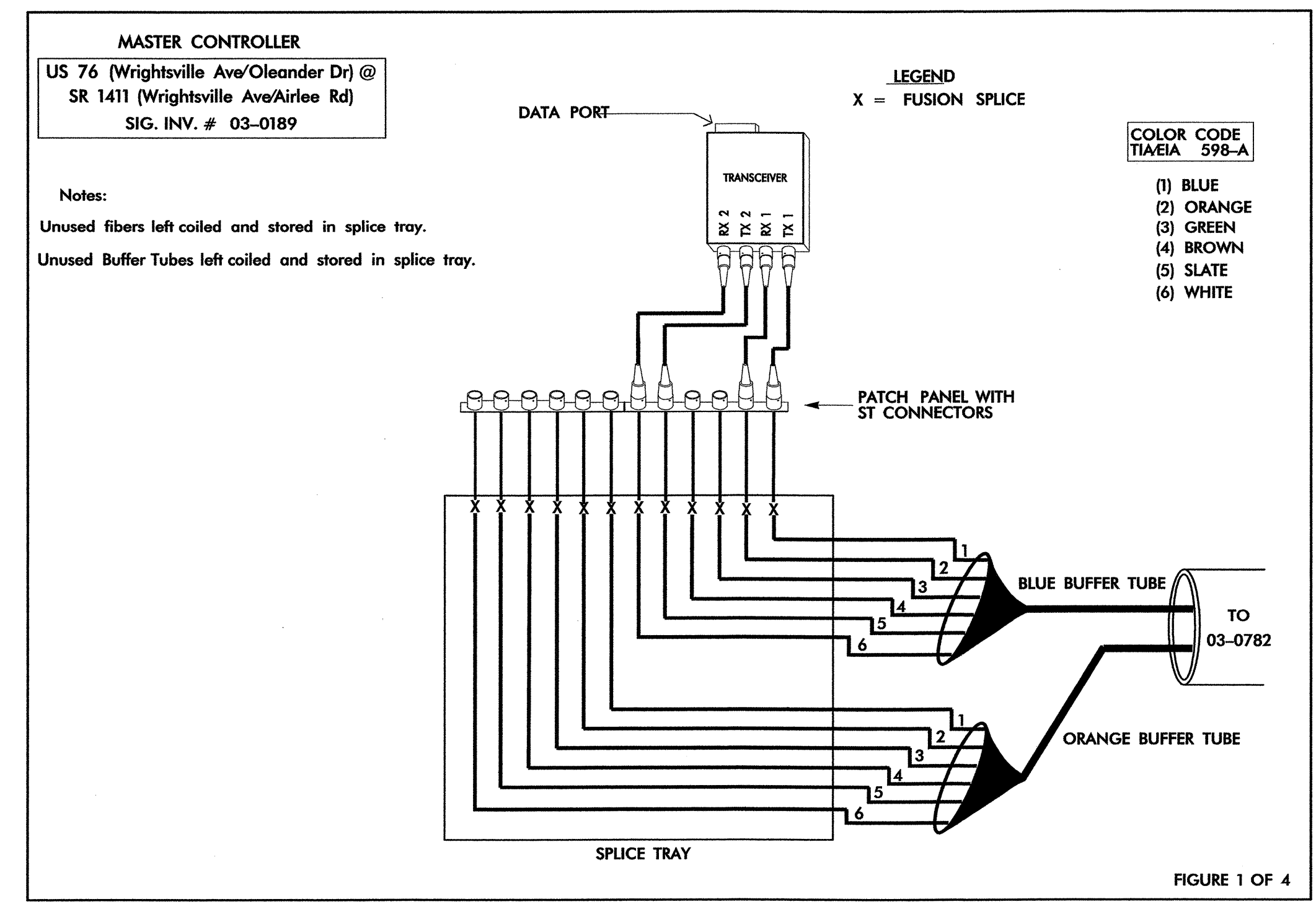


FIBER OPTIC CABLE



INSTALL "SELF-HEALING RING" TYPE TRANSCEIVERS

	SPLICE PLAN (ICT1)		
	DIVISION 3 NEW HANOVER COUNTY WILMINGTON PLAN DATE: AUG 2003 PREPARED BY: J. P. CARLON	REVIEWED BY: S. S. ASEFNIA REVISIONS: _____ INIT. DATE: _____	