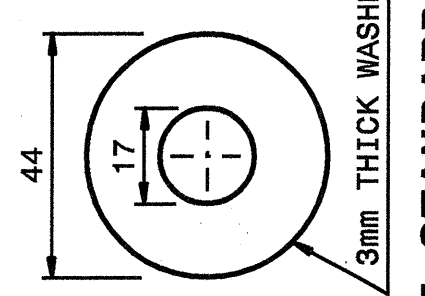
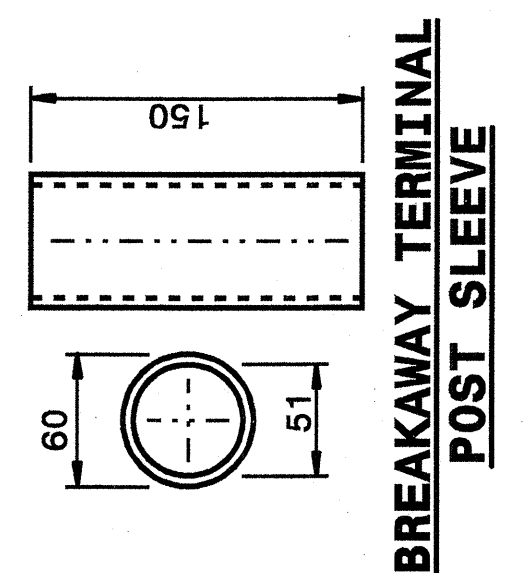


20 MAY 2003 07:54
 W:\work\2003\0754\ereward\stds\02\stds to Special Details\metric\86202\862d02m.dgn
 tspeil - AT 05196510

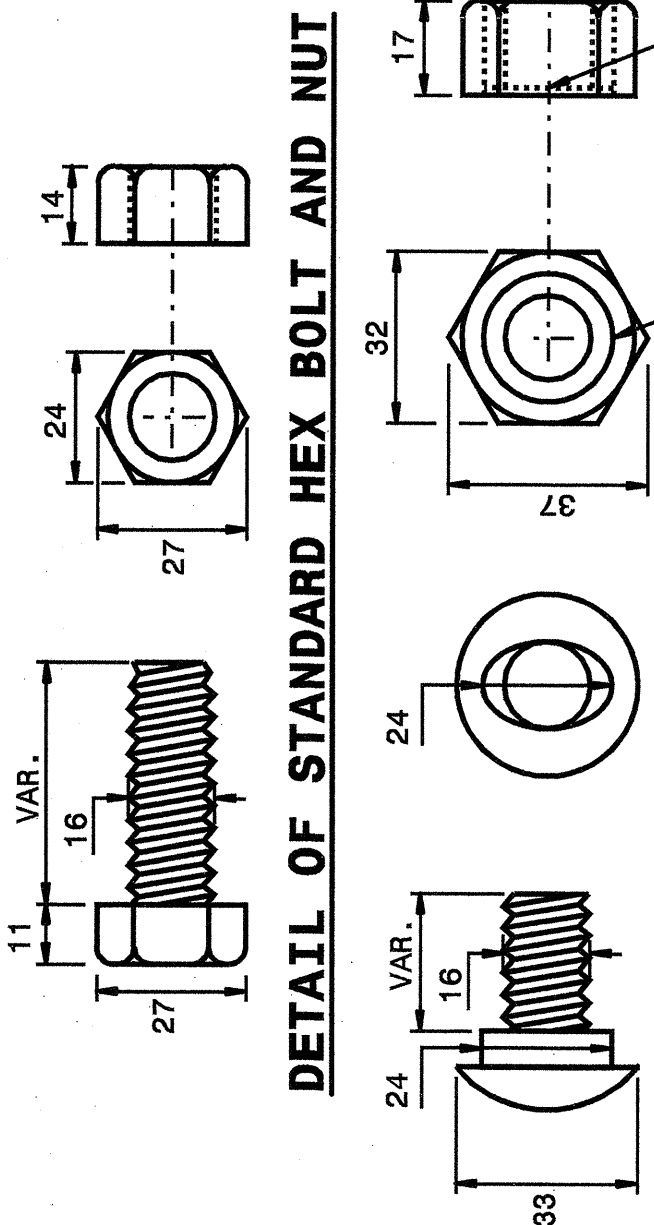
STATE OF
 NORTH CAROLINA
 DEPT. OF TRANSPORTATION
 DIVISION OF HIGHWAYS
 RALEIGH, N.C.

METRIC DETAIL DRAWING FOR
GUARDRAIL INSTALLATION

SHEET 5 OF 7
862D02

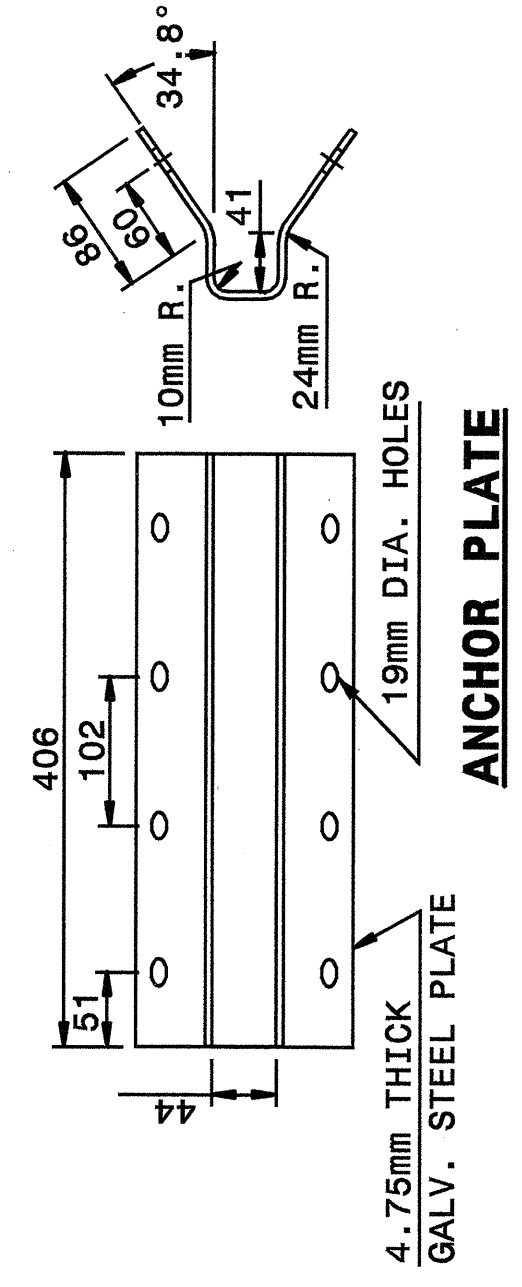
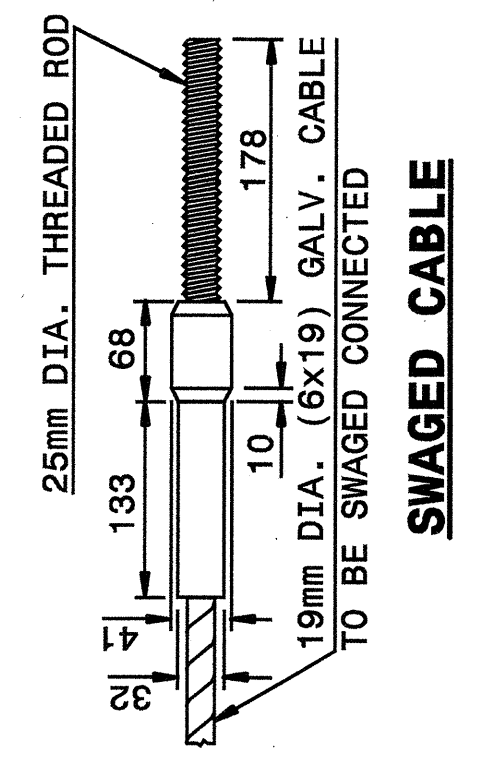
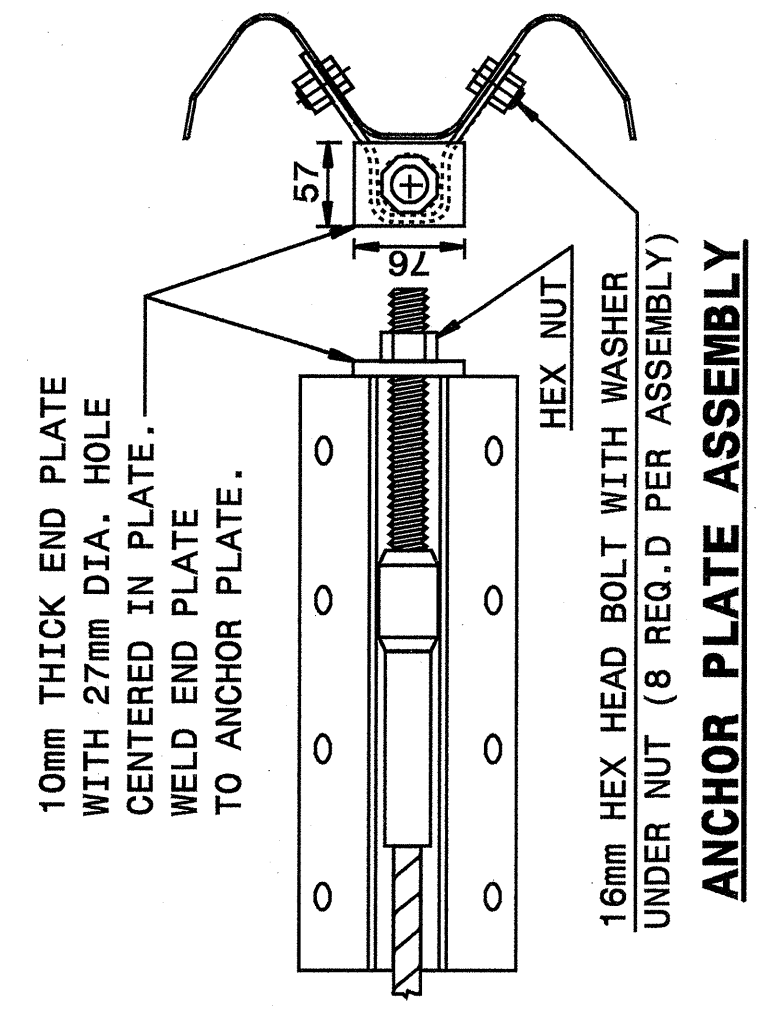


DETAIL OF STANDARD WASHER
 STANDARD WASHER: TYPICAL USE UNDER NUT WITH WOOD POST



Note:
 This drawing is dimensioned in millimeters unless otherwise depicted within the drawing.

SYSTEM PARTS



CABLE ASSEMBLY

SHEET 5 OF 7
862D02

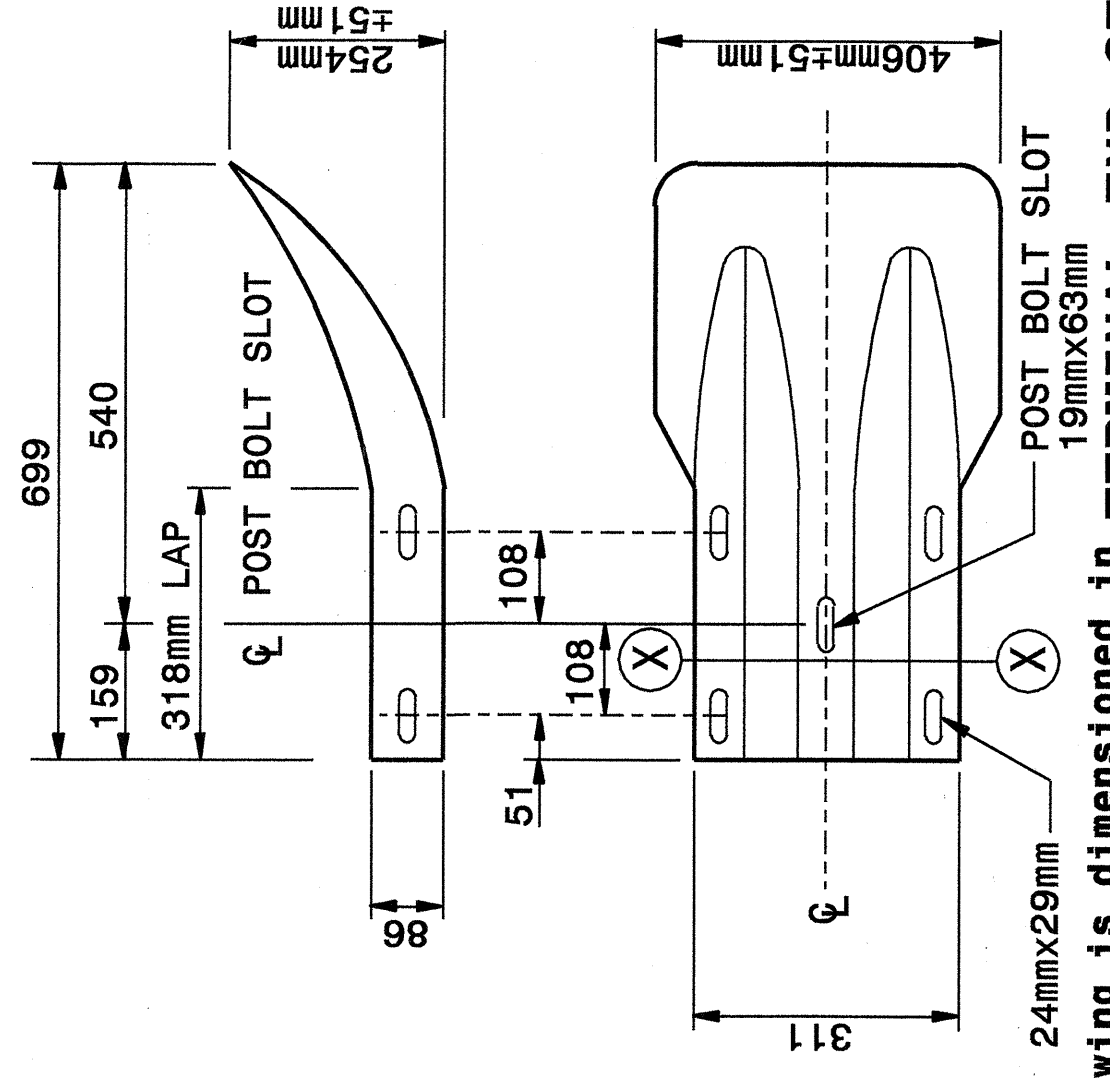
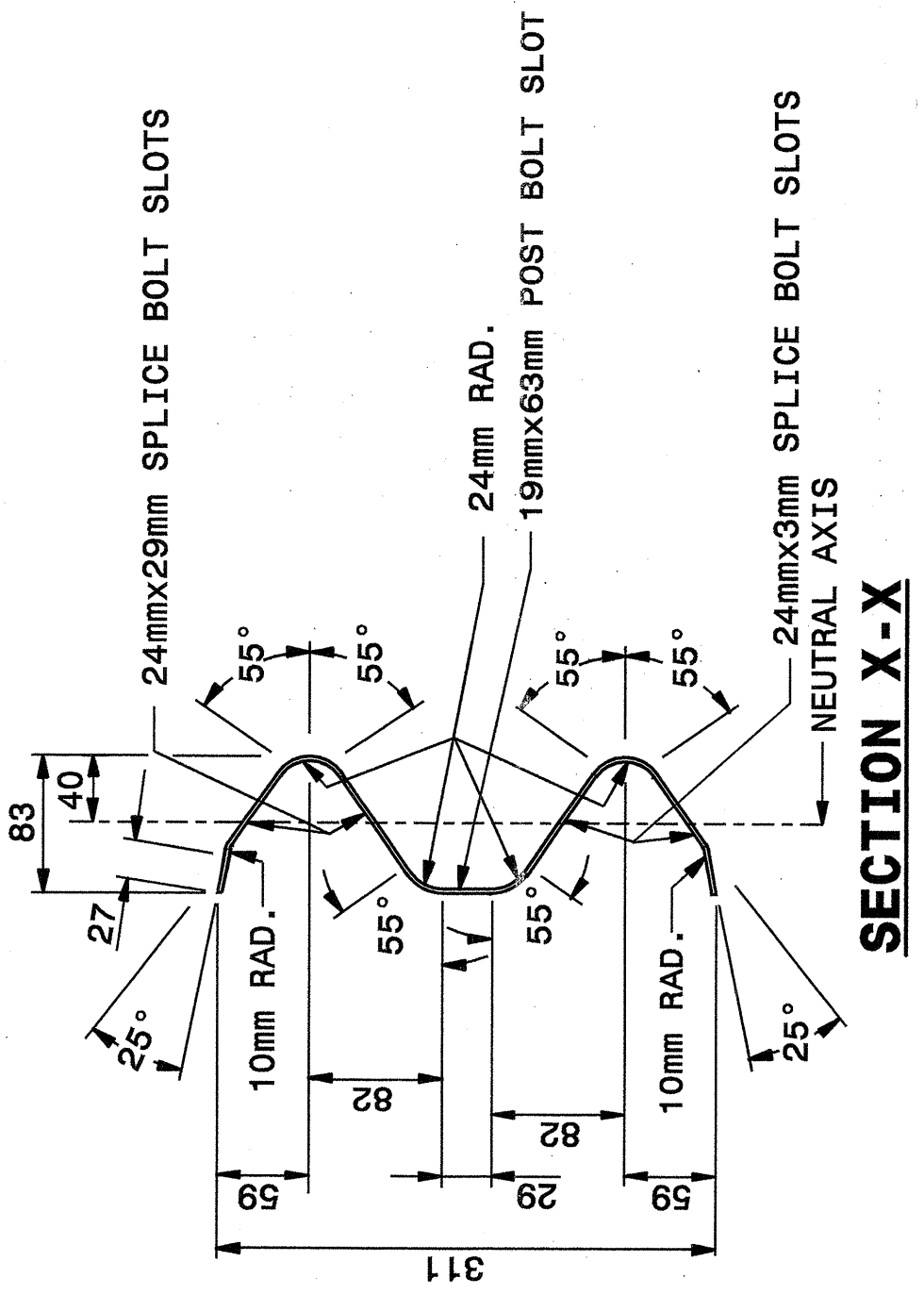
STATE OF
 NORTH CAROLINA
 DEPT. OF TRANSPORTATION
 DIVISION OF HIGHWAYS
 RALEIGH, N.C.

METRIC DETAIL DRAWING FOR
GUARDRAIL INSTALLATION

STATE OF
 NORTH CAROLINA
 DEPT. OF TRANSPORTATION
 DIVISION OF HIGHWAYS
 RALEIGH, N.C.

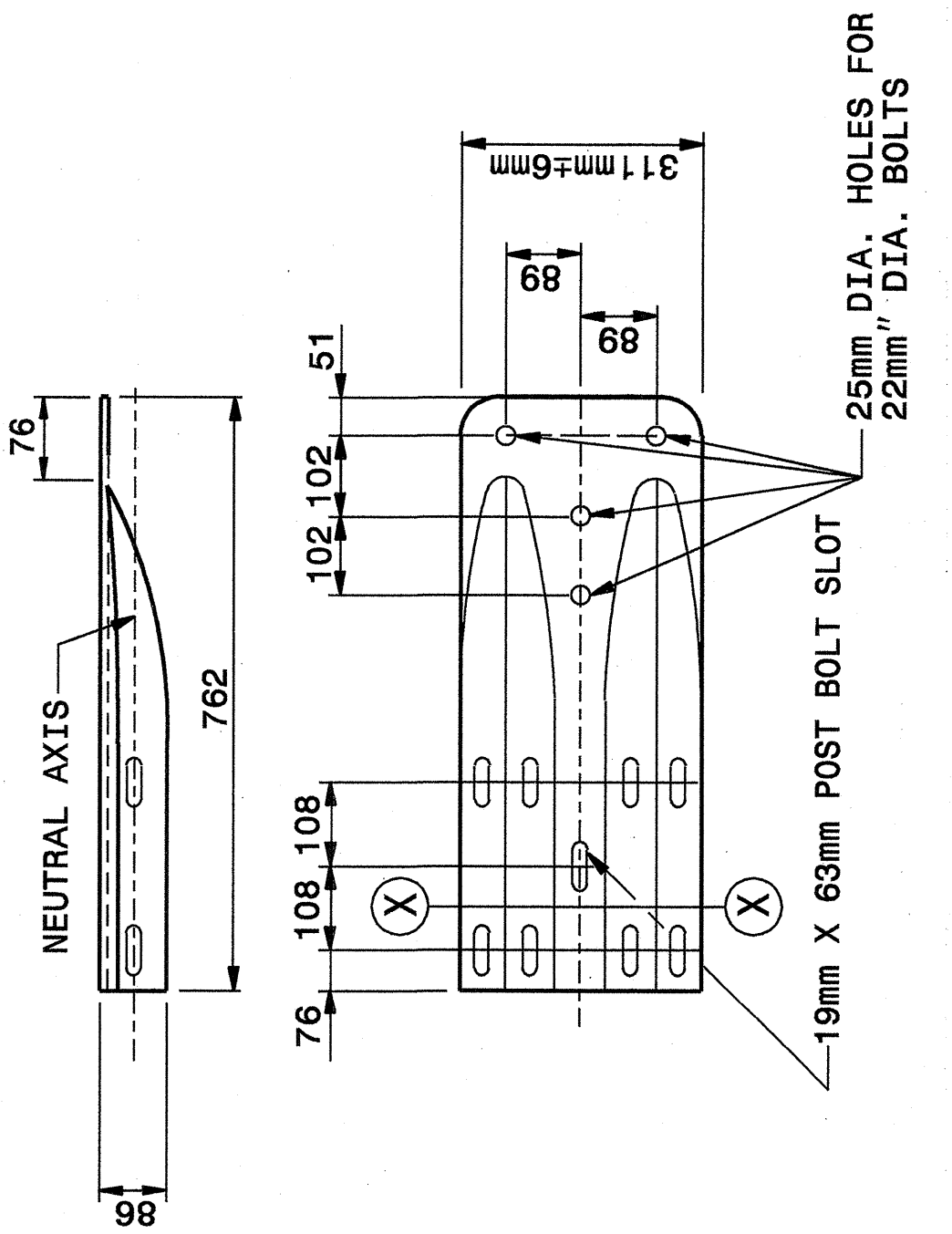
METRIC DETAIL DRAWING FOR
GUARDRAIL INSTALLATION

SHEET 6 OF 7
862D02



Note:
 This drawing is dimensioned in millimeters unless otherwise depicted within the drawing.

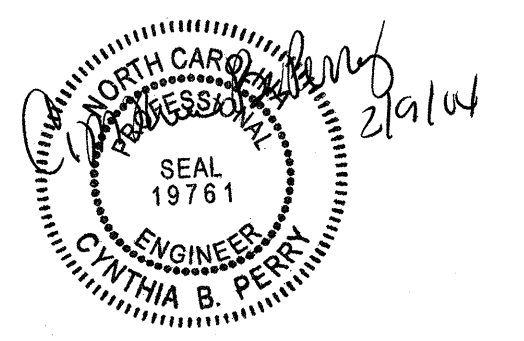
SYSTEM PARTS - GENERAL USE



STATE OF
 NORTH CAROLINA
 DEPT. OF TRANSPORTATION
 DIVISION OF HIGHWAYS
 RALEIGH, N.C.

METRIC DETAIL DRAWING FOR
GUARDRAIL INSTALLATION

SHEET 6 OF 7
862D02



DESIGN SERVICES UNIT
 STANDARDS AND SPECIAL DESIGN
 Office 919-250-4128 FAX 919-250-4119

SEE PLATE FOR TITLE

ORIGINAL BY: 2002 STD.862.02 DATE:
 MODIFIED BY: E.E. WARD DATE: 02-09-03
 CHECKED BY: DATE: 5-03
 FILE SPEC.: Jusr/stds/02todet21/metric/86202/862d02m.dgn

