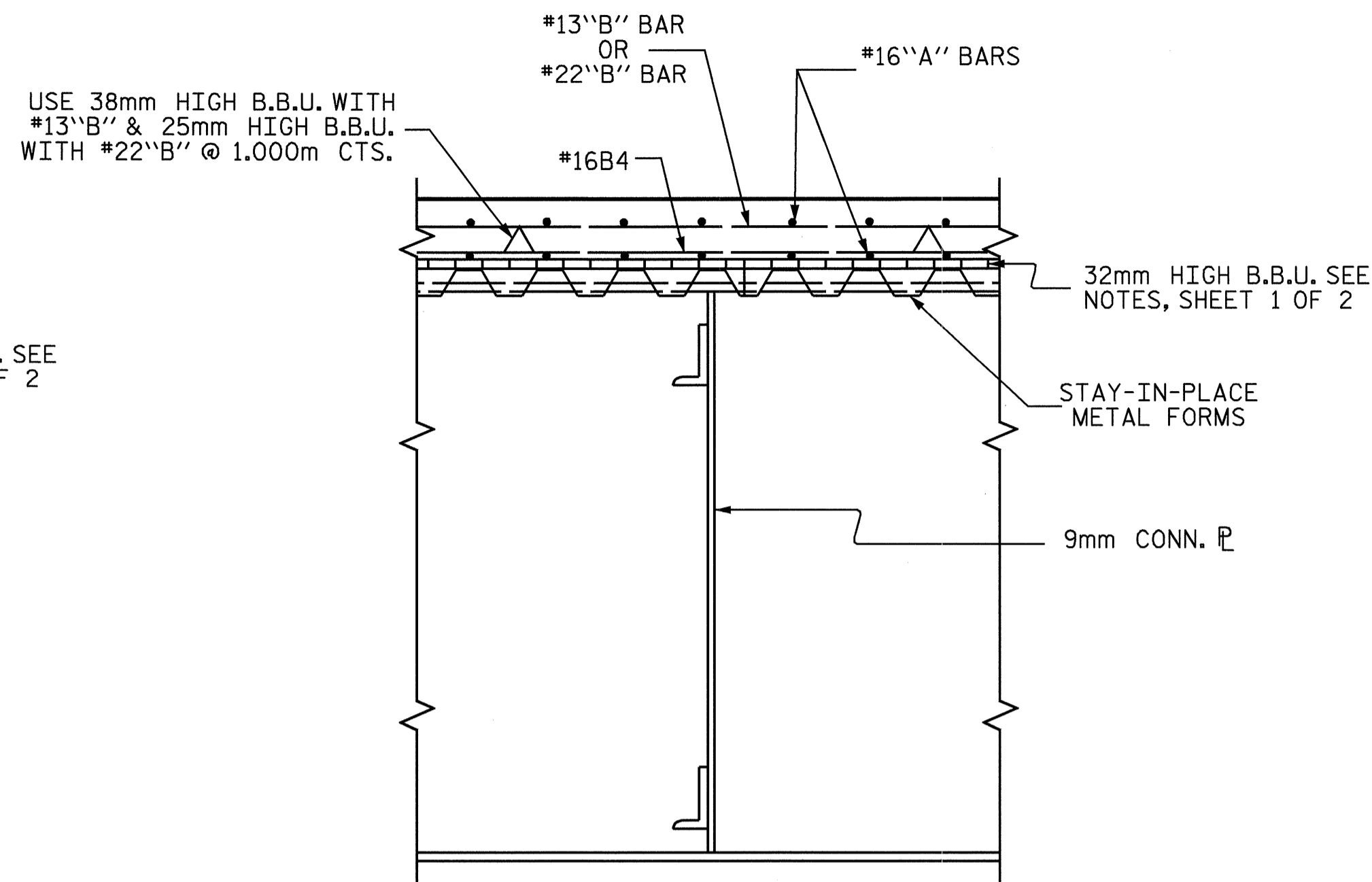
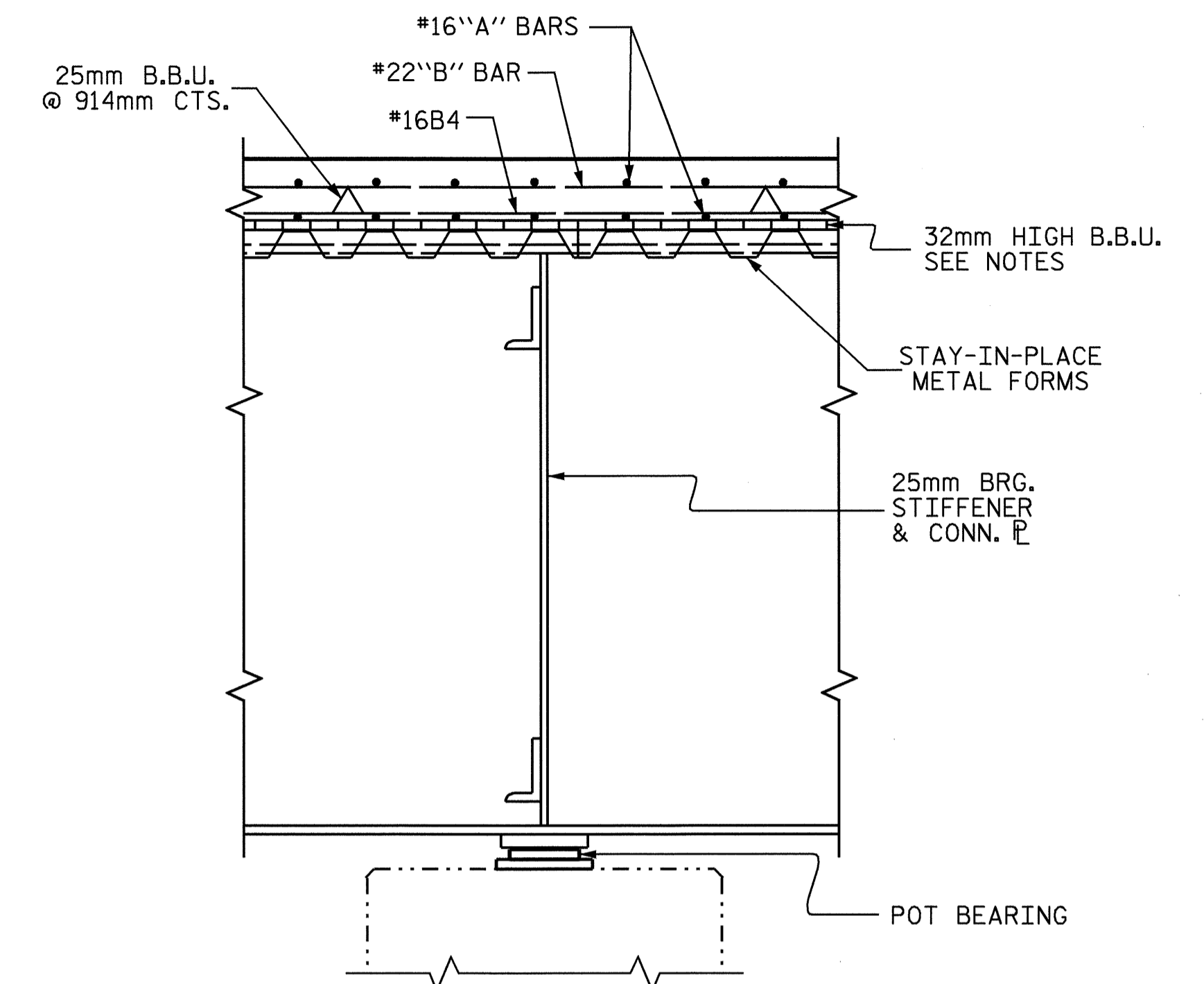


**SECTION THRU END BENT DIAPHRAGM**

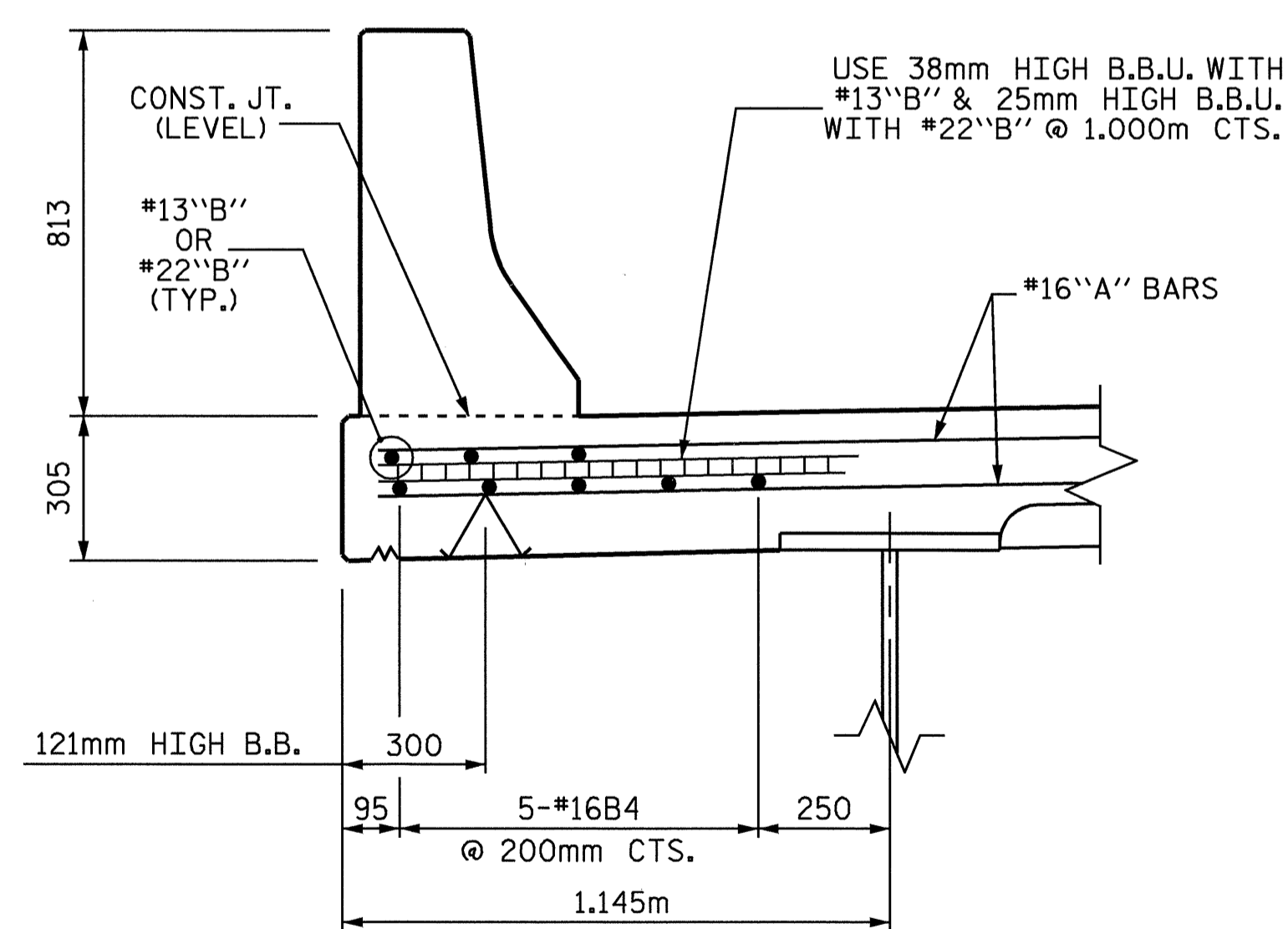
\*#16G1 BAR MAY BE SHIFTED SLIGHTLY, AS NECESSARY, TO CLEAR DIAPHRAGM AND REINFORCING STEEL.



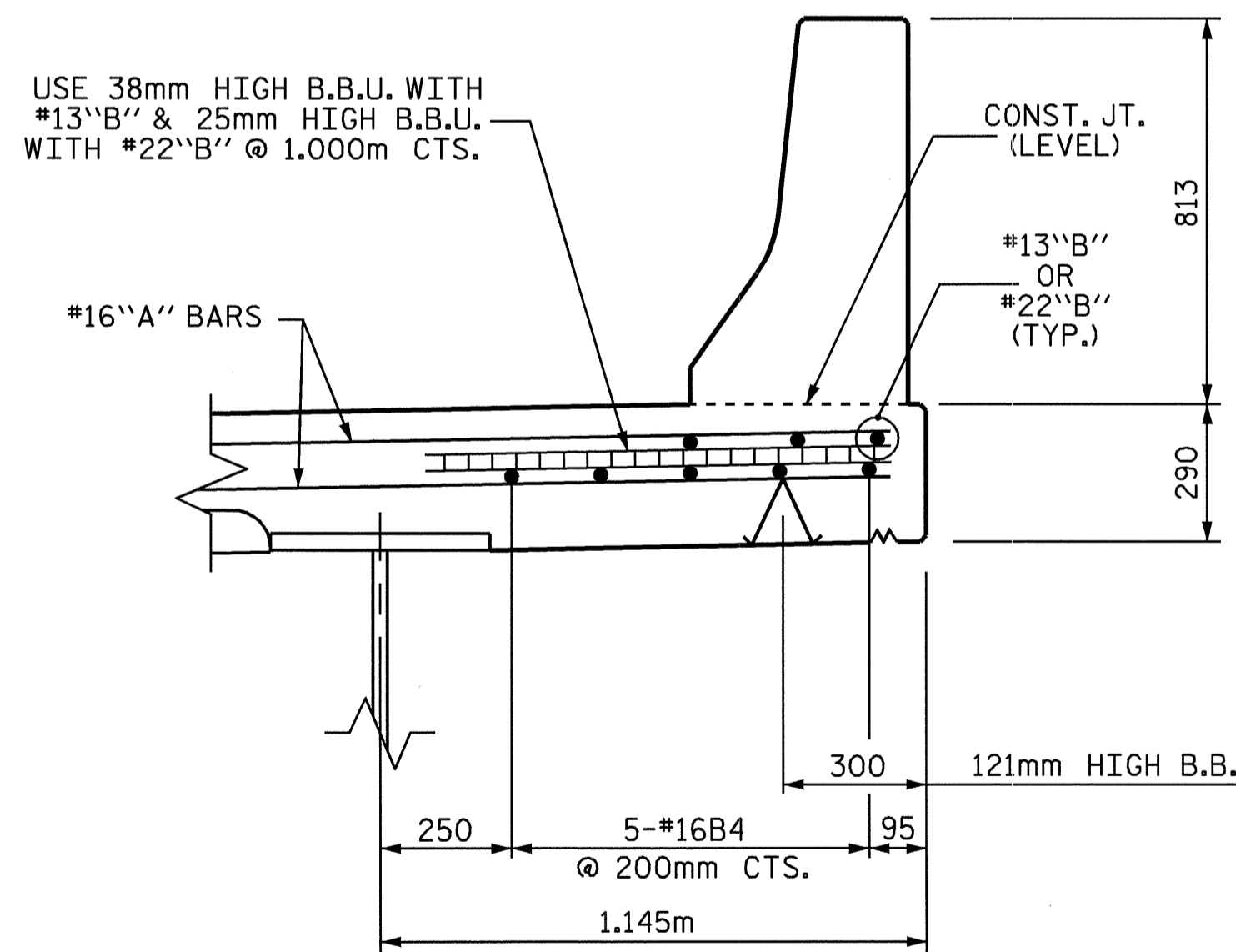
**SECTION THRU INTERMEDIATE DIAPHRAGM**



**SECTION THRU BENT DIAPHRAGM**



**SECTION THRU LEFT OVERHANG**



**SECTION THRU RIGHT OVERHANG**

PROJECT NO. R-2911A  
IREDELL COUNTY  
 STATION: 39+62.402-L-  
 SHEET 2 OF 2



STATE OF NORTH CAROLINA  
 DEPARTMENT OF TRANSPORTATION  
 RALEIGH  
 SUPERSTRUCTURE  
 TYPICAL SECTION  
 LEFT LANE

REVISIONS						SHEET NO.
NO.	BY:	DATE:	NO.	BY:	DATE:	S-5
1			3			TOTAL SHEETS
2			4			106

DRAWN BY: L.L. MURPHY DATE: 01-04  
 CHECKED BY: D. HODGE DATE: 02-04

20-APR-2004 16:53  
 w:\sdquady\2911a\lmurphy\Microstation\str #\R2911A.sd.TS.01.dgn  
 lmurphy

STR #1