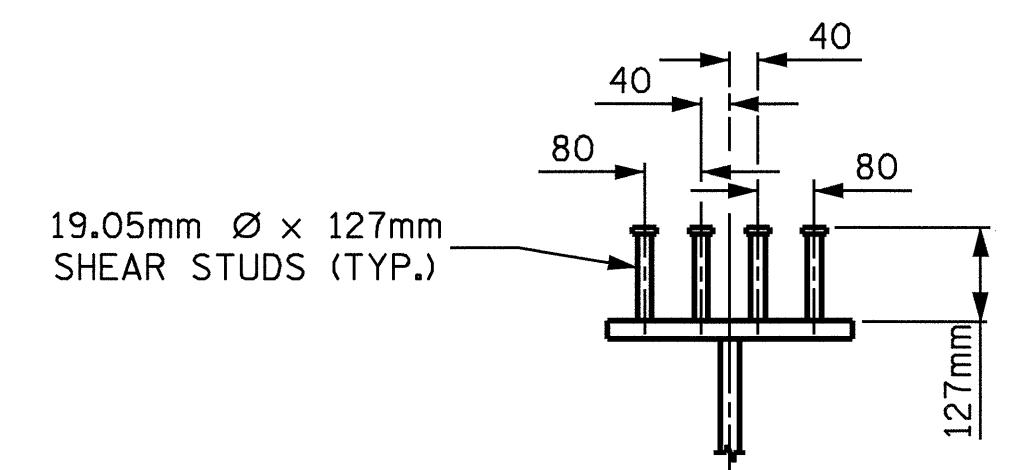
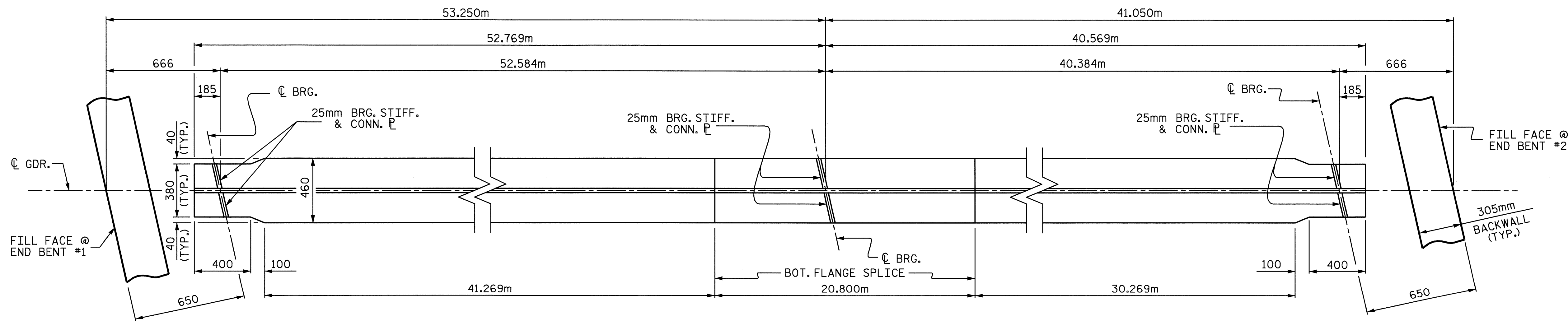


GIRDER ELEVATION

4 SHEAR STUDS PER ROW EXCEPT ON THE FIELD SPLICE (INTERMEDIATE DIAPHRAGMS NOT SHOWN)



SHEAR STUD DETAILS
ON TOP FLANGE PLATES



BOTTOM FLANGE DETAIL

(INTERMEDIATE DIAPHRAGMS NOT SHOWN)

PROJECT NO. R-2911A
IREDELL COUNTY
 STATION: 39+62.402-L-

SHEET 1 OF 3



STATE OF NORTH CAROLINA DEPARTMENT OF TRANSPORTATION RALEIGH						SHEET NO. S-9
SUPERSTRUCTURE						TOTAL SHEETS 106
STRUCTURAL STEEL						
LEFT LANE						
REVISIONS						
NO.	BY:	DATE:	NO.	BY:	DATE:	
1			3			
2			4			

DRAWN BY: L.L. MURPHY DATE: 01-04
 CHECKED BY: D. HODGE DATE: 02-04

24-JUN-2004 09:37
 W:\squadry\r2911a\Final plans\R2911A_sd_SS_01.dgn
 ciewls

STR #1