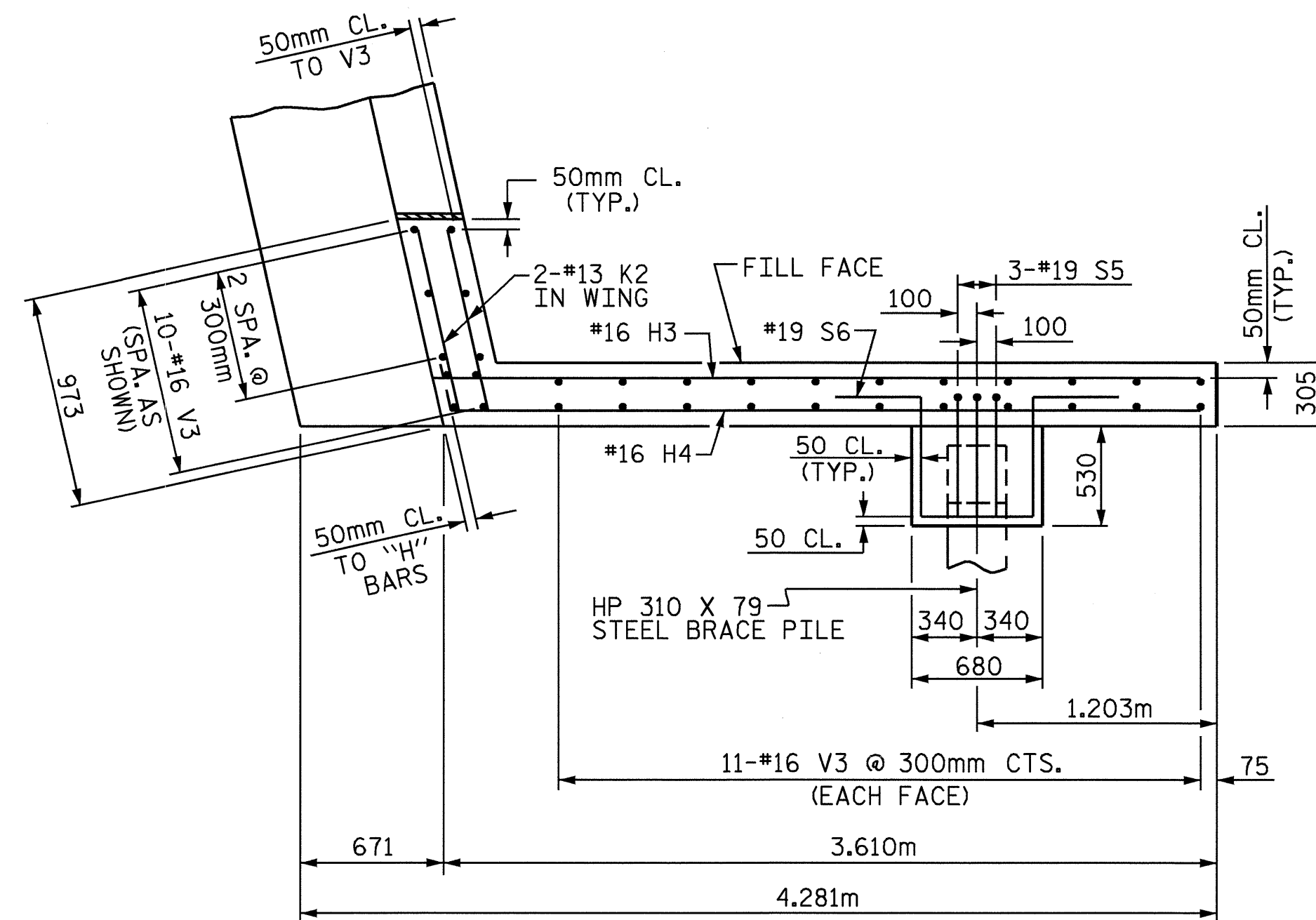
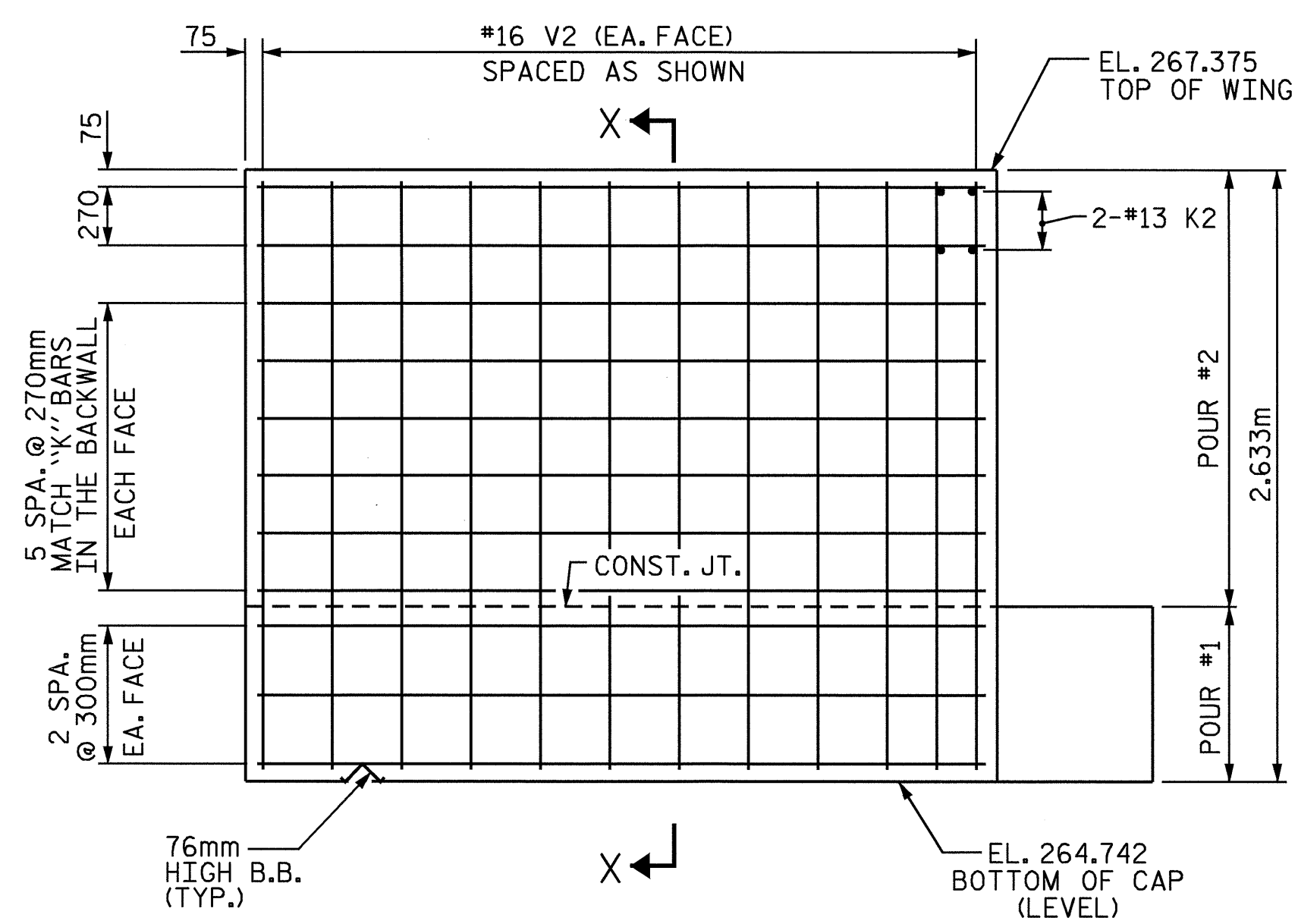


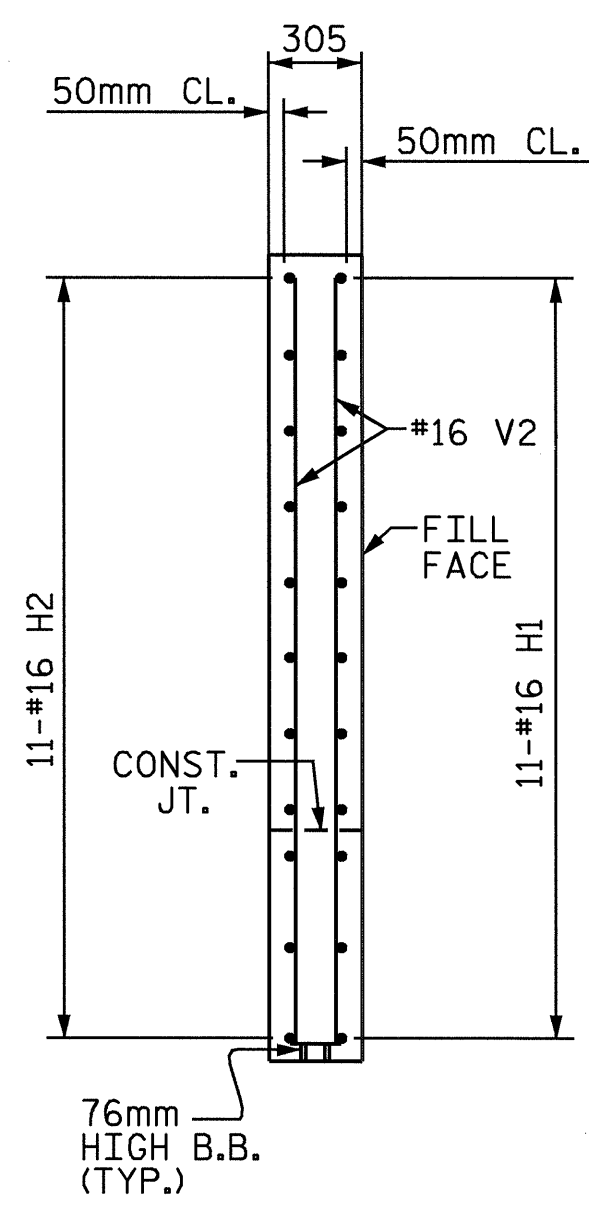
PLAN OF LEFT WING W1



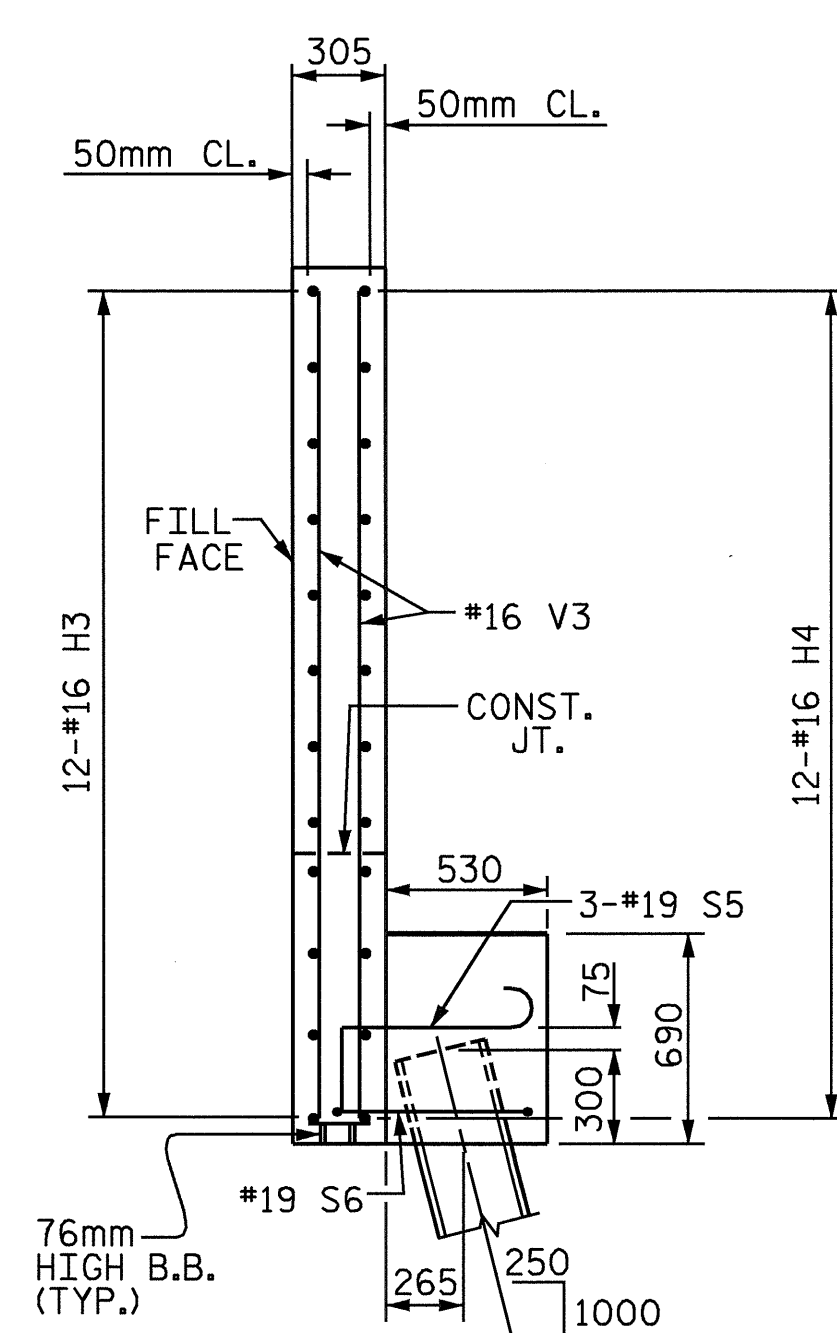
PLAN OF RIGHT WING W2



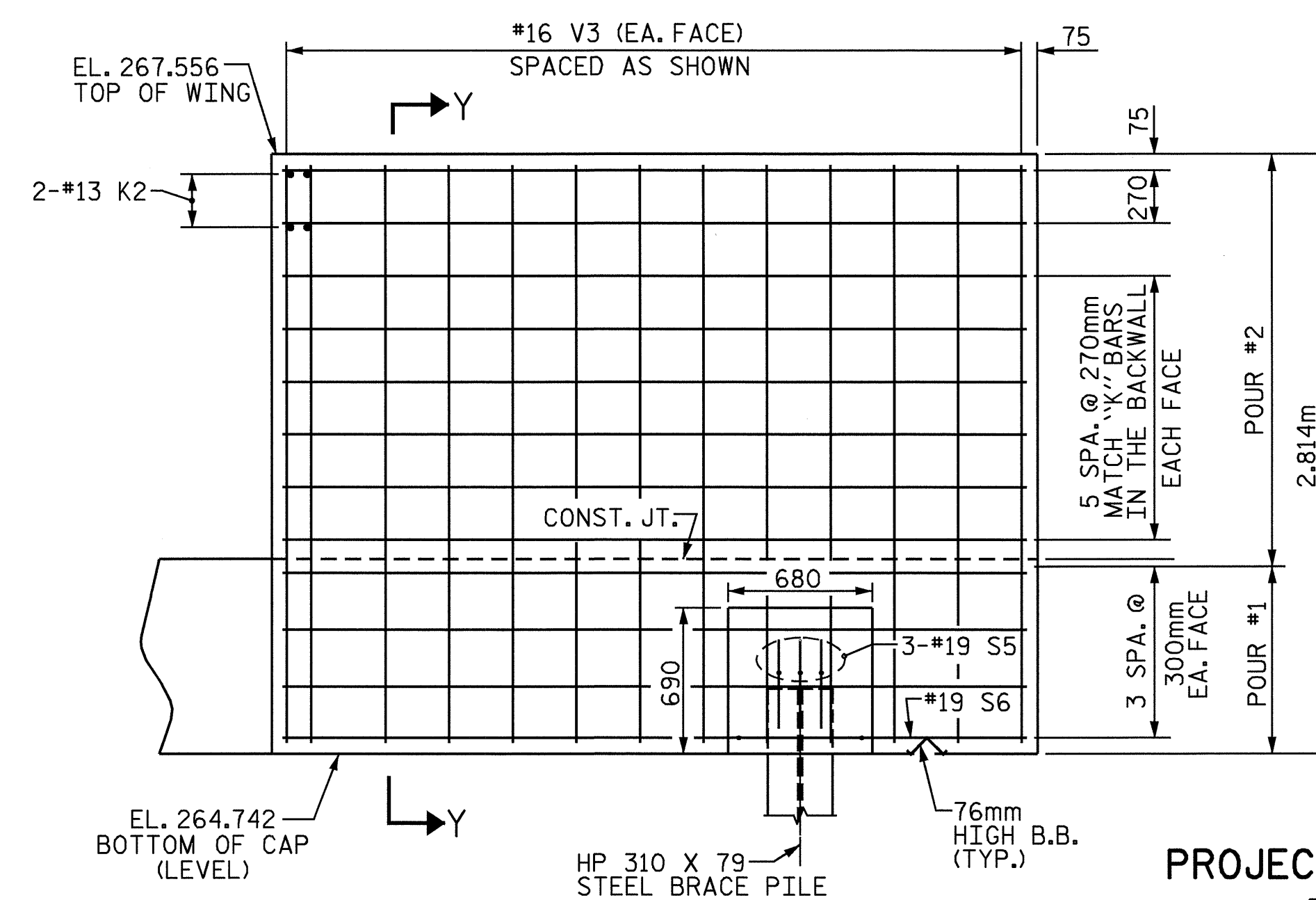
ELEVATION OF LEFT WING W1



SECTION X-X



SECTION Y-Y



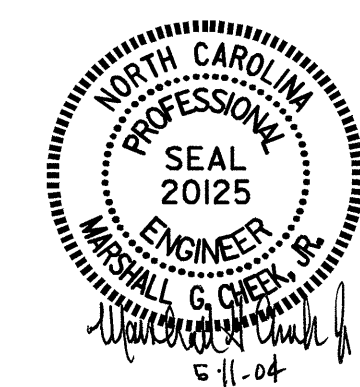
ELEVATION OF RIGHT WING W2

PROJECT NO. R-2911A  
IREDELL COUNTY  
 STATION: 39+62.402 -L-

SHEET 2 OF 3

STATE OF NORTH CAROLINA  
 DEPARTMENT OF TRANSPORTATION  
 RALEIGH

SUBSTRUCTURE  
 END BENT #2  
 LEFT LANE



REVISIONS						SHEET NO.	
NO.	BY:	DATE:	NO.	BY:	DATE:	S-24	
1			3			TOTAL SHEETS 106	
2			4				

DRAWN BY: QT NGUYEN DATE: 2-04  
 CHECKED BY: L.L. MURPHY DATE: 3-04

07-MAY-2004 12:16  
 W:\sdquady\r291a\Final plans\r291ale.dgn  
 clewis

STR. #1