

NOTES

THE COST OF THE BARRIER RAIL ON THE APPROACH SLAB SHALL BE INCLUDED IN THE LUMP SUM CONTRACT PRICE BID FOR BRIDGE APPROACH SLABS.

APPROACH SLAB SHALL NOT BE CONSTRUCTED PRIOR TO COMPLETION OF THE BRIDGE DECK.

FOR REINFORCED BRIDGE APPROACH FILL INCLUDING FABRIC, IMPERMEABLE GEOMEMBRANE, 102mm Ø DRAINAGE PIPE, #78M STONE, AND SELECT MATERIAL, SEE ROADWAY PLANS.

TEMPORARY DRAINAGE AND TEMPORARY BERM AND SLOPE DRAINS WILL BE PAID FOR UNDER THE LUMP SUM PRICE FOR BRIDGE APPROACH SLAB.

AREA BETWEEN THE WINGWALL AND APPROACH SLAB SHALL BE GRADED TO DRAIN THE WATER AWAY FROM THE FILL FACE OF THE BRIDGE AND SHALL BE PAVED. SEE ROADWAY PLANS.

THE 150mm COMP. A.B.C. SHALL EXTEND 3m BEYOND THE END OF THE APPROACH SLAB AND 300mm OUTSIDE OF EACH EDGE OF THE SLAB.

THE CONTRACTOR MAY USE 100mm TYPE B-25.0B ASPHALT CONCRETE COURSE IN LIEU OF 150mm COMP. A.B.C. IF THIS OPTION IS USED, THE BASE COURSE SHALL EXTEND 300mm BEYOND THE END OF THE APPROACH SLAB AND THE WIDTH SHALL BE THE SAME AS THAT OF THE APPROACH SLAB.

THE CONTRACTOR MAY USE 125mm CLASS "A" CONCRETE BASE IN LIEU OF 150mm COMP. A.B.C. IF THIS OPTION IS USED, THE CONCRETE BASE SHALL EXTEND 300mm BEYOND THE END OF THE APPROACH SLAB AND THE WIDTH SHALL BE THE SAME AS THAT OF THE APPROACH SLAB. THE CONCRETE SHALL BE FINISHED TO A SMOOTH SURFACE AND A LAYER OF 13.6 kg. ROOFING FELT SHALL BE PLACED BETWEEN THE CONCRETE BASE AND THE APPROACH SLAB TO PREVENT BOND. THE APPROACH SLAB SHALL NOT BE CAST UNTIL THE CONCRETE BASE HAS REACHED AN AGE OF THREE CURING DAYS.

APPROACH SLAB GROOVING IS NOT REQUIRED. TINE CONCRETE ONLY WITHIN THE LIMITS OF THE ASPHALT PAVEMENT AND IN ACCORDANCE WITH ARTICLE 422-3 OF THE STANDARD SPECIFICATIONS.

WITH EVAZOTE JOINT SEAL

FOR EVAZOTE JOINT SEALS, SEE SPECIAL PROVISIONS.

THE NOMINAL UNCOMPRESSED SEAL WIDTH OF THE EVAZOTE JOINT SEAL SHALL BE 64mm.

BILL OF MATERIAL

FOR ONE APPROACH SLAB (2 REQ'D)

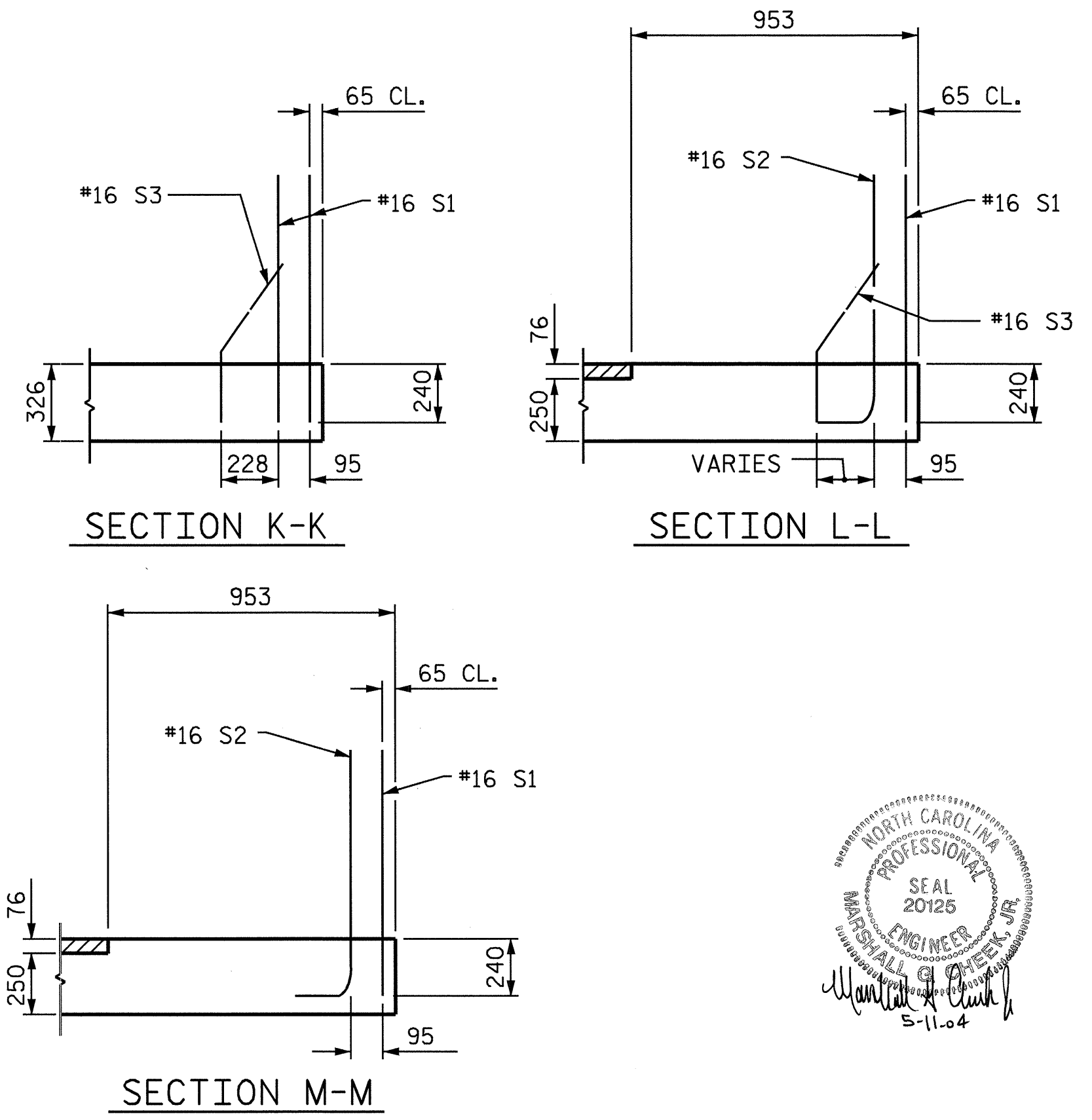
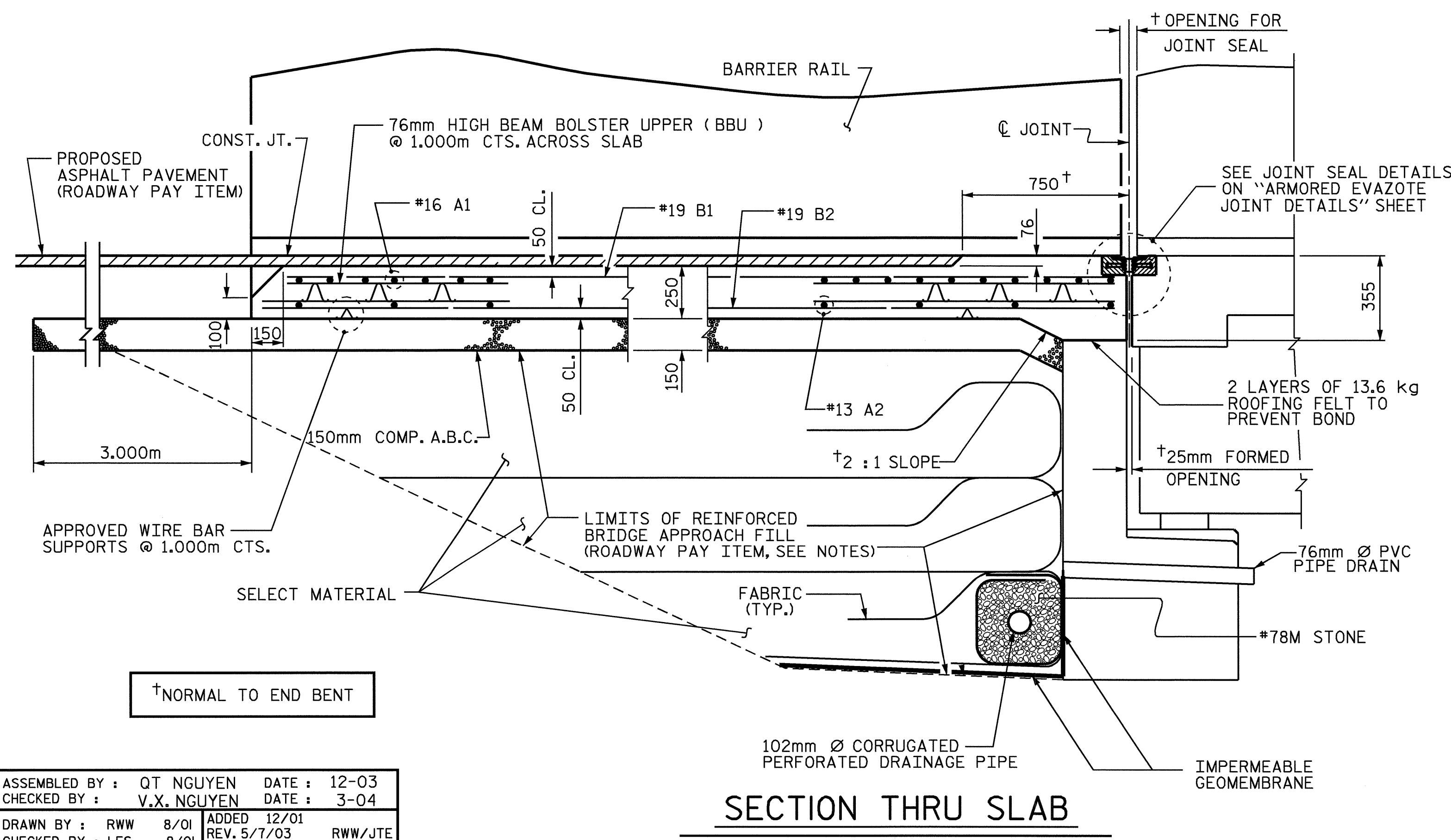
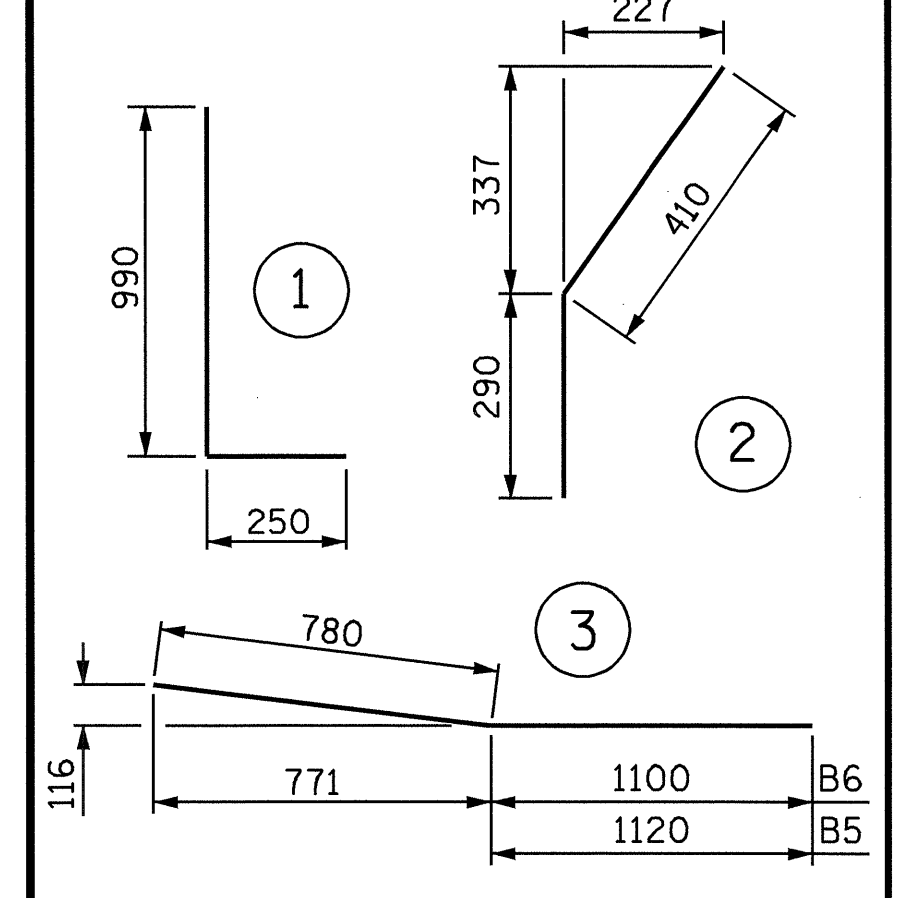
BAR	NO.	SIZE	TYPE	LENGTH	WEIGHT
*A1	23	#16	STR	11560	413
A2	18	#13	STR	6060	108
*B1	78	#19	STR	3340	582
B2	78	#19	STR	3560	621
*B3	7	#16	STR	3480	38
*B4	7	#16	STR	3500	38
*B5	1	#16	STR	1880	3
*B6	1	#16	3	1900	3
*S1	58	#16	STR	1000	90
*S2	42	#16	1	1240	81
*S3	20	#16	2	700	22

REINFORCING STEEL	kg.	729
*EPOXY COATED REINFORCING STEEL	kg.	1270

CLASS AA CONCRETE BREAKDOWN

POUR 1 SLAB	C. M.	11.7
POUR 2 RAIL	C. M.	1.5
CLASS AA CONCRETE	C. M.	13.2

BAR TYPES



PROJECT NO. R-2911A
 IREDELL COUNTY
 STATION: 39+62.402 -L-

SHEET 1 OF 3

STATE OF NORTH CAROLINA
 DEPARTMENT OF TRANSPORTATION
 RALEIGH
 STANDARD
 BRIDGE APPROACH SLAB
 FOR FLEXIBLE PAVEMENT
 WITH BARRIER RAIL
 LEFT LANE

REVISIONS				SHEET NO.
NO.	BY:	DATE:	NO.	DATE:
1			3	
2			4	

TOTAL SHEETS: 106

ASSEMBLED BY : QT NGUYEN DATE : 12-03
 CHECKED BY : V.X. NGUYEN DATE : 3-04
 DRAWN BY : RWW 8/01
 CHECKED BY : LES 8/01

ADDED 12/01
 REV. 5/7/03 RWW/JTE