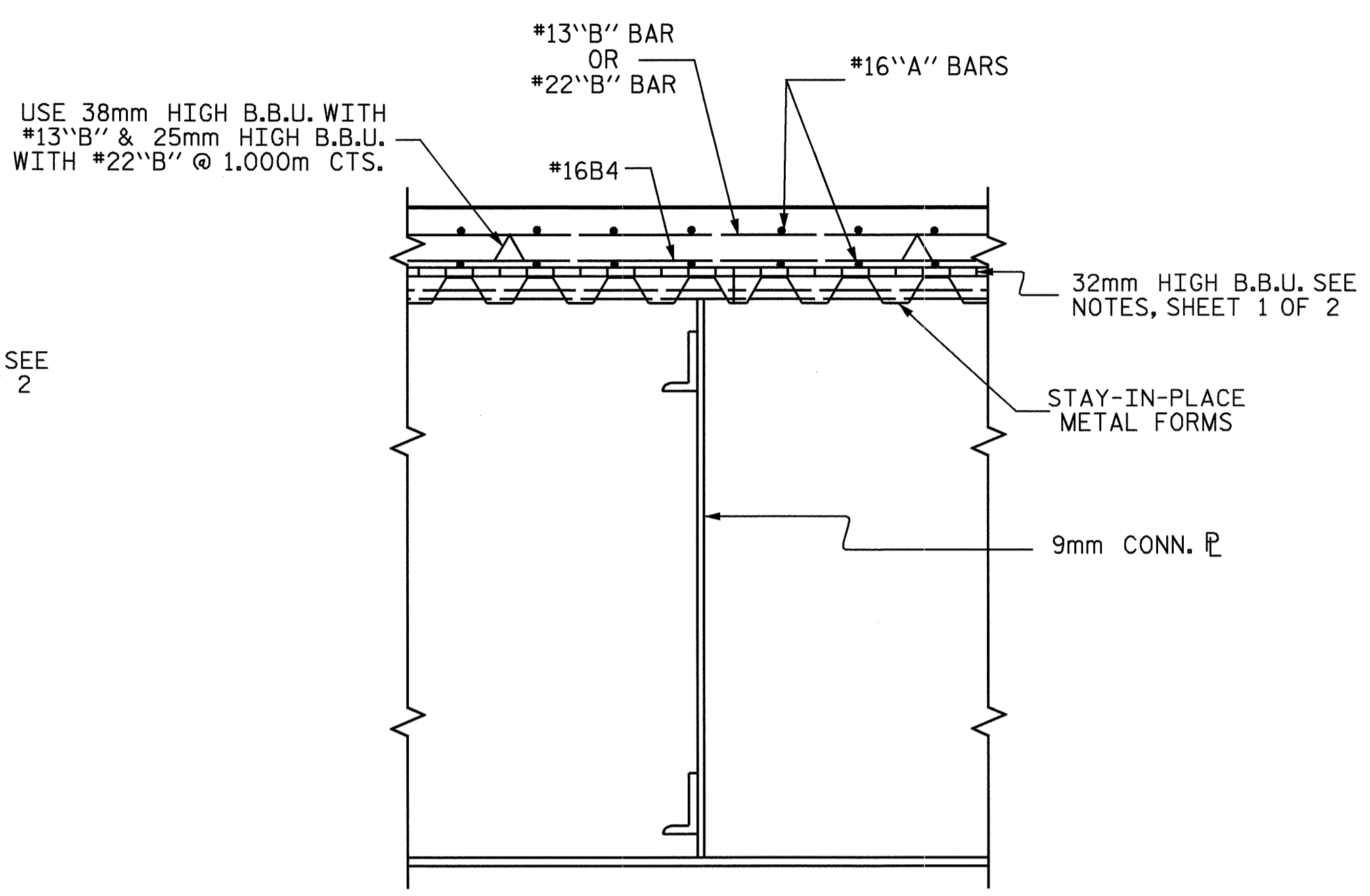
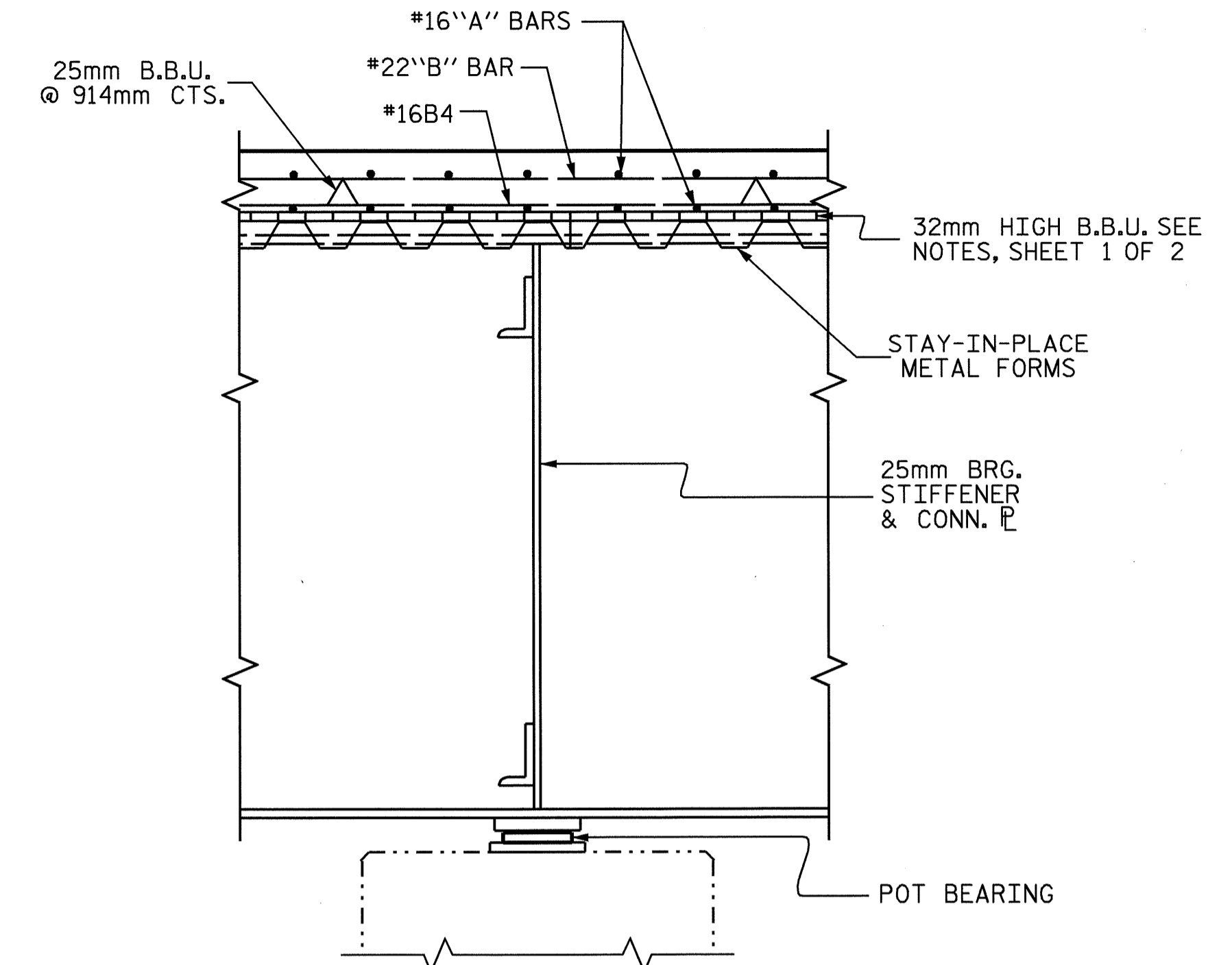


SECTION THRU END BENT DIAPHRAGM

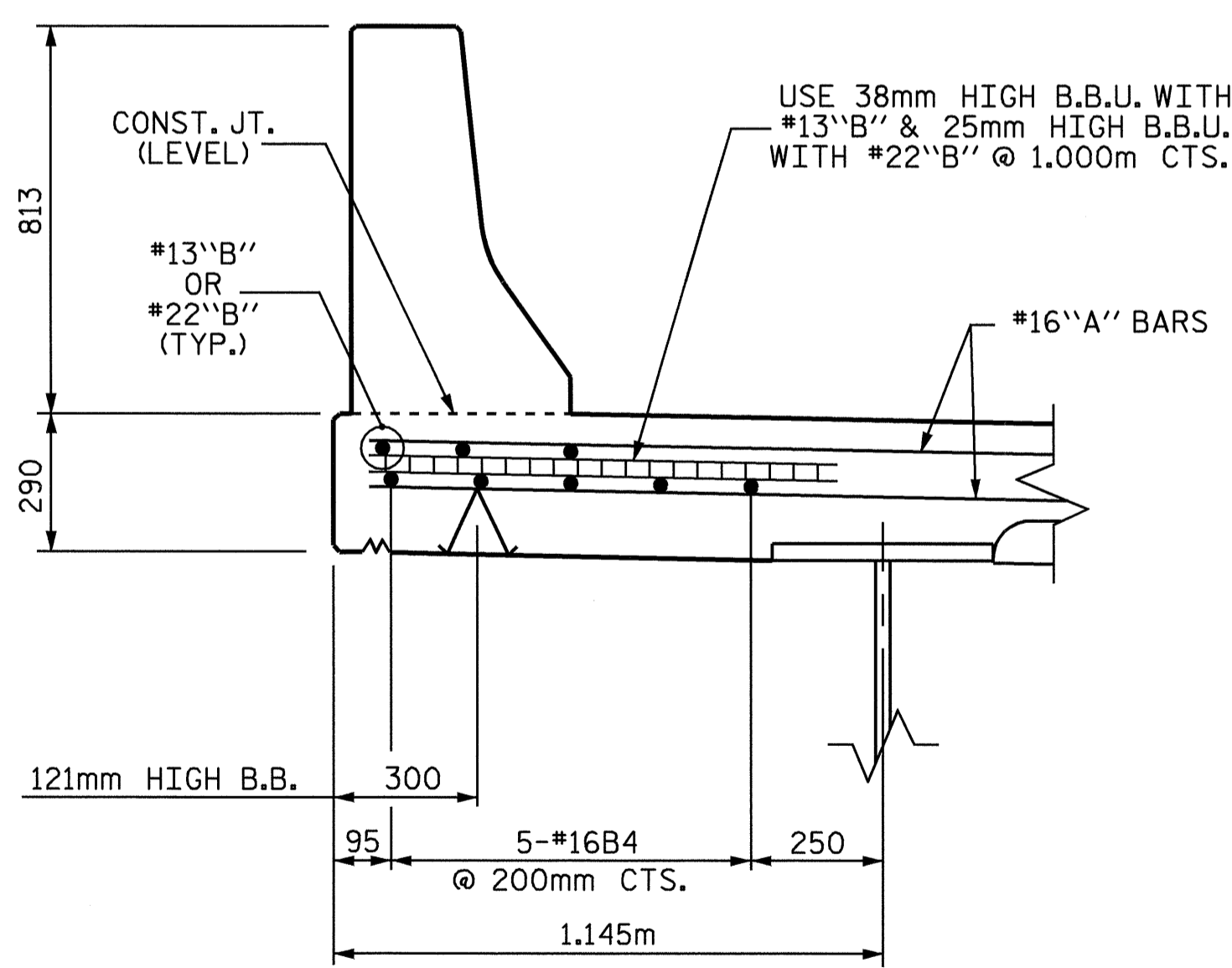
*#16G1 BAR MAY BE SHIFTED SLIGHTLY, AS NECESSARY, TO CLEAR DIAPHRAGM AND REINFORCING STEEL.



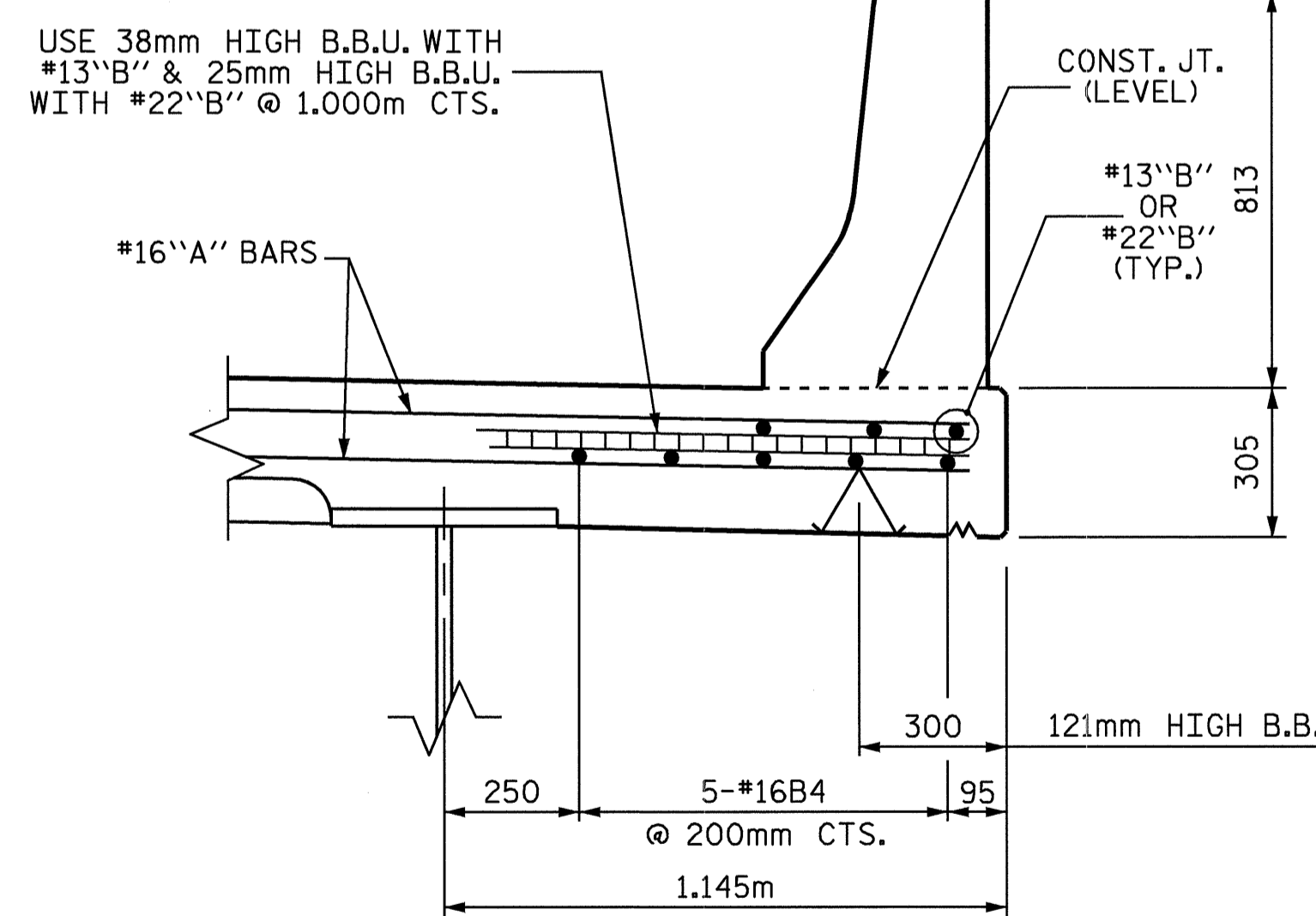
SECTION THRU INTERMEDIATE DIAPHRAGM



SECTION THRU BENT DIAPHRAGM



SECTION THRU LEFT OVERHANG



SECTION THRU RIGHT OVERHANG

PROJECT NO. R-2911A
 IREDELL COUNTY
 STATION: 39+62.402-L-
 SHEET 2 OF 2



STATE OF NORTH CAROLINA
 DEPARTMENT OF TRANSPORTATION
 RALEIGH
 SUPERSTRUCTURE
 TYPICAL SECTION
 RIGHT LANE

DRAWN BY : L.L. MURPHY DATE : 01-04
 CHECKED BY : D. HODGE DATE : 04-04

20-APR-2004 16:58
 w:\sdquady\r2911a\lmurphy\Microstation\str #2\R2911A.sd.TS.02.dgn
 lmurphy

REVISIONS				SHEET NO.	
NO.	BY:	DATE:	NO.	BY:	DATE:
1			3		
2			4		

TOTAL SHEETS 106