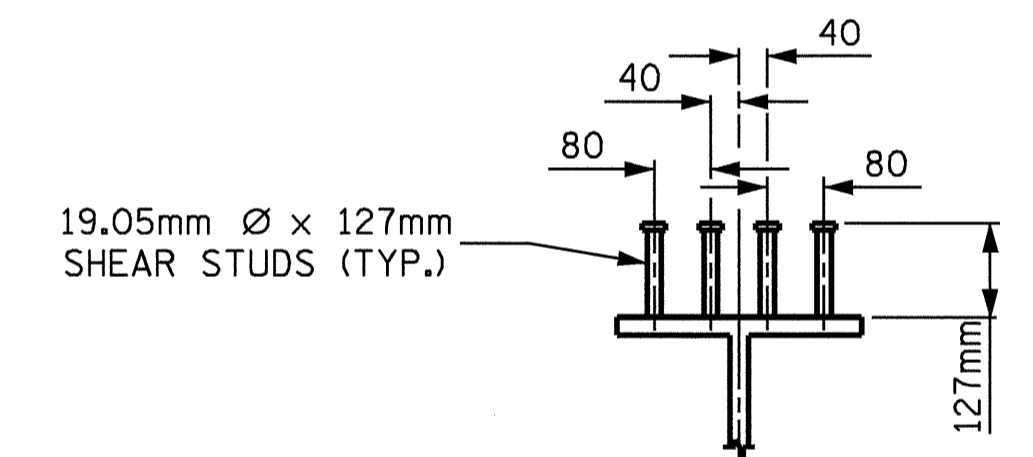
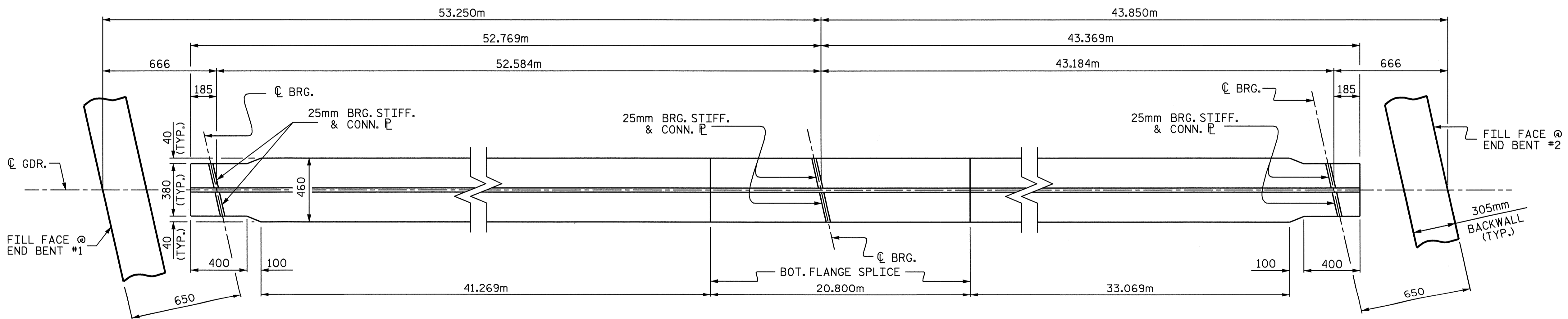


GIRDER ELEVATION

4 SHEAR STUDS PER ROW EXCEPT ON THE FIELD SPLICE P
(INTERMEDIATE DIAPHRAGM NOT SHOWN)



SHEAR STUD DETAILS
ON TOP FLANGE PLATES



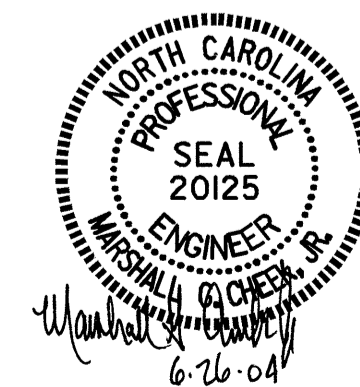
BOTTOM FLANGE DETAIL

(INTERMEDIATE DIAPHRAGM NOT SHOWN)

PROJECT NO. R-2911A
IREDELL COUNTY
STATION: 39+62.402-L-

SHEET 1 OF 3

STATE OF NORTH CAROLINA
DEPARTMENT OF TRANSPORTATION
RALEIGH
SUPERSTRUCTURE
STRUCTURAL STEEL
RIGHT LANE



DRAWN BY: L.L. MURPHY DATE: 02-04
CHECKED BY: D. HODGE DATE: 04-04

24-JUN-2004 09:37
W:\sqduady\R2911a\Final plans\R2911A_sd_SS_02.dgn
clewis

REVISIONS					SHEET NO.
NO.	BY:	DATE:	NO.	BY:	DATE:
1			3		
2			4		

TOTAL SHEETS: 106

STR #2