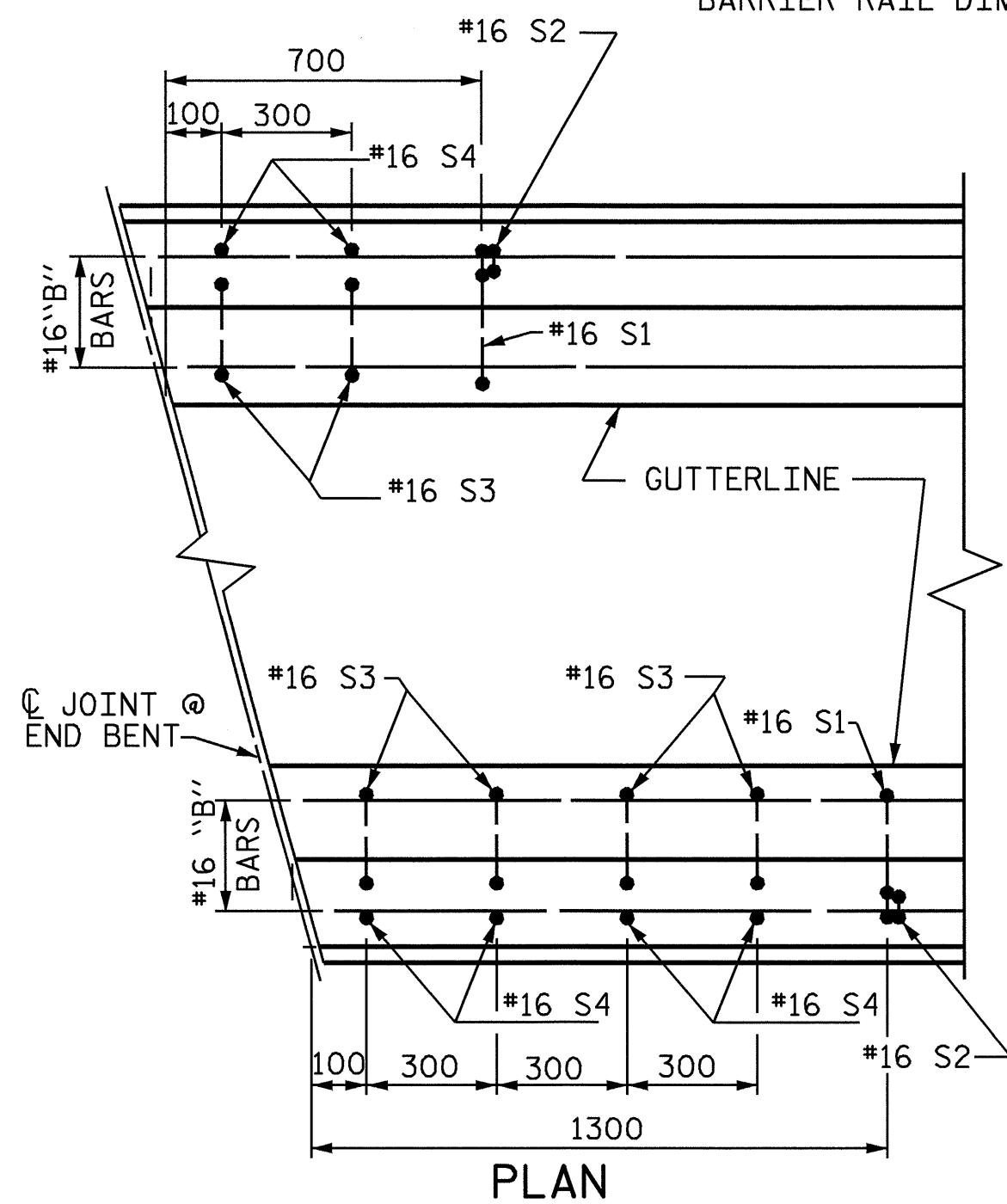
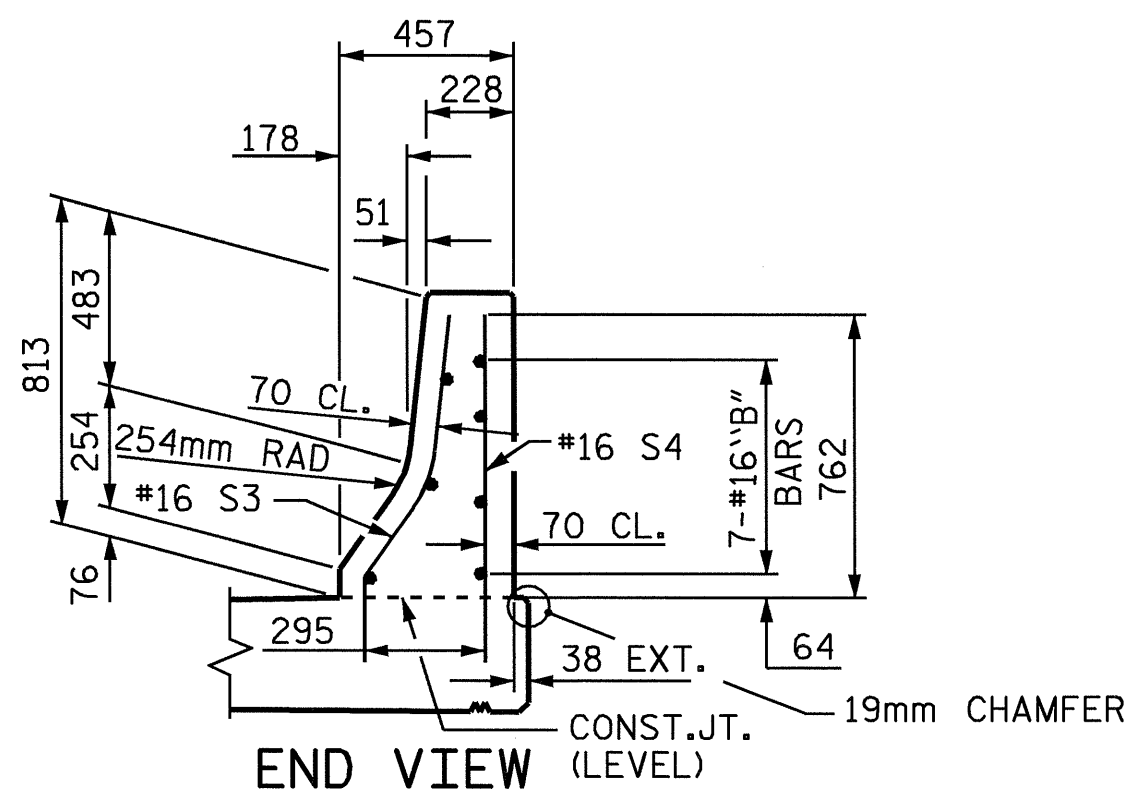


PLAN

BARRIER RAIL DIMENSIONS ARE TAKEN ALONG OUTSIDE FACE OF BARRIER RAIL



PLAN



END VIEW

END OF RAIL DETAILS

NOTES

THE BARRIER RAIL IN A CONTINUOUS UNIT SHALL NOT BE CAST UNTIL ALL SLAB CONCRETE IN THAT UNIT HAS BEEN CAST AND HAS REACHED A MINIMUM COMPRESSIVE STRENGTH OF 20.7 MPa.

ALL REINFORCING STEEL IN BARRIER RAILS SHALL BE EPOXY COATED.

VERTICAL GROOVED CONTRACTION JOINTS, 12mm IN DEPTH, SHALL BE TOOLED IN ALL EXPOSED FACES OF THE BARRIER RAIL AND IN ACCORDANCE WITH ARTICLE 825-10(B) OF THE STANDARD SPECIFICATIONS. THE CONTRACTION JOINT SHALL BE LOCATED AT EACH THIRD POINT BETWEEN BARRIER RAIL EXPANSION JOINTS. ONLY ONE CONTRACTION JOINT IS REQUIRED AT MIDPOINT OF BARRIER RAIL SEGMENTS LESS THAN 6.1m IN LENGTH AND NO CONTRACTION JOINTS ARE REQUIRED FOR THOSE SEGMENTS LESS THAN 3.5m IN LENGTH.

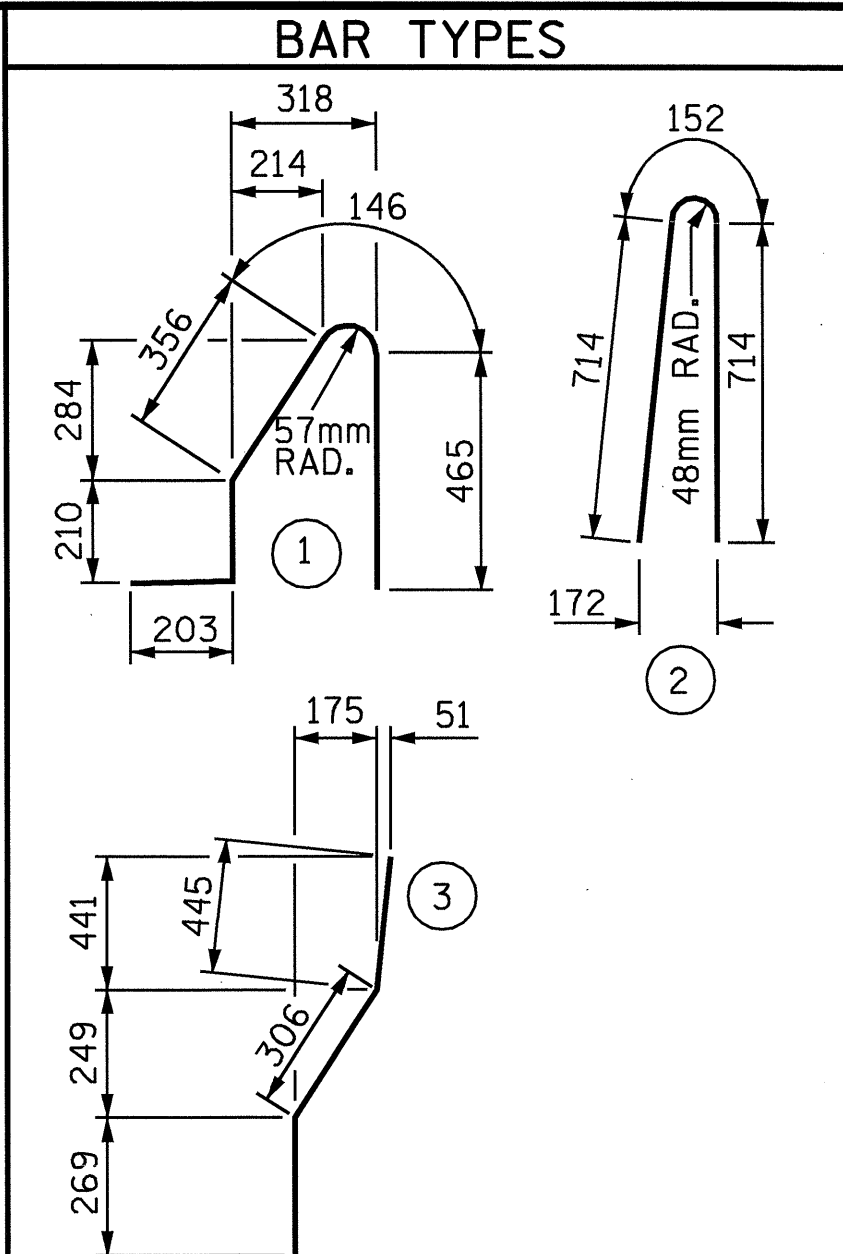
#16S1 AND S2 BARS MAY BE SHIFTED SLIGHTLY IN ORDER TO MAINTAIN A 50mm MINIMUM CLEARANCE TO THE 13mm EXPANSION JOINT MATERIAL IN THE RAIL.

FOR REINFORCING STEEL IN END OF BARRIER RAIL SEE "END OF RAIL DETAILS"

FOR REINFORCING STEEL IN END OF BARRIER RAIL SEE "END OF RAIL DETAILS"

FOR REINFORCING STEEL IN END OF BARRIER RAIL SEE "END OF RAIL DETAILS"

FOR REINFORCING STEEL IN END OF BARRIER RAIL SEE "END OF RAIL DETAILS"



ALL BAR DIMENSIONS ARE OUT TO OUT

BILL OF MATERIAL

FOR CONCRETE BARRIER RAIL ONLY

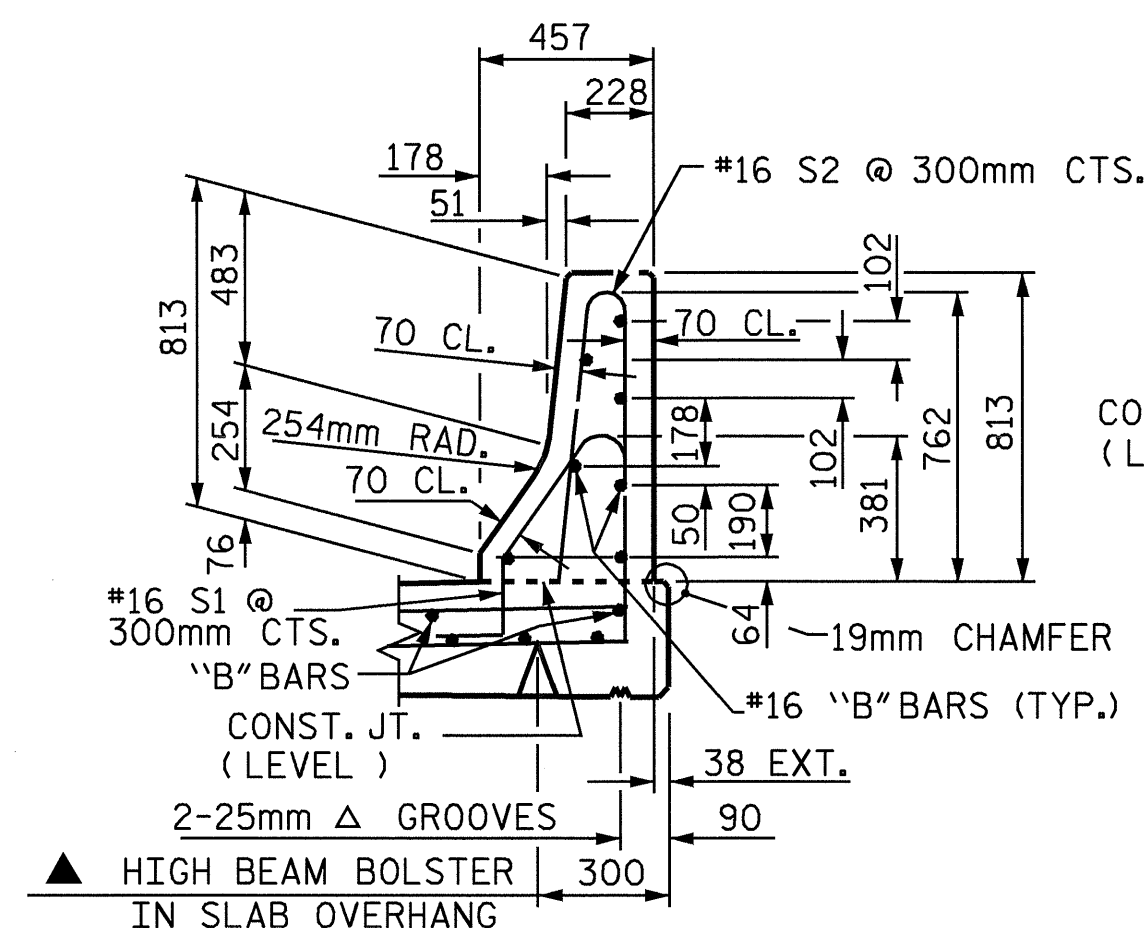
BAR	NO.	SIZE	TYPE	LENGTH	WEIGHT
*B1	28	#16	STR	4100	178
*B2	154	#16	STR	7500	1793
*B3	28	#16	STR	3220	140
*S1	632	#16	1	1380	1354
*S2	632	#16	2	1580	1550
*S3	12	#16	3	1020	19
*S4	12	#16	STR	960	18

*EPOXY COATED REINFORCING STEEL 5052 kg

CLASS AA CONCRETE 48.4 CU. METER

CONCRETE BARRIER RAIL 192.878 METERS

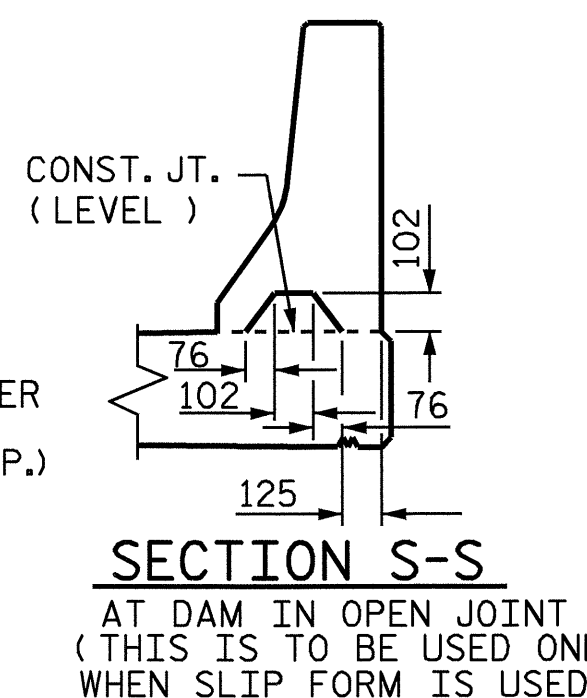
* THESE BARS ARE EPOXY COATED



SECTION THRU RAIL

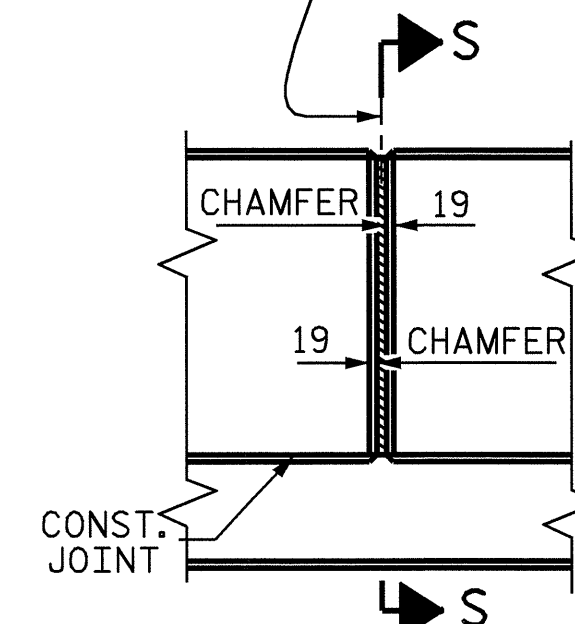
▲ SEE TYPICAL SECTION FOR HEIGHT OF THE BEAM BOLSTERS

13mm EXP. JT. MAT'L HELD IN PLACE WITH GALVANIZED NAILS. (NOTE: OMIT EXP. JT. MAT'L. WHEN SLIP FORM IS USED.)



SECTION S-S

AT DAM IN OPEN JOINT (THIS IS TO BE USED ONLY WHEN SLIP FORM IS USED)



ELEVATION AT EXPANSION JOINTS BARRIER RAIL DETAILS



PROJECT NO. R-2911A
 IREDELL COUNTY
 STATION: 39+62.402-L-

STATE OF NORTH CAROLINA
 DEPARTMENT OF TRANSPORTATION
 RALEIGH

STANDARD
 CONCRETE
 BARRIER RAIL
 RIGHT LANE

REVISIONS						SHEET NO.	
NO.	BY:	DATE:	NO.	BY:	DATE:	S-44	
1			3			TOTAL SHEETS 106	
2			4				

ASSEMBLED BY : L.L.MURPHY	DATE : 01-04
CHECKED BY : D.HODGE	DATE : 04-04
DRAWN BY : ARB 5/87	REV. 8/16/99 RWW/LES
CHECKED BY : SJD 9/87	REV. 10/17/00 RWW/LES
	REV. 5/7/03 RWW/JTE