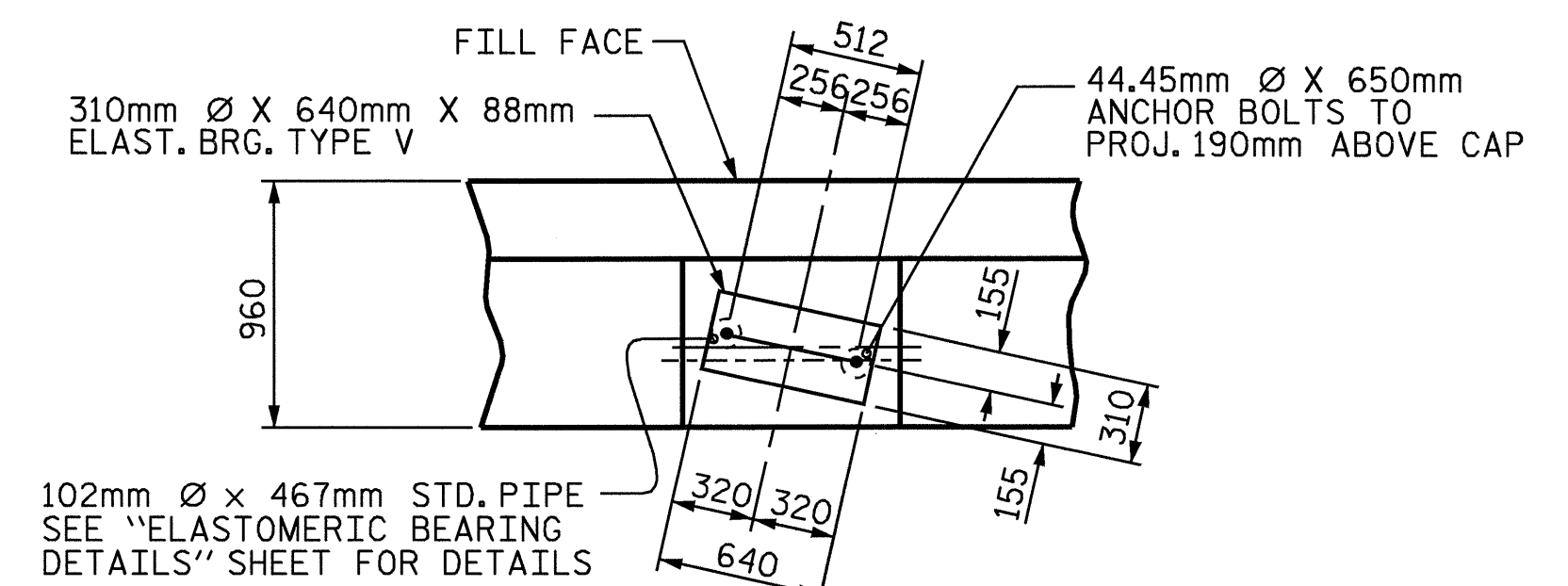


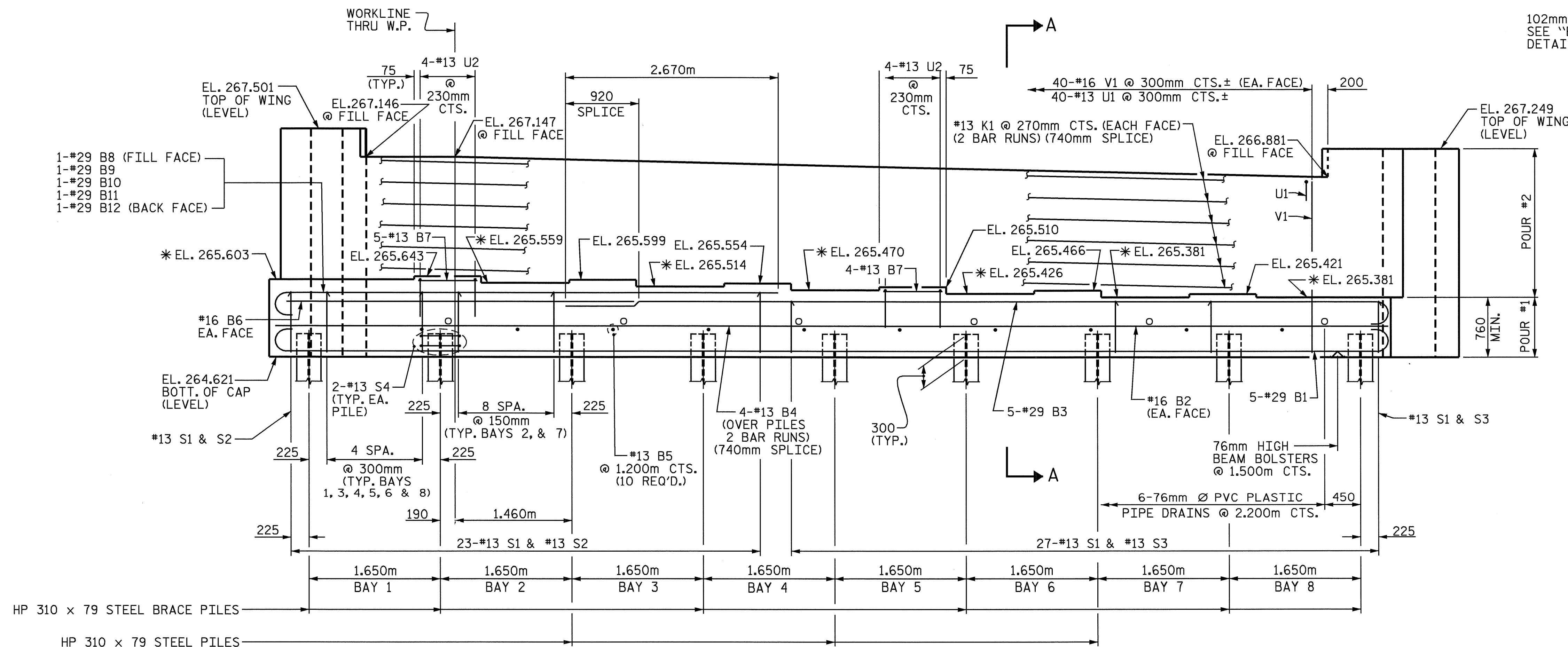
PLAN

NOTES:

- STIRRUPS IN CAP MAY BE SHIFTED AS NECESSARY TO CLEAR ANCHOR BOLTS.
- FOR EPOXY PROTECTIVE COATING, SEE SPECIAL PROVISIONS.
- PIPE DRAINS MAY BE SHIFTED SLIGHTLY AS NECESSARY TO CLEAR REINFORCING STEEL AND ANCHOR BOLTS.
- FOR PIPE DRAIN DETAILS, SEE SHEET 3 OF 3.
- FOR PILE SPLICE DETAILS, SEE SHEET 3 OF 3.
- BACKWALL SHALL BE PLACED BEFORE APPLYING THE EPOXY PROTECTIVE COATING.
- THE TOP SURFACE AREAS OF THE END BENT CAPS SHALL BE CURED IN ACCORDANCE WITH THE STANDARD SPECIFICATIONS EXCEPT THE MEMBRANE CURING COMPOUND METHOD SHALL NOT BE USED.
- THE TOP SURFACE OF THE CAP EXCEPT THE BRIDGE SEAT BUILDUPS SHALL BE SLOPED TRANSVERSELY FROM THE FILL FACE TO THE BACK FACE AT THE RATE OF 2 %.



DETAIL A  
(TYP. EA. GDR.)



ELEVATION

\*FOR LOCATION OF ELEVATION BETWEEN BRIDGE SEAT BUILDUPS, SEE SECTION A-A, SHEET 3 OF 3.

PROJECT NO. R-2911A  
 IREDELL COUNTY  
 STATION: 39+62.402 -L-  
 SHEET 1 OF 3

STATE OF NORTH CAROLINA DEPARTMENT OF TRANSPORTATION RALEIGH				SUBSTRUCTURE END BENT #2 RIGHT LANE	
REVISIONS					
NO.	BY:	DATE:	NO.	BY:	DATE:
1			3		
2			4		
SHEET NO. S-52					TOTAL SHEETS 106



DRAWN BY: QT NGUYEN DATE: 3-04  
 CHECKED BY: L.L. MURPHY DATE: 3-04

09-JUL-2004 14:25  
 W:\sddquady\2911a\FINALP~1\2911a2e.dgn  
 clewis