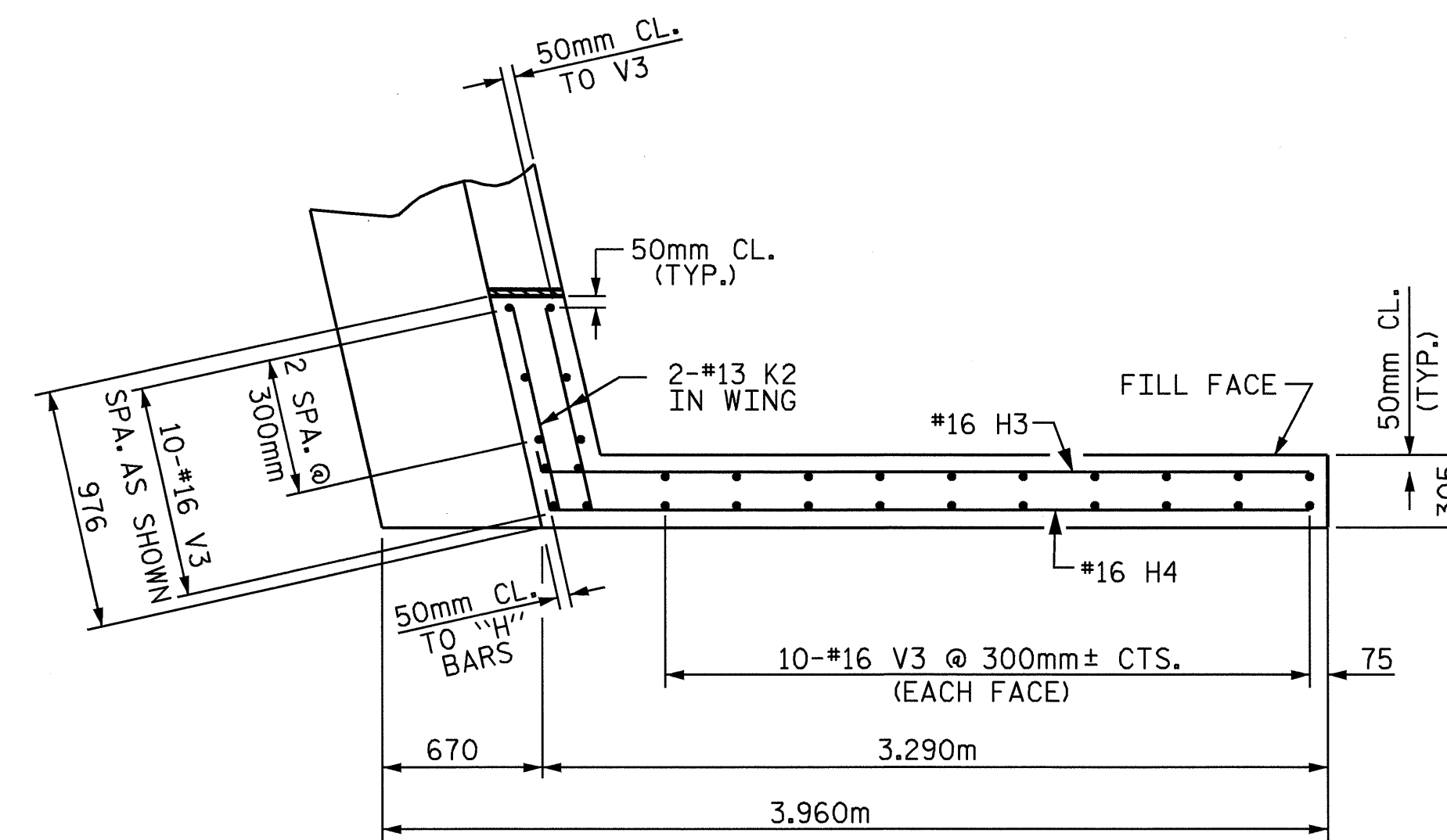
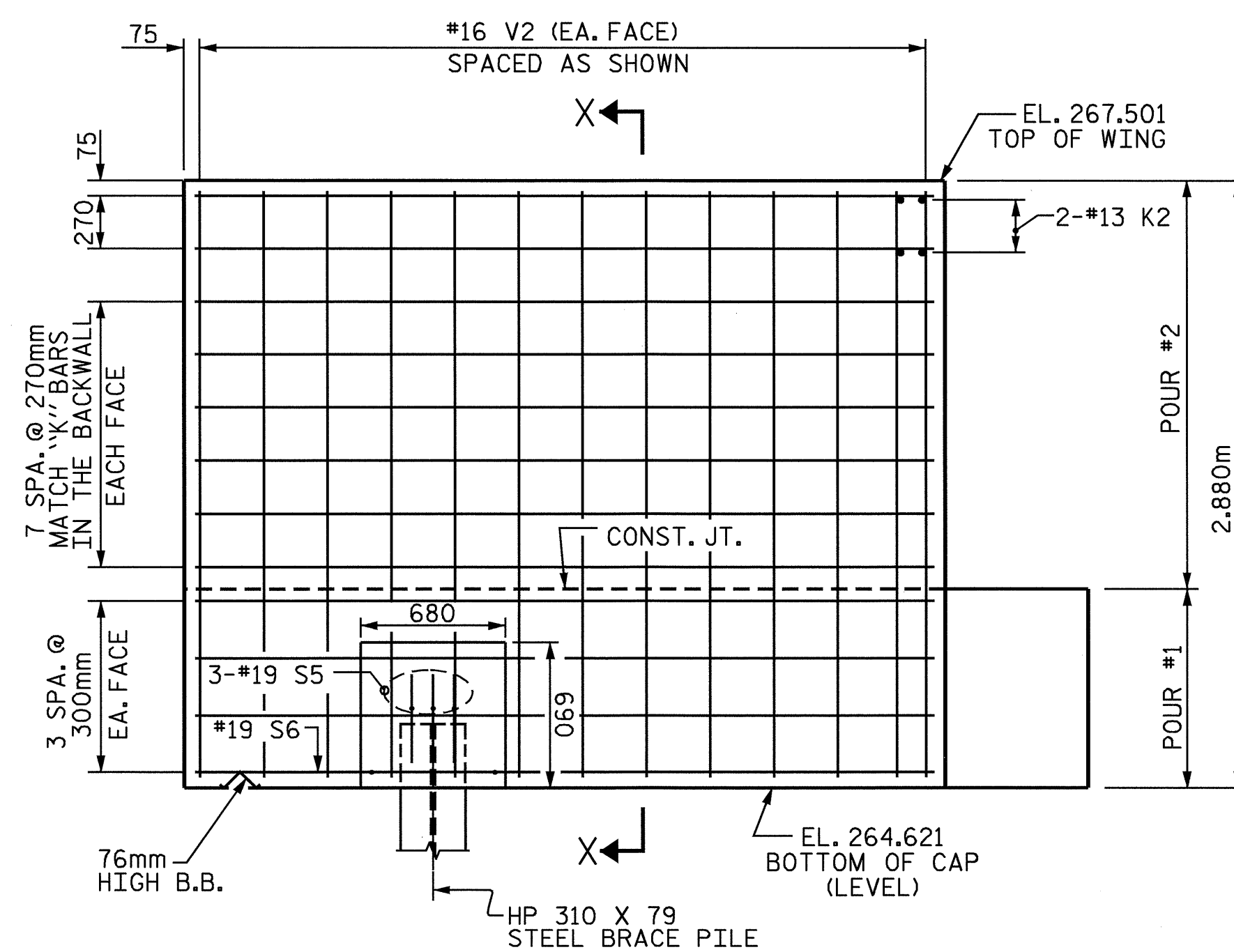


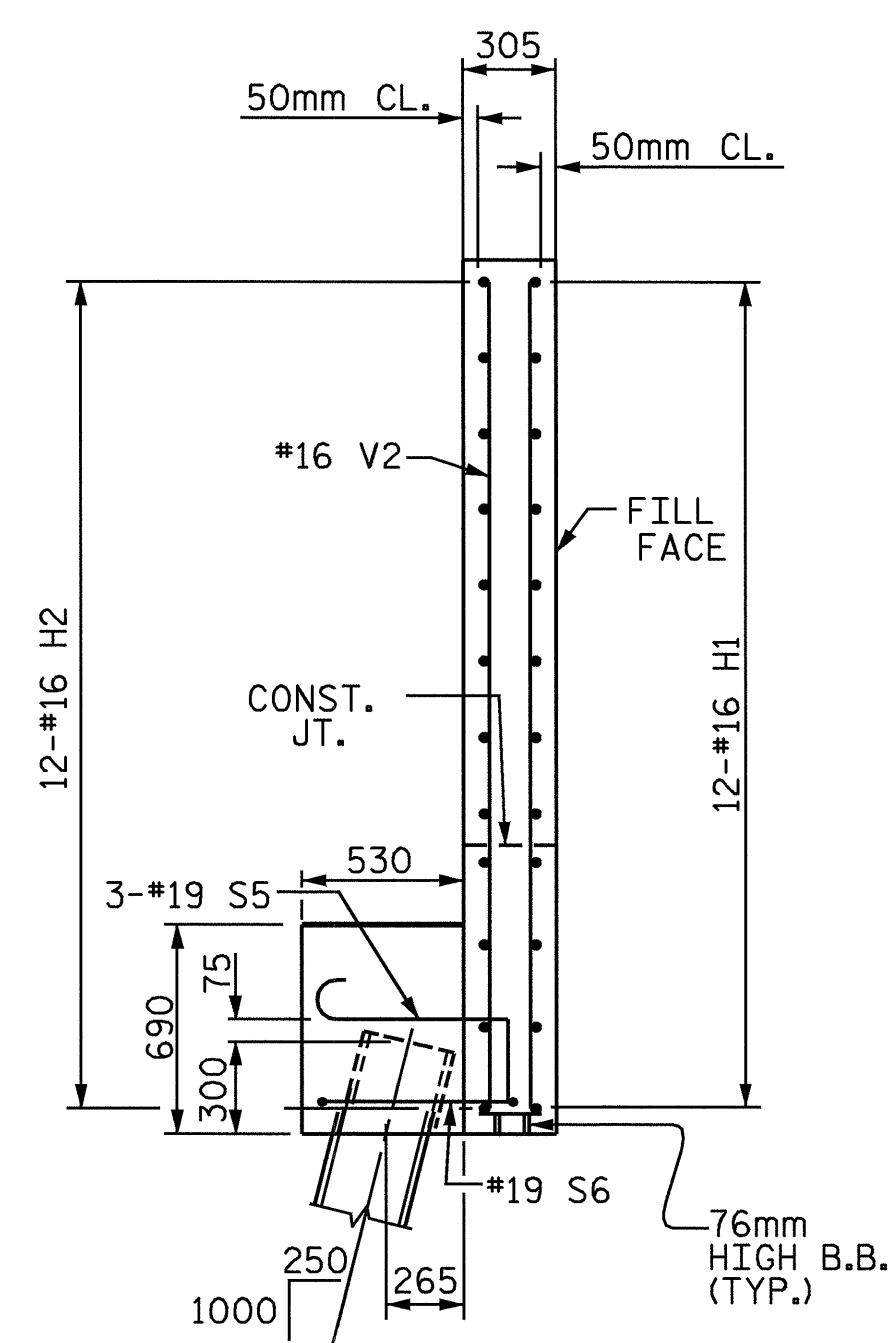
PLAN OF LEFT WING W1



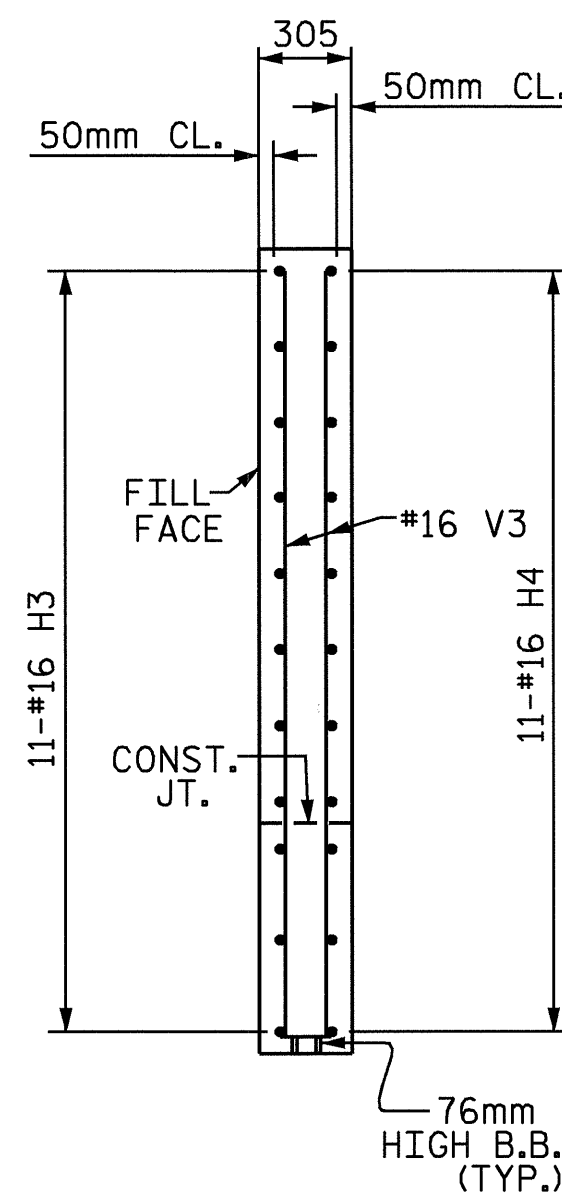
PLAN OF RIGHT WING W2



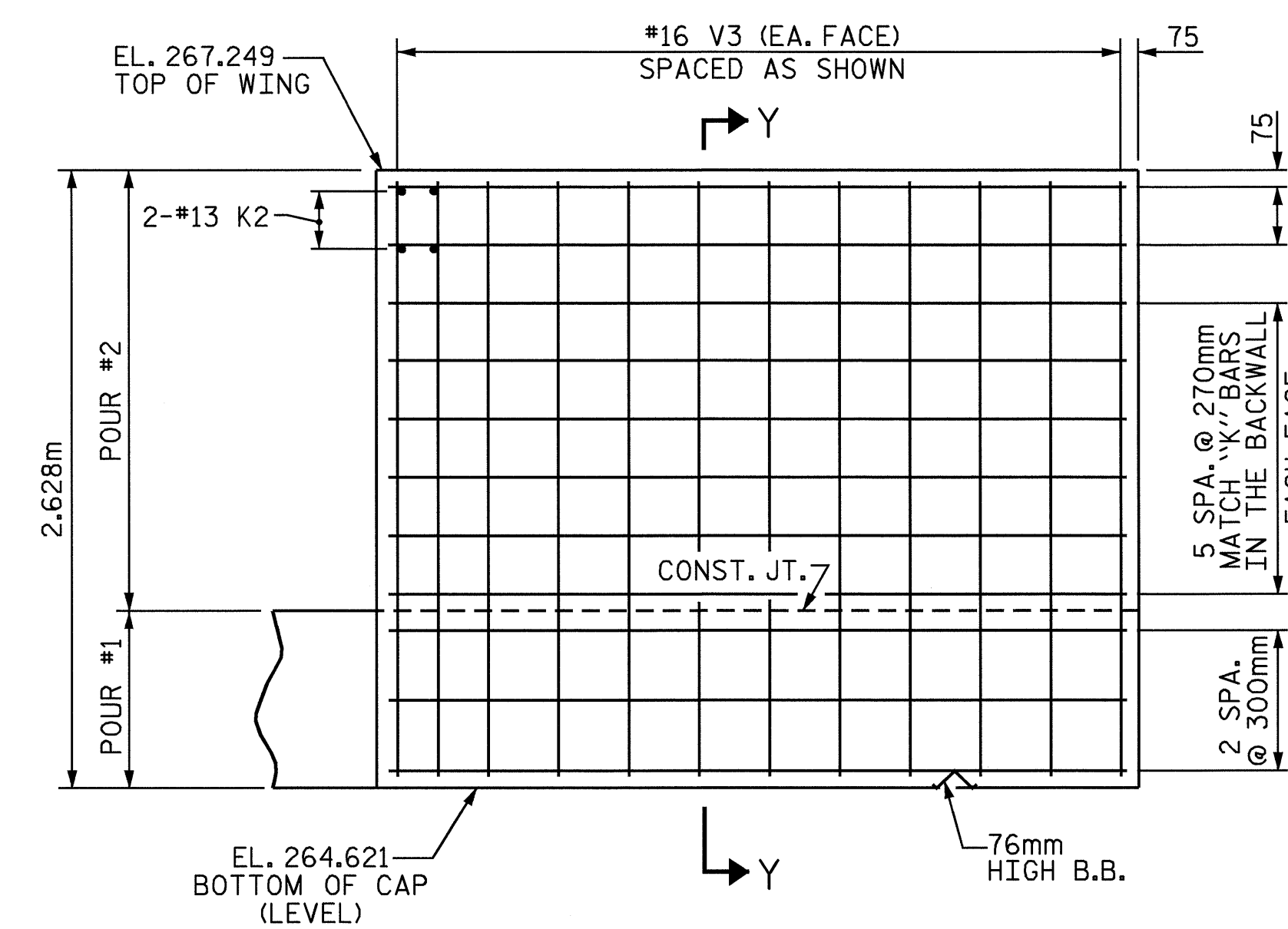
ELEVATION OF LEFT WING W1



SECTION X-X



SECTION Y-Y



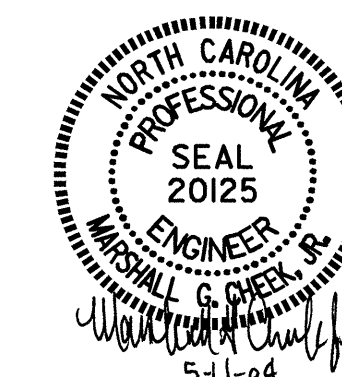
ELEVATION OF RIGHT WING W2

PROJECT NO. R-2911A
 IREDELL COUNTY
 STATION: 39+62.402 -L-

SHEET 2 OF 3

STATE OF NORTH CAROLINA
 DEPARTMENT OF TRANSPORTATION
 RALEIGH

SUBSTRUCTURE
 END BENT #2
 RIGHT LANE



DRAWN BY: QT NGUYEN DATE: 3-04
 CHECKED BY: L.L. MURPHY DATE: 3-04

07-MAY-2004 12:21
 W:\sdquady\r2911a\Final plans\r2911a2e.dgn
 clewis

REVISIONS					SHEET NO.
NO.	BY:	DATE:	NO.	BY:	DATE:
1			3		
2			4		

TOTAL SHEETS: 106

STR. #2