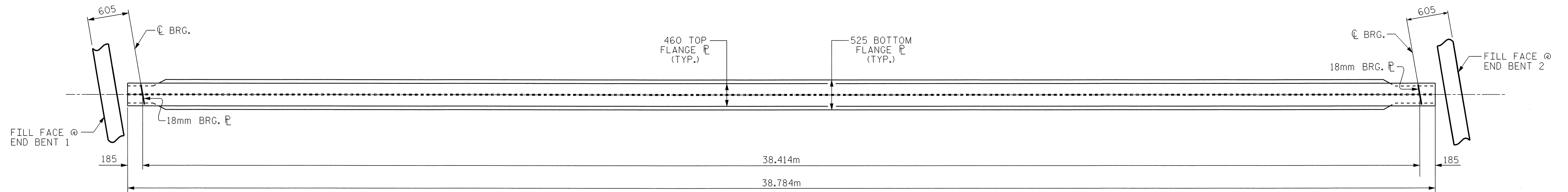
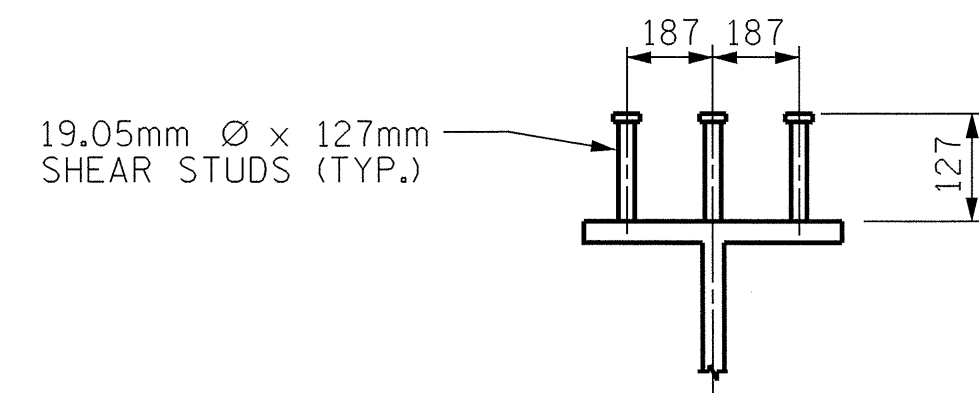


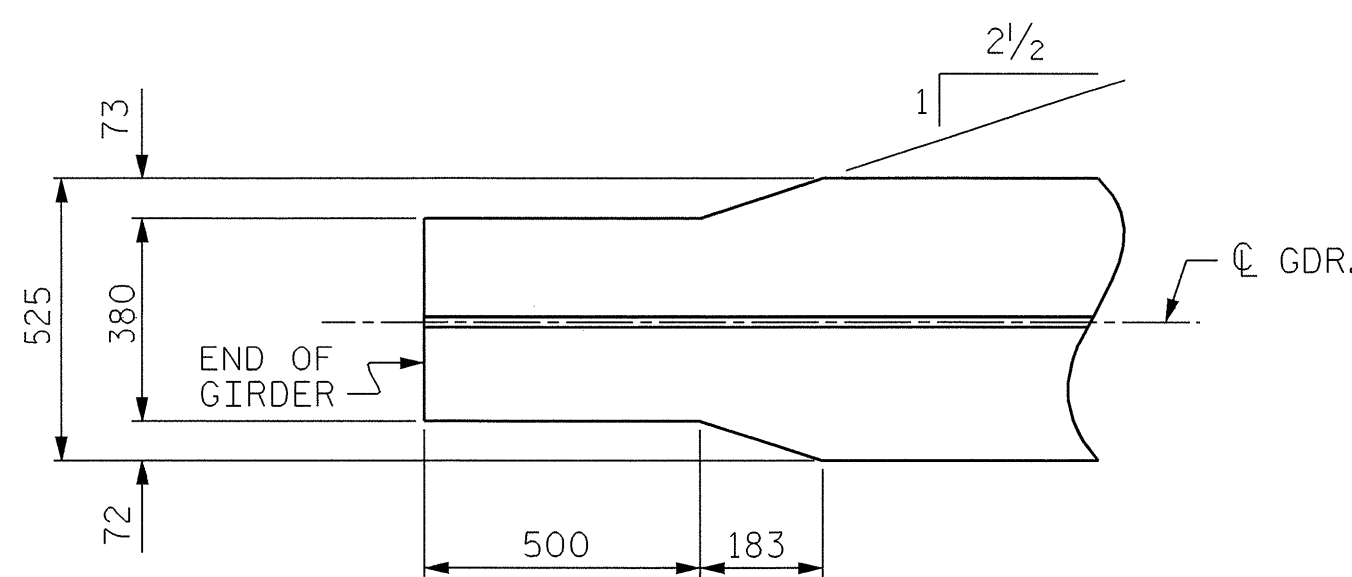
GIRDER ELEVATION



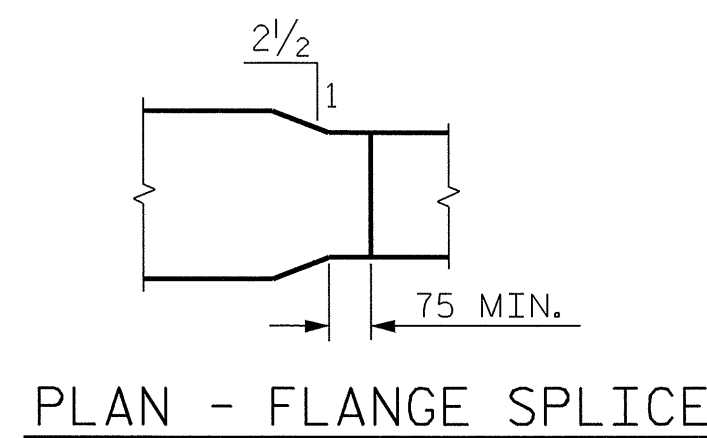
BOTTOM FLANGE DETAIL
(BOTTOM FLANGE TAPERS TO 380mm @ BEARING)



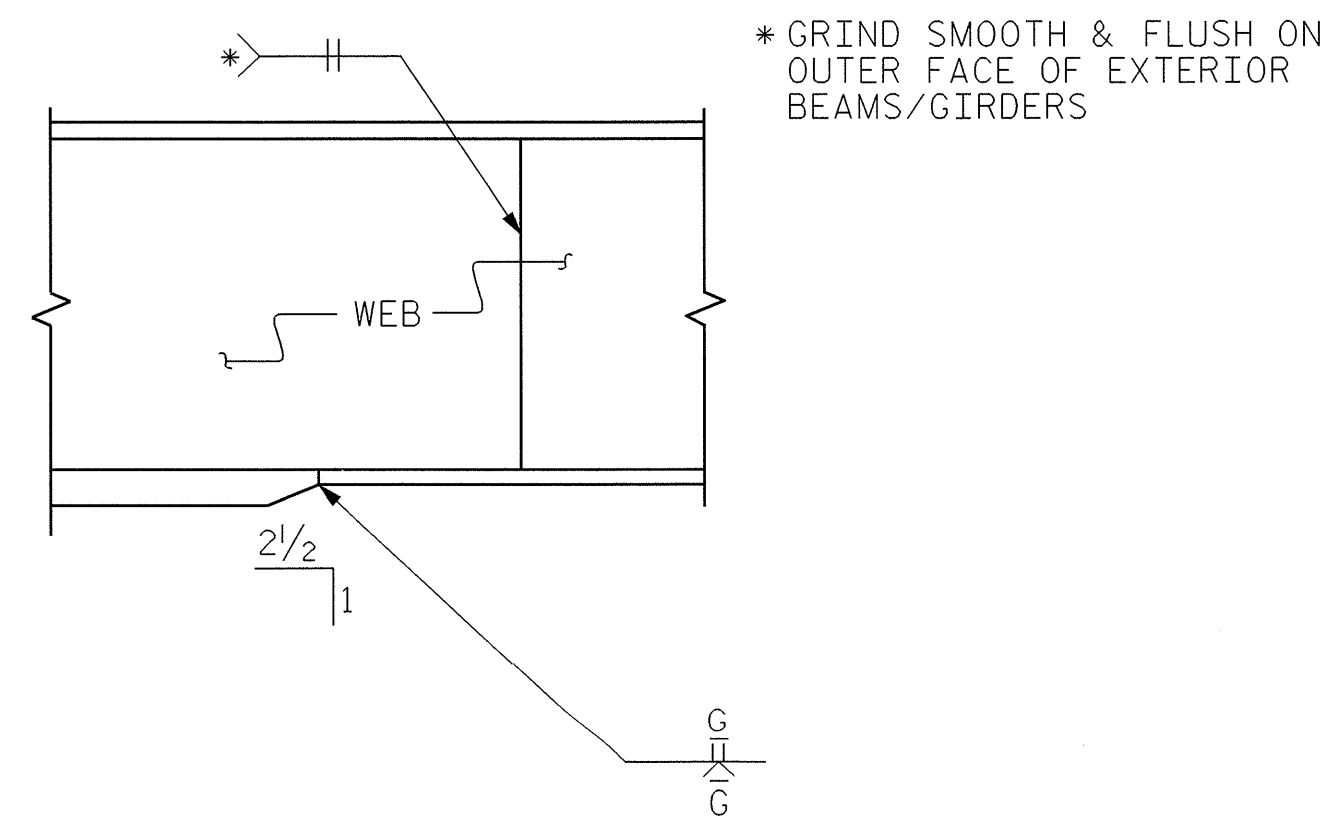
SHEAR STUD DETAILS



END OF GIRDER DETAIL
(BOTTOM FLANGE ONLY)



PLAN - FLANGE SPLICE



ELEVATION

TYPICAL FLANGE AND WEB BUTT JOINT

PROJECT NO. R-2911A
IREDELL COUNTY
 STATION: 41+59.472 -L-

SHEET 1 OF 2

STATE OF NORTH CAROLINA
 DEPARTMENT OF TRANSPORTATION
 RALEIGH
 SUPERSTRUCTURE
 STRUCTURAL STEEL
 DETAILS
 (LEFT LANE)

REVISIONS						SHEET NO.	
NO.	BY:	DATE:	NO.	BY:	DATE:	TOTAL SHEETS	
1			3			67	106
2			4				



Steven Douglas Ruckley
 3/9/04

DRAWN BY: M.K. BEARD DATE: 01/14/04
 CHECKED BY: K.D. LAYNE DATE: 02/05/04

09-MAR-2004 13:33
 W:\squads\R2911a\Final Plans\Str\3\R-2911A.sd..SS..03.dgn
 Klayne