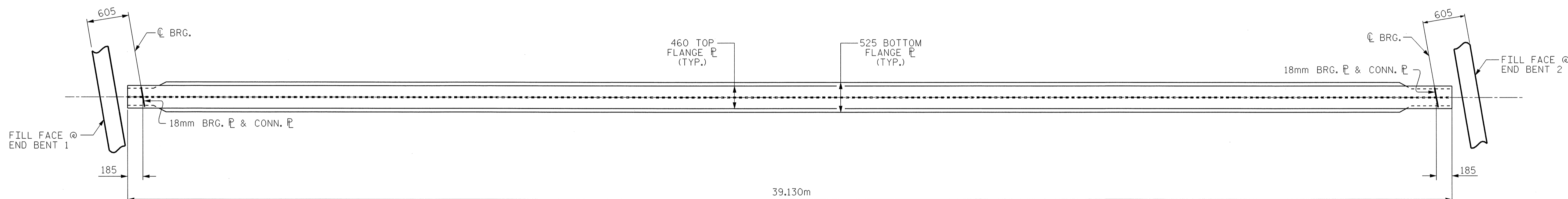
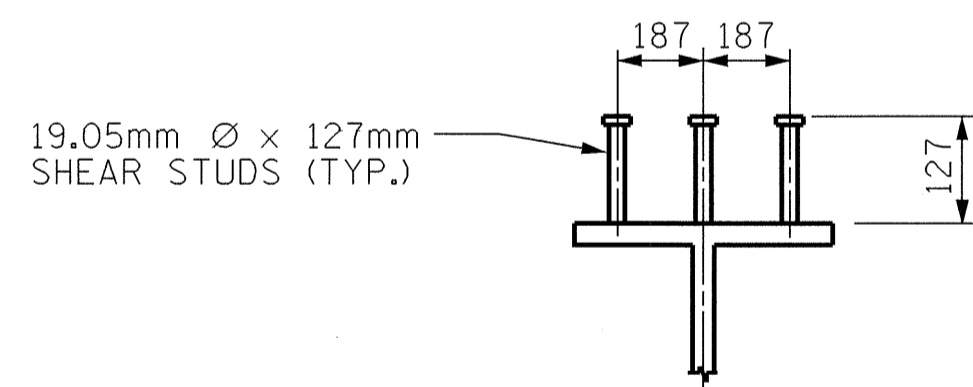


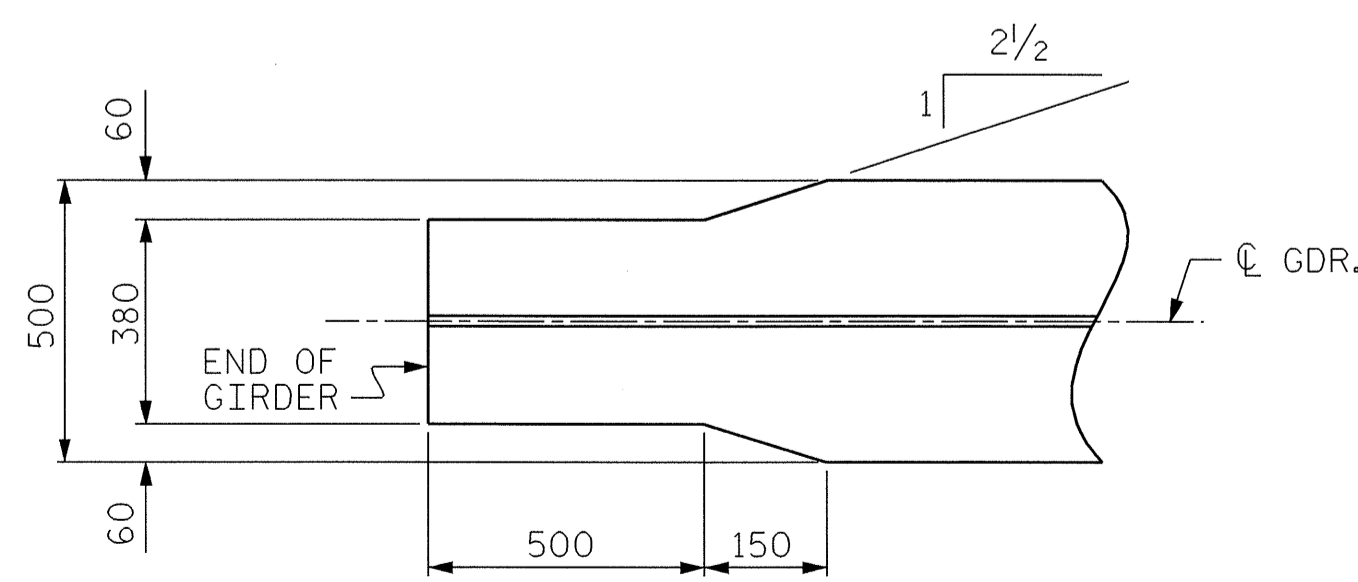
GIRDER ELEVATION



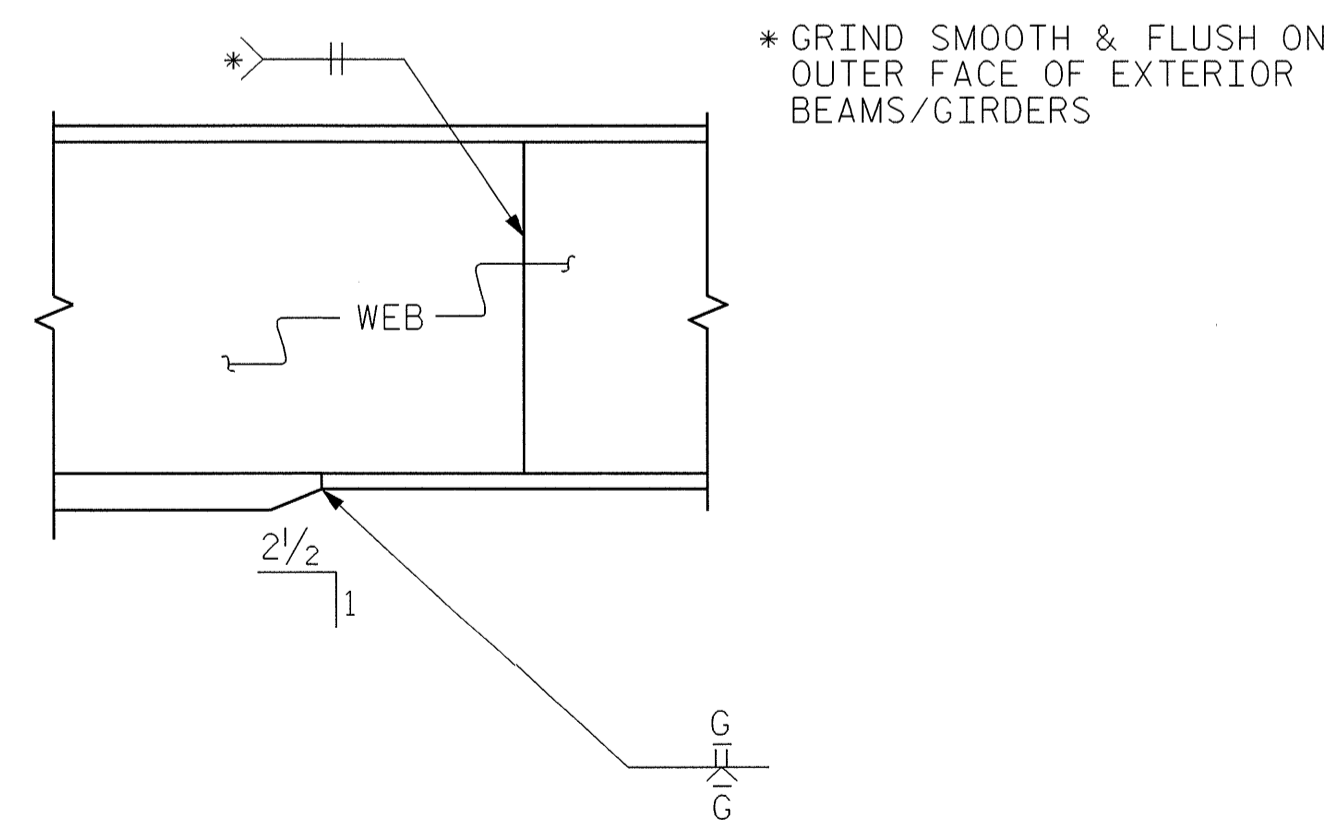
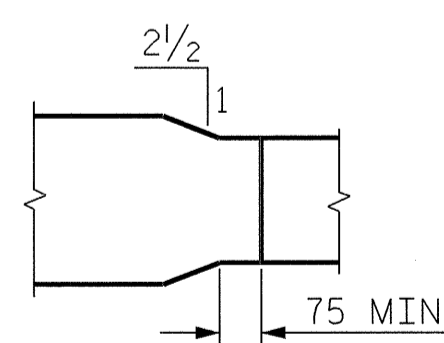
BOTTOM FLANGE DETAIL
(BOTTOM FLANGE PLATE TAPERS TO 380mm @ BEARING)



SHEAR STUD DETAILS



END OF GIRDER DETAIL
(BOTTOM FLANGE ONLY)



ELEVATION

TYPICAL FLANGE AND WEB BUTT JOINT

PROJECT NO. R-2911A
IREDELL COUNTY
 STATION: 41+59.472 -L-

SHEET 1 OF 2

STATE OF NORTH CAROLINA
 DEPARTMENT OF TRANSPORTATION
 RALEIGH
 SUPERSTRUCTURE
 STRUCTURAL STEEL
 DETAILS

(RIGHT LANE)

NO.		BY:		DATE:		NO.		BY:		DATE:		SHEET NO.	
1						3						S-91	TOTAL SHEETS
2						4						106	

Steven Douglas Rickley
 3/9/04

DRAWN BY : M.K. BEARD DATE : 01/21/04
 CHECKED BY : K.D. LAYNE DATE : 02/05/04

09-MAR-2004 13:42
 W:\squads\R2911a\Final Plans\Str 4\R-2911A_sd_SS_04.dgn
 Klayne