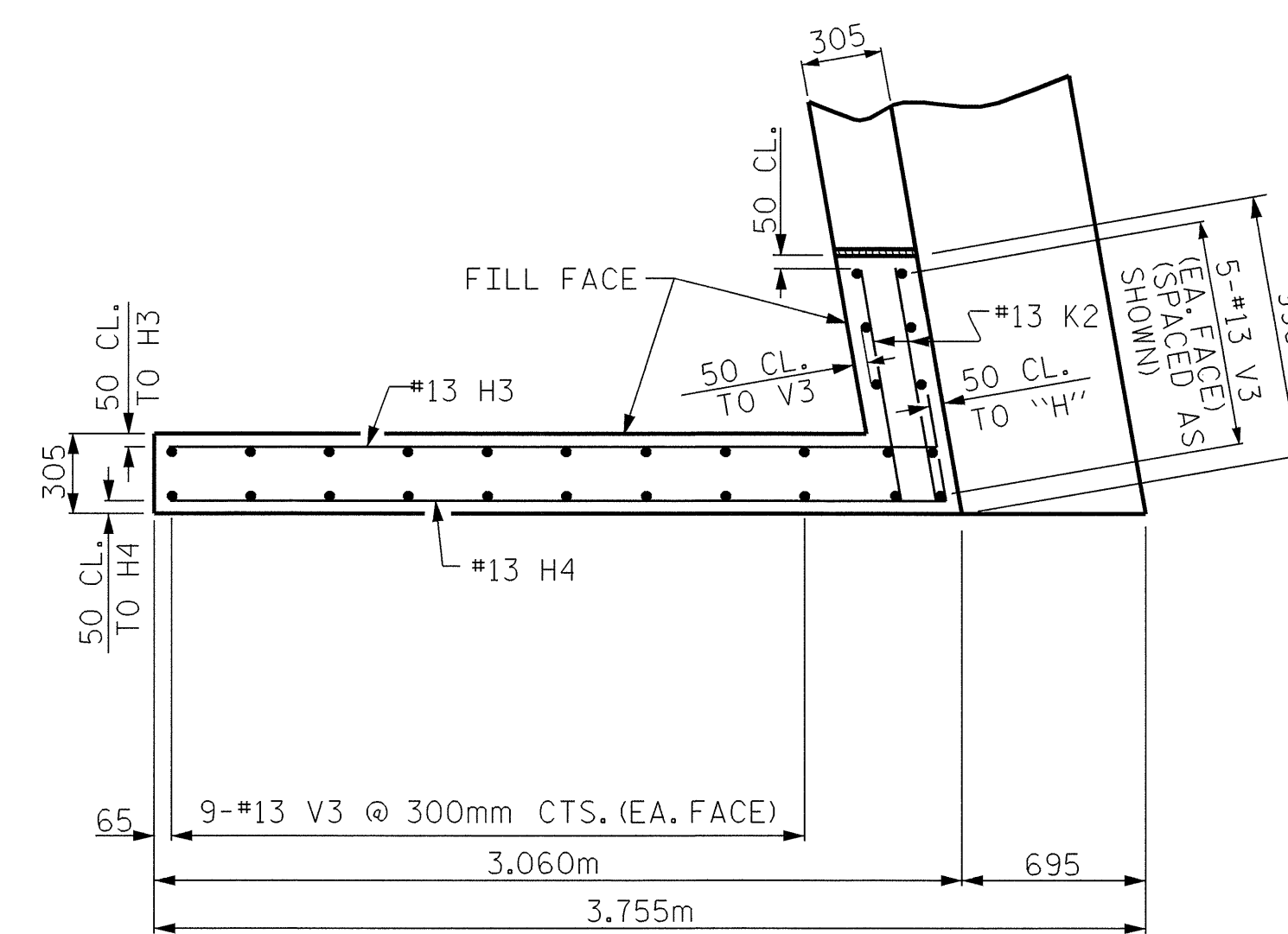
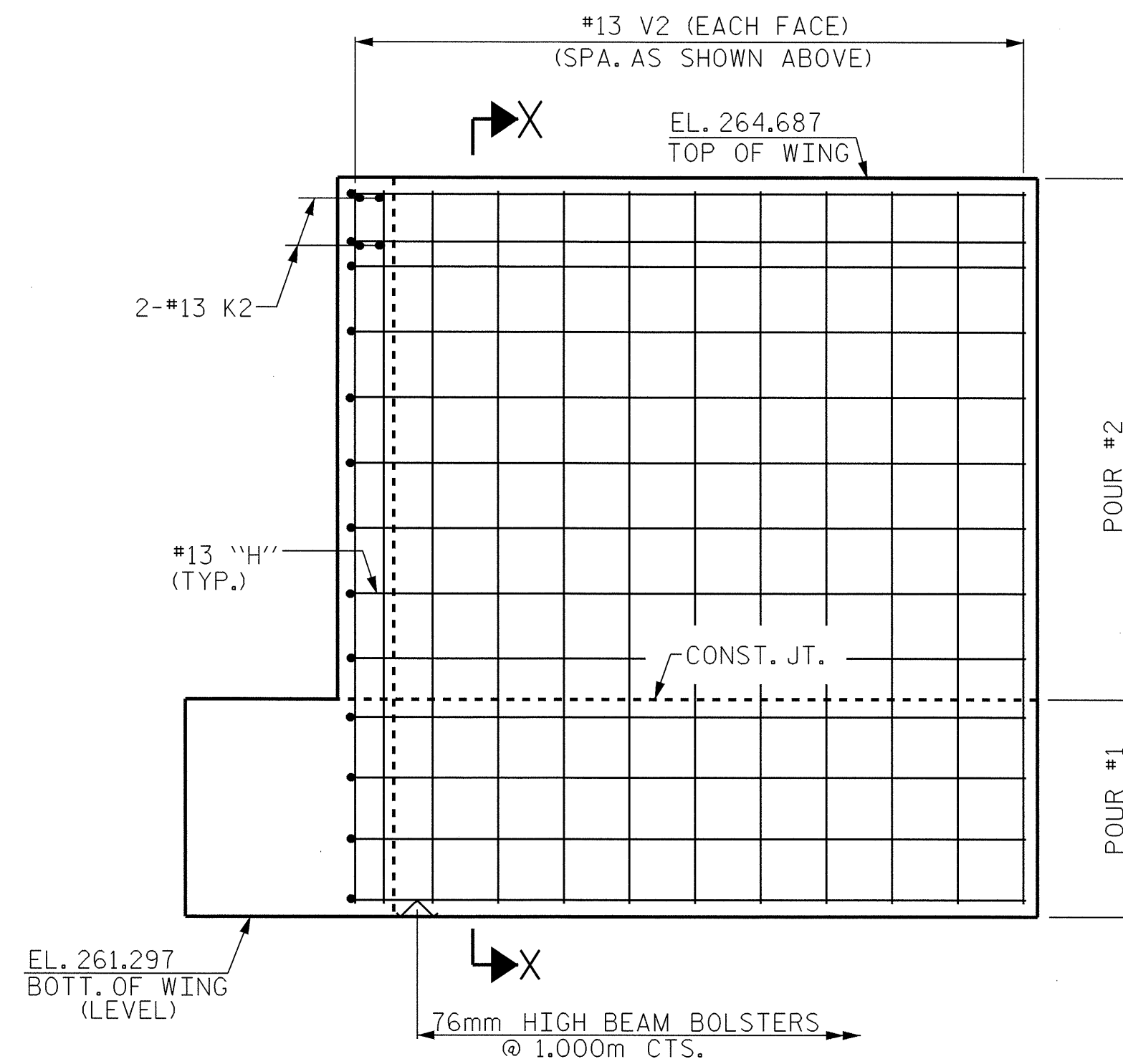


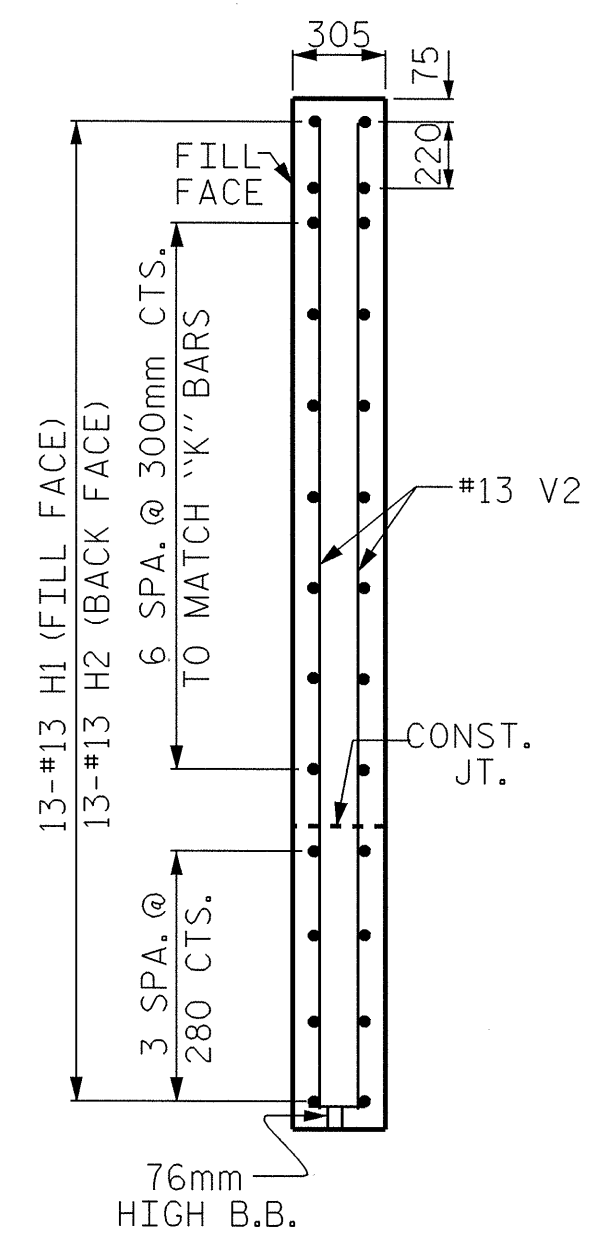
PLAN LEFT WING - W1



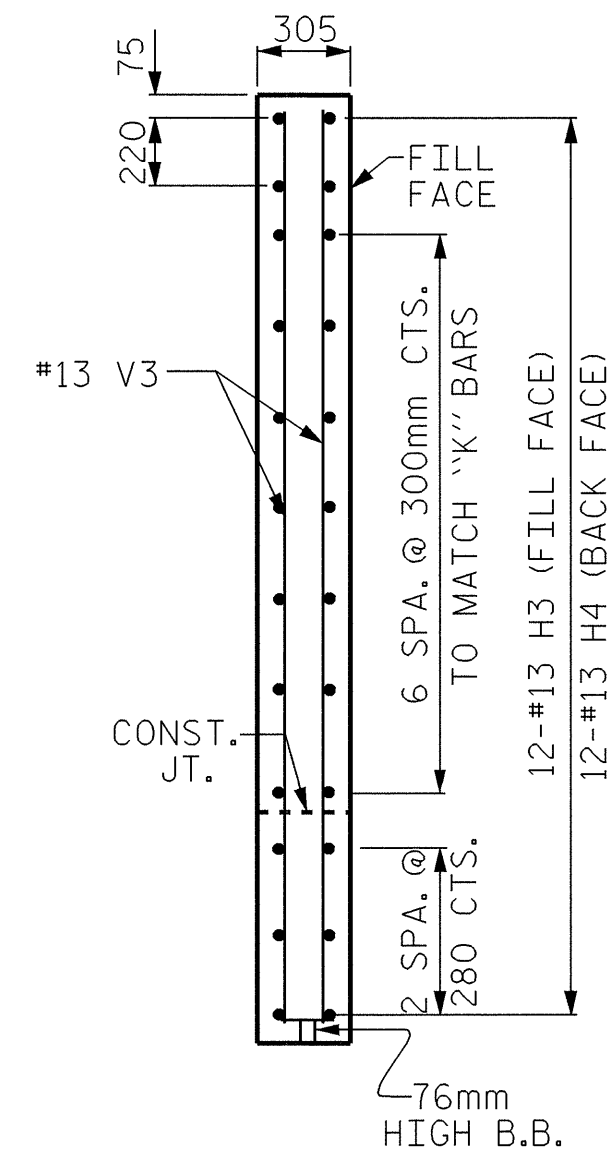
PLAN RIGHT WING - W2



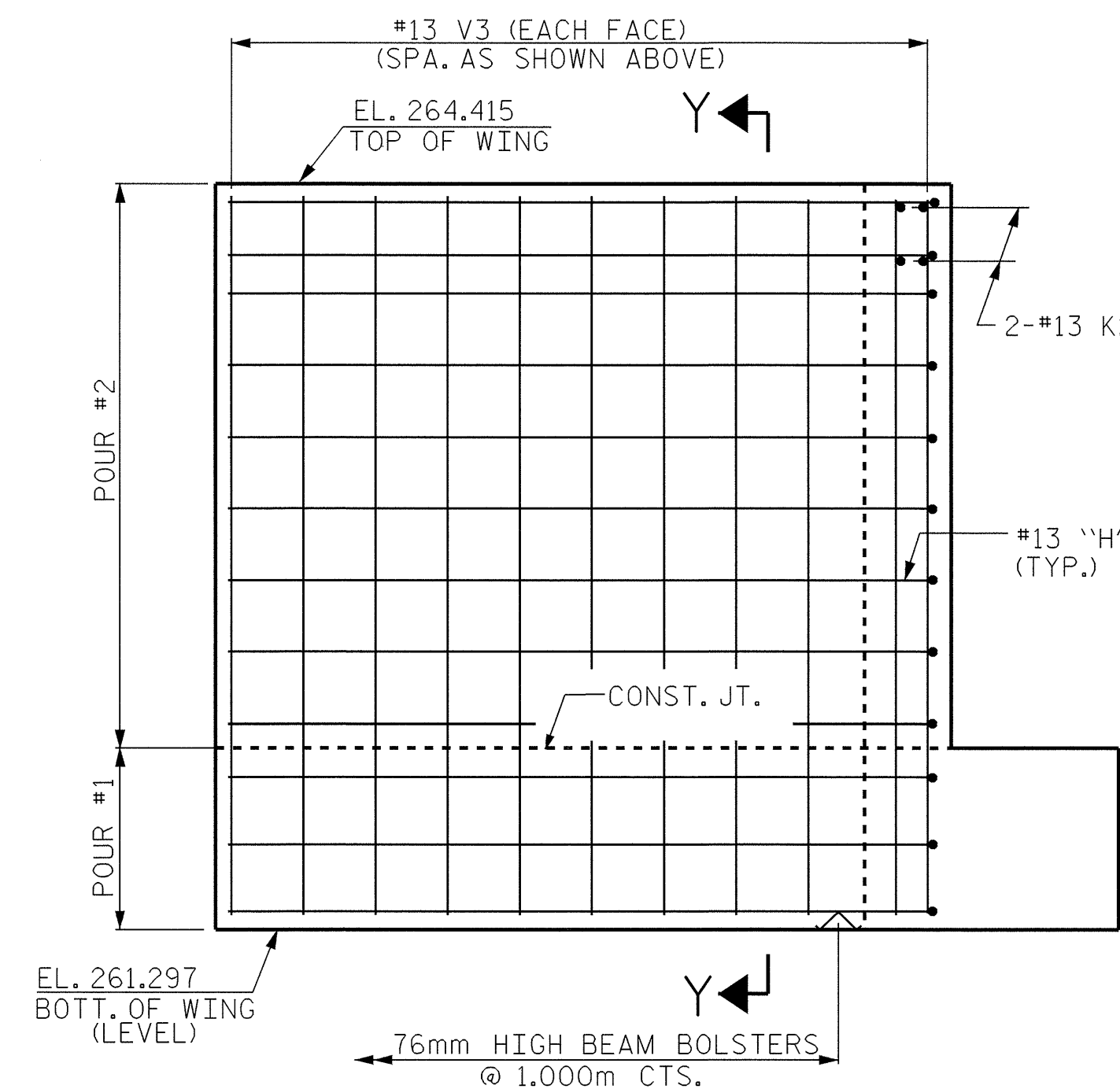
ELEVATION LEFT WING - W1



SECTION X-X



SECTION Y-Y



ELEVATION RIGHT WING - W2

PROJECT NO. R-2911A  
 IREDELL COUNTY  
 STATION: 41+59.472 -L-

SHEET 2 OF 3

STATE OF NORTH CAROLINA  
 DEPARTMENT OF TRANSPORTATION  
 RALEIGH

SUBSTRUCTURE  
 END BENT #1



*Steven Douglas Rickley*  
 3/9/04

DRAWN BY: DAN PLATICA DATE: 01/21/04  
 CHECKED BY: M. K. BEARD DATE: 02/06/04

09-MAR-2004 13:37  
 W:\squads\R2911a\Final Plans\Str4\R-2911A\_sd\_EBI\_04.dgn  
 Klayne

REVISIONS					SHEET NO.
NO.	BY:	DATE:	NO.	BY:	DATE:
1			3		
2			4		

S-98  
 TOTAL SHEETS  
 106

STR. #4