
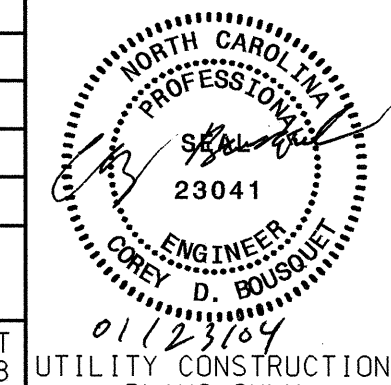


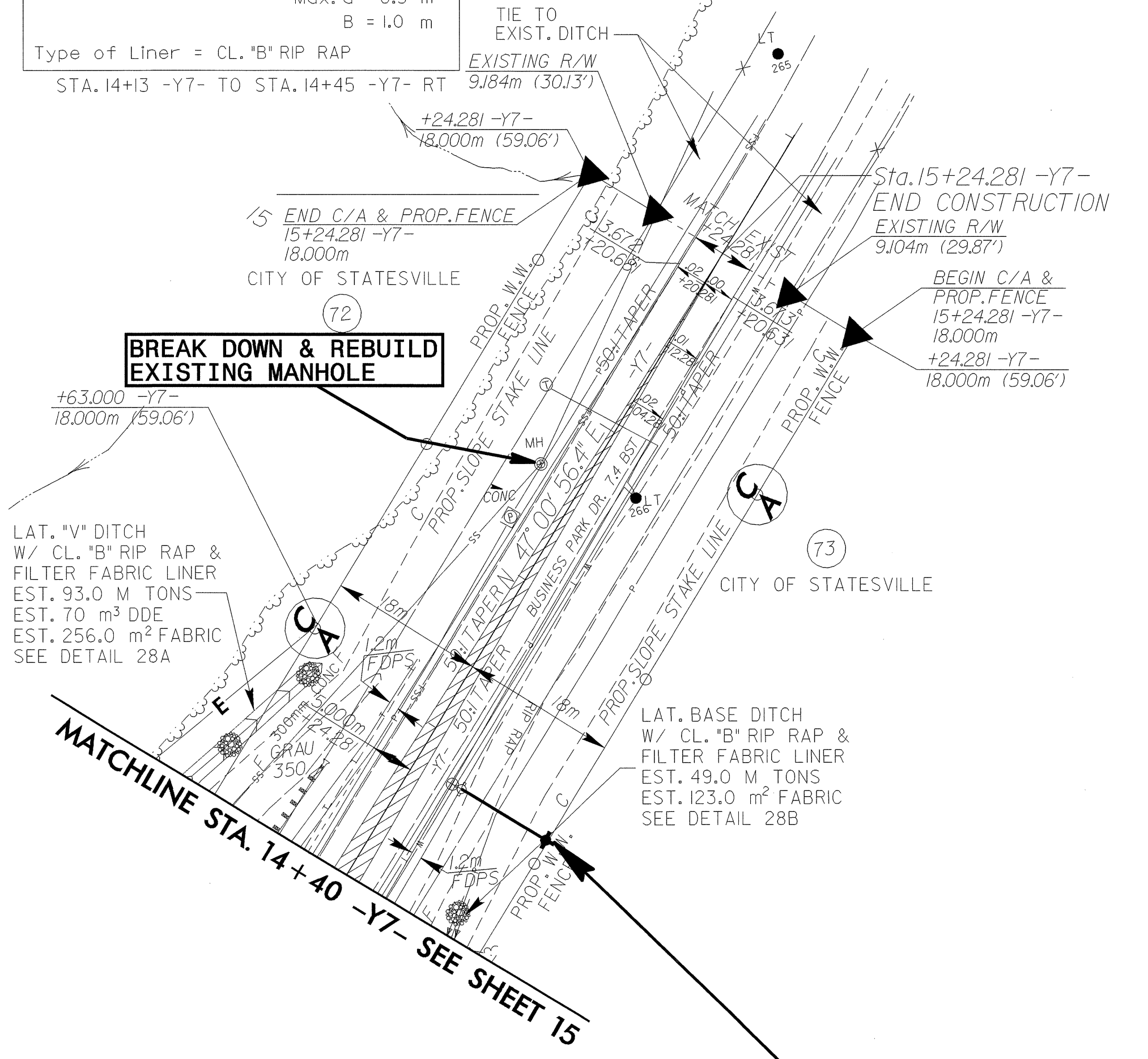
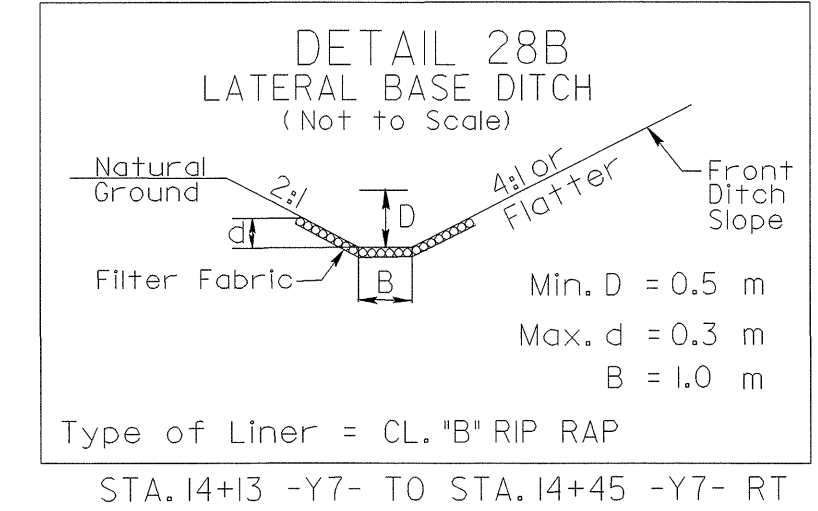
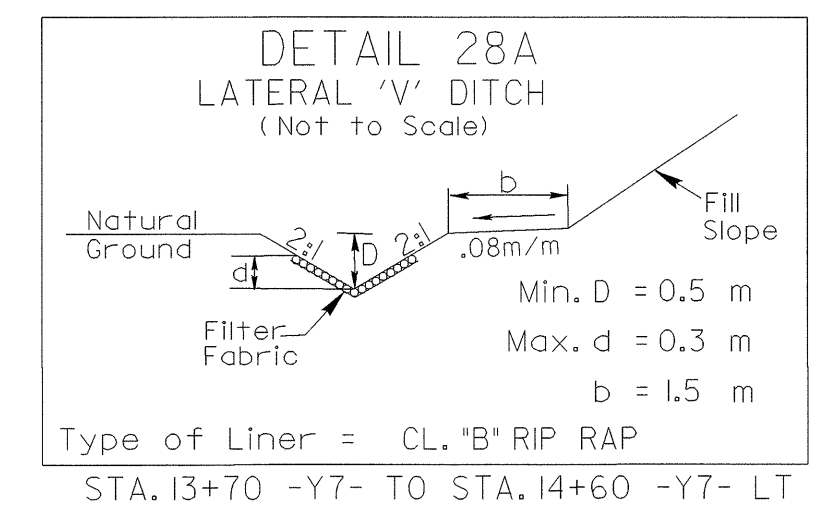
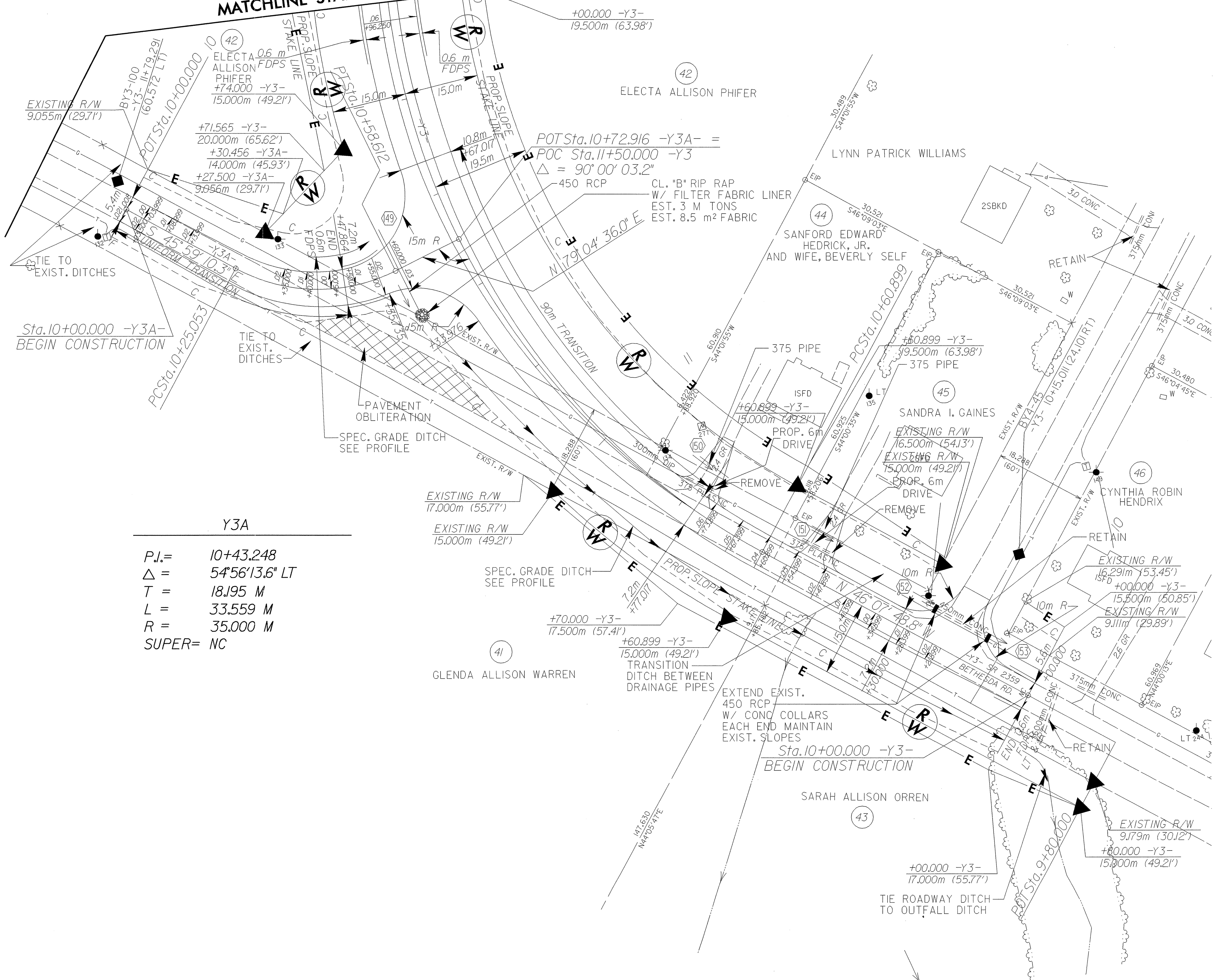
042587
 PLAN 20-JAN-2004 11:31
 Job File Name: C:\Projects\110228\110228.dwg
 User: JH
 Plot File Name: C:\Projects\110228\110228.dwg

 5 0 10 SCALE	PROJECT REFERENCE NO. R-2911A	SHEET NO. UC-8
	DESIGNED BY: JH	
	DRAWN BY: JH	
	CHECKED BY: CDB	
	APPROVED BY: CDB	
	REVISED:	
	NORTH CAROLINA DEPARTMENT OF TRANSPORTATION DESIGN SERVICES UNIT PHONE: (919) 250-4128 FAX: (919) 250-4119	
	UTILITY CONSTRUCTION PLANS ONLY	

Y3
 P.I. = 11+47.669
 Δ = 61°47'37.2" RT
 T = 86.770 M
 L = 156.383 M
 R = 145.000 M
 SUPER = 0.06

MATCHLINE STA. 12+00 -Y3- SEE SHEET 09
 POT Sta. 10+72.916 -Y3A- =
 POC Sta. 11+50.000 -Y3
 Δ = 90° 00' 03.2"

Y3A
 P.I. = 10+43.248
 Δ = 54°56'13.6" LT
 T = 18.195 M
 L = 33.559 M
 R = 35.000 M
 SUPER = NC



PROP. 11.5M OF 150MM DI WATER PIPE, PC 350 WP
1- RELOCATE EXISTING FIRE HYDRANT CONNECT USING NECESSARY FITTING

NOTE:
 ALL PROP. DRIVEWAY RADII
 3.0m UNLESS SHOWN OTHERWISE.

SEE SHEET 47 FOR -Y3- AND -Y3A- PROFILE

SEE SHEET 49 FOR -Y7- PROFILE