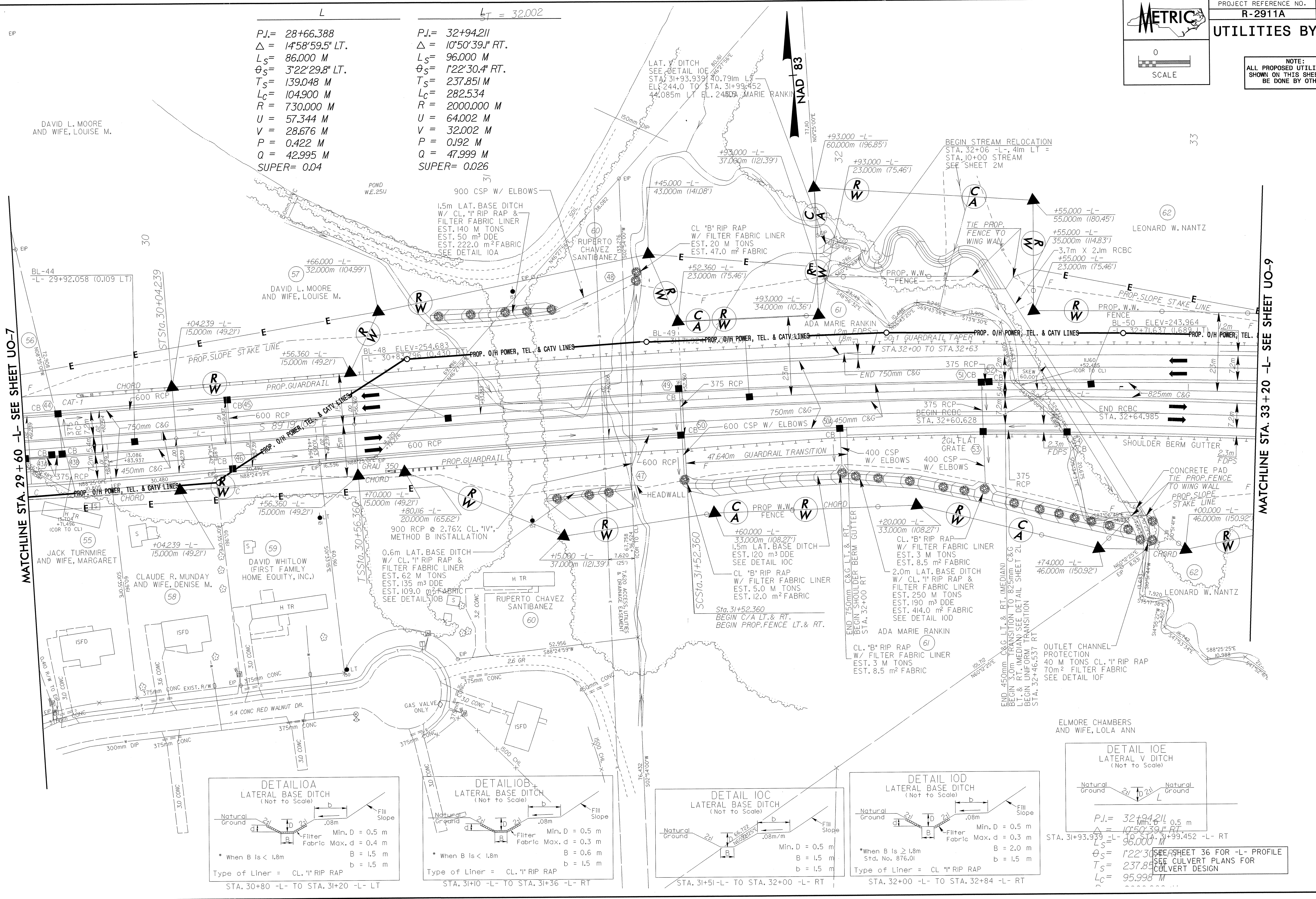


UTILITIES BY OTHERS

NOTE: ALL PROPOSED UTILITY WORK SHOWN ON THIS SHEET WILL BE DONE BY OTHERS

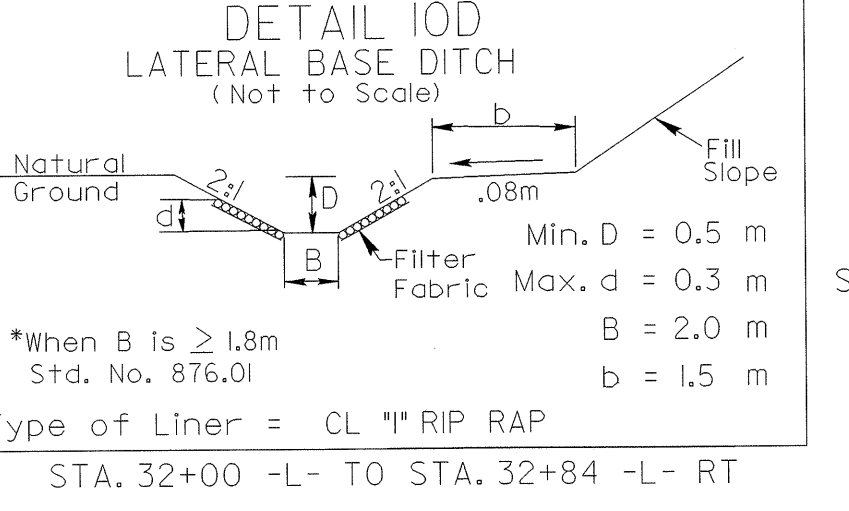
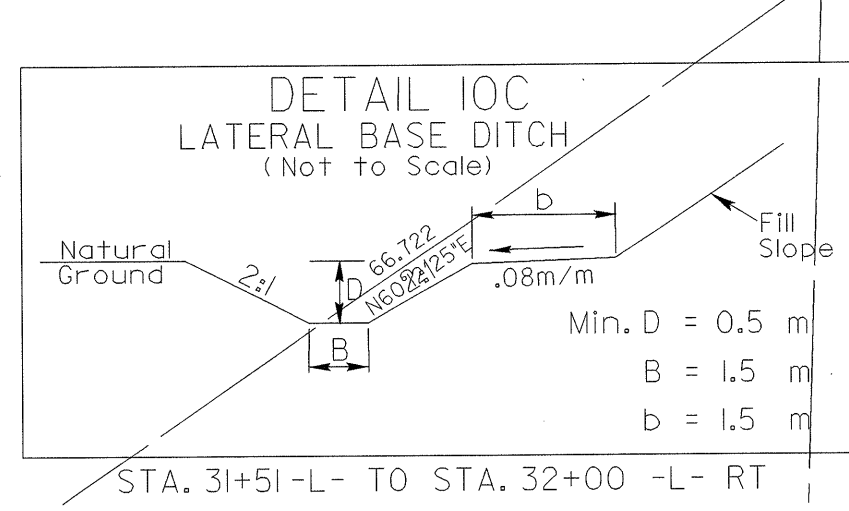
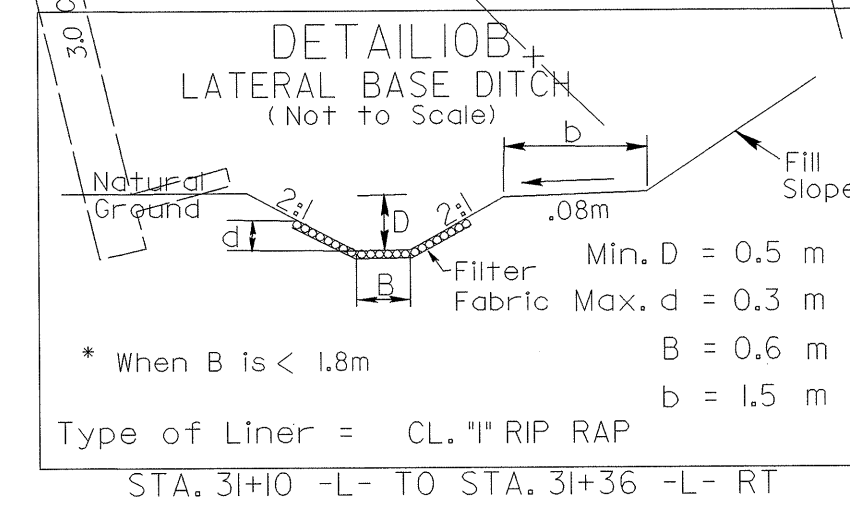
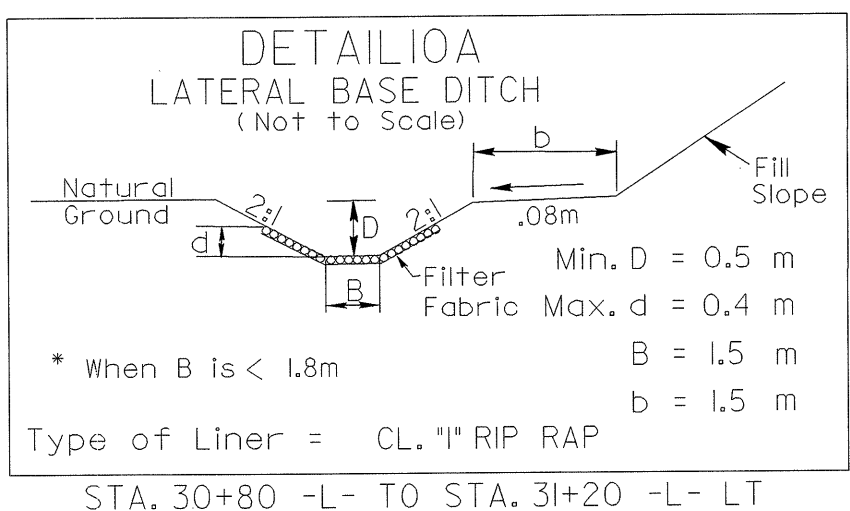
$P.I. = 28+66.388$   
 $\Delta = 14^{\circ}58'59.5" LT.$   
 $L_S = 86.000 M$   
 $\theta_S = 3^{\circ}22'29.8" LT.$   
 $T_S = 139.048 M$   
 $L_C = 104.900 M$   
 $R = 730.000 M$   
 $U = 57.344 M$   
 $V = 28.676 M$   
 $P = 0.422 M$   
 $Q = 42.995 M$   
 $SUPER = 0.04$

$P.I. = 32+94.211$   
 $\Delta = 10^{\circ}50'39.1" RT.$   
 $L_S = 96.000 M$   
 $\theta_S = 1^{\circ}22'30.4" RT.$   
 $T_S = 237.851 M$   
 $L_C = 282.534$   
 $R = 2000.000 M$   
 $U = 64.002 M$   
 $V = 32.002 M$   
 $P = 0.192 M$   
 $Q = 47.999 M$   
 $SUPER = 0.026$



MATCHLINE STA. 29+60 -L- SEE SHEET UO-7

MATCHLINE STA. 33+20 -L- SEE SHEET UO-9



$P.I. = 32+94.211$   
 $\Delta = 10^{\circ}50'39.1" RT.$   
 $L_S = 96.000 M$   
 $\theta_S = 1^{\circ}22'30.4" RT.$   
 $T_S = 237.851 M$   
 $L_C = 95.998 M$

SEE SHEET 36 FOR -L- PROFILE  
SEE CULVERT PLANS FOR CULVERT DESIGN

04252  
22-JAN-2004 14:33  
J:\P\2911A\1410\_LUG.DGN