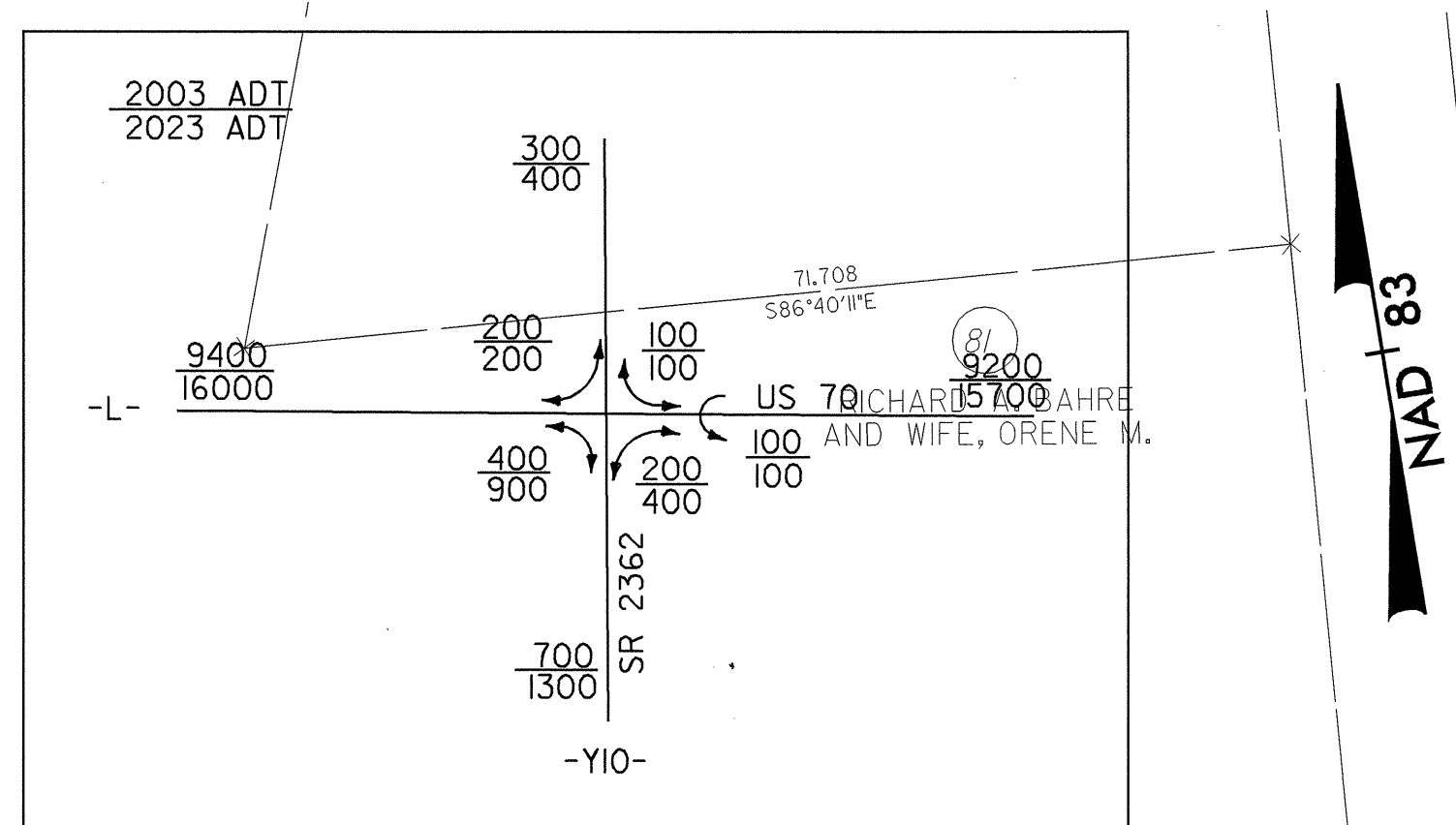
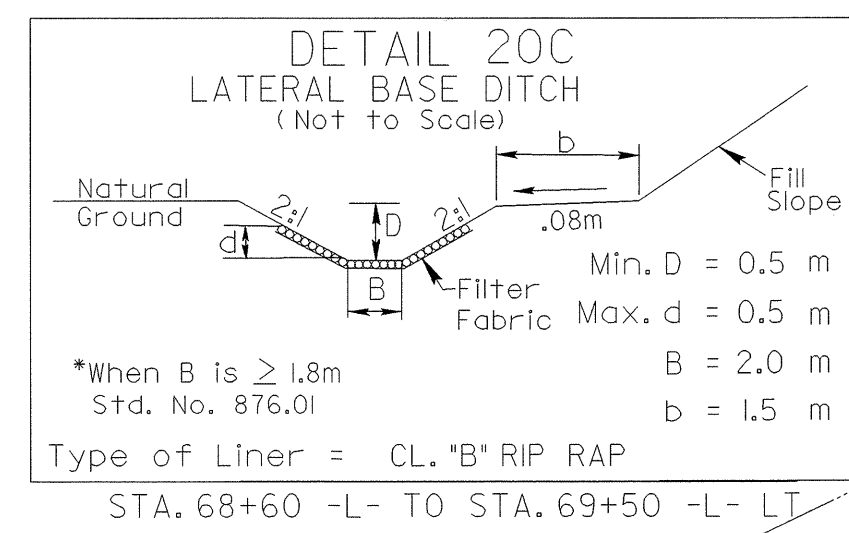
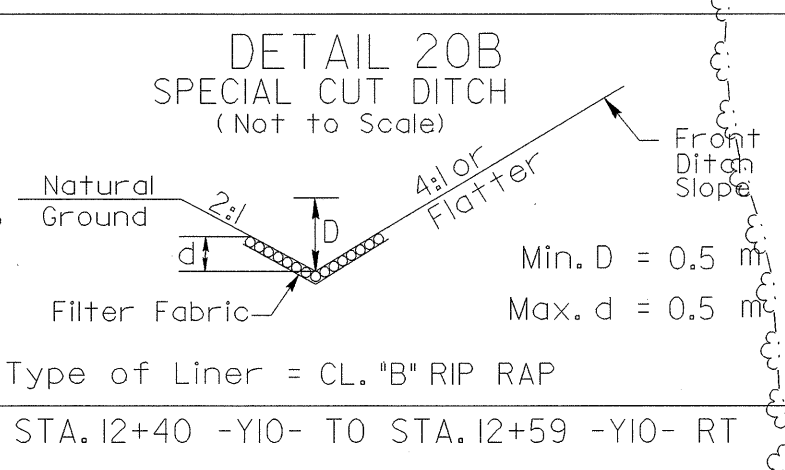
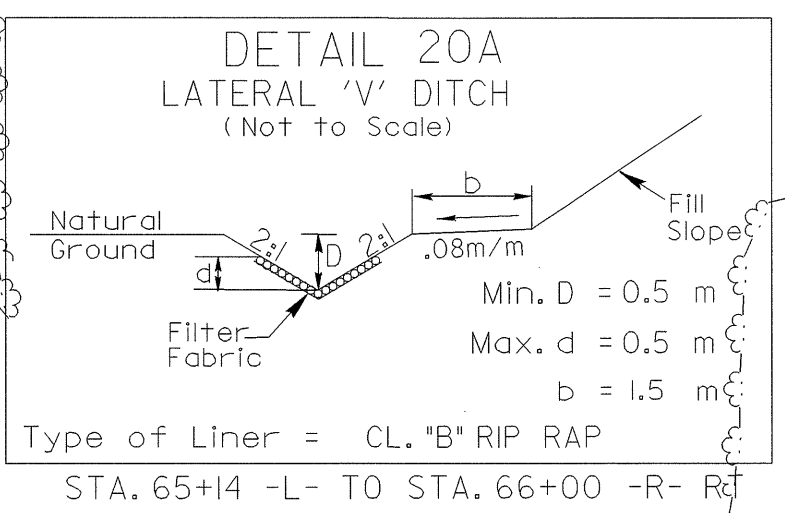
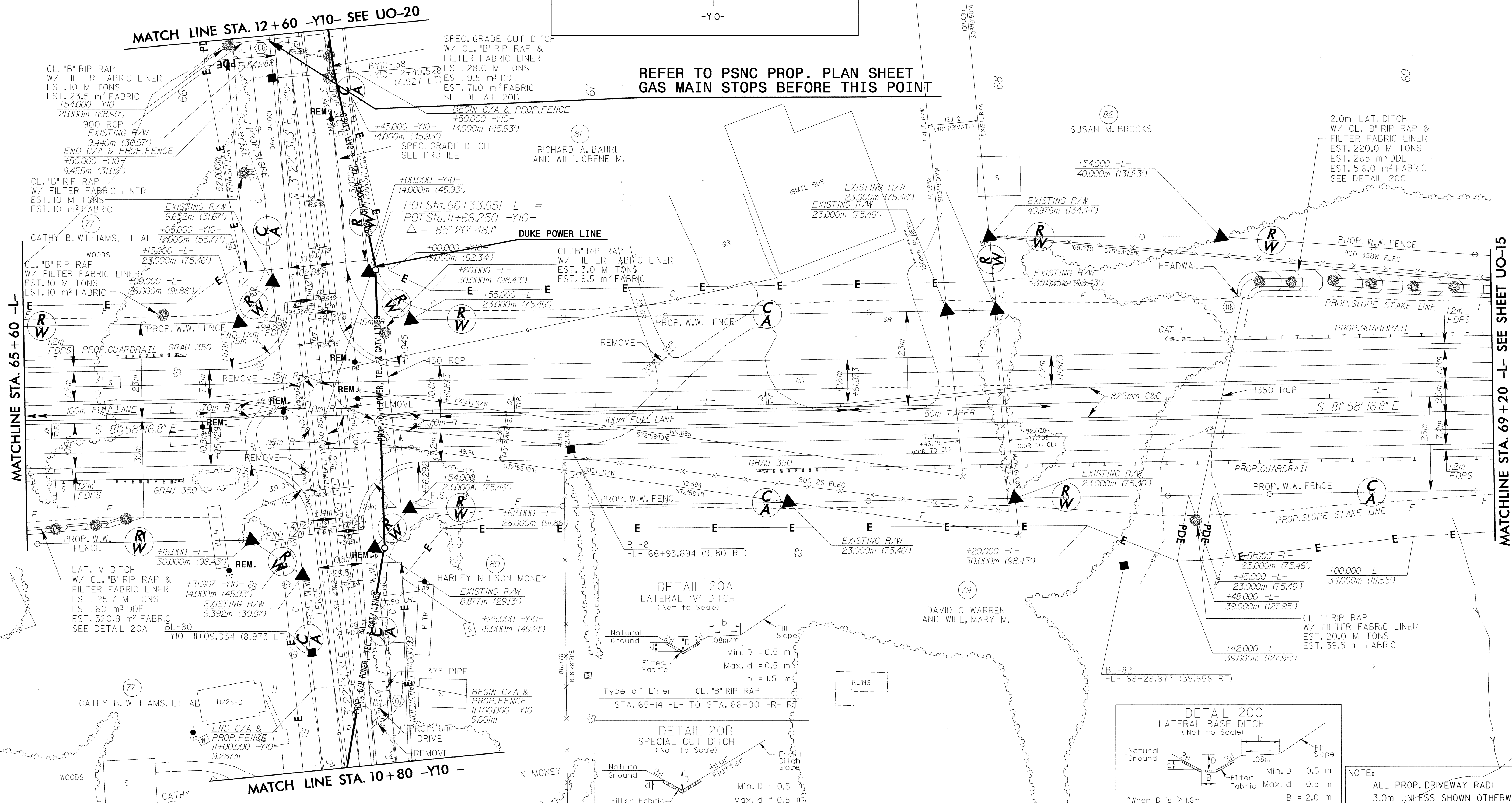


UTILITIES BY OTHERS

NOTE: ALL PROPOSED UTILITY WORK SHOWN ON THIS SHEET WILL BE DONE BY OTHERS



REFER TO PSNC PROP. PLAN SHEET GAS MAIN STOPS BEFORE THIS POINT



NOTE: ALL PROP. DRIVEWAY RADII 3.0m UNLESS SHOWN OTHERWISE. SEE SHEET 4I FOR -L- PROFILE SEE SHEET 5I FOR -Y10- PROFILE

042597
R:\25 JAN 2004 10:48 P:\R2911A\20 UO14.DGN
J:\S\shelton_A\18512265