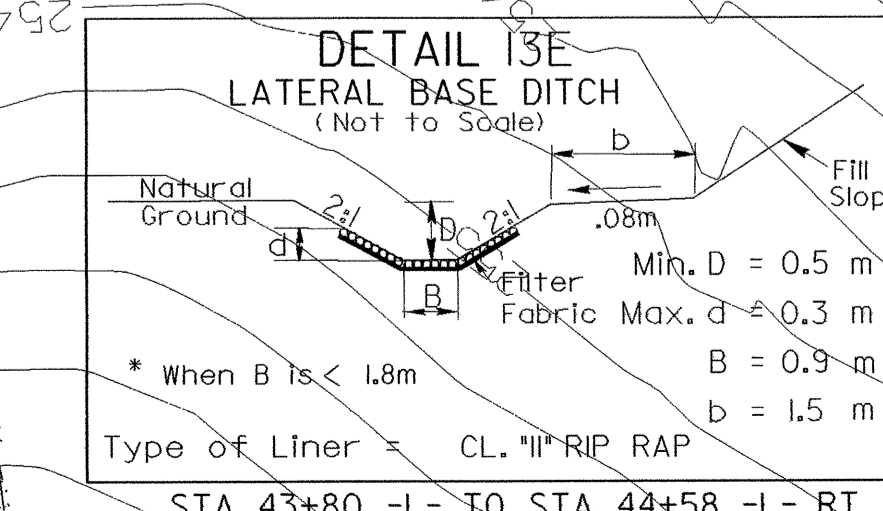
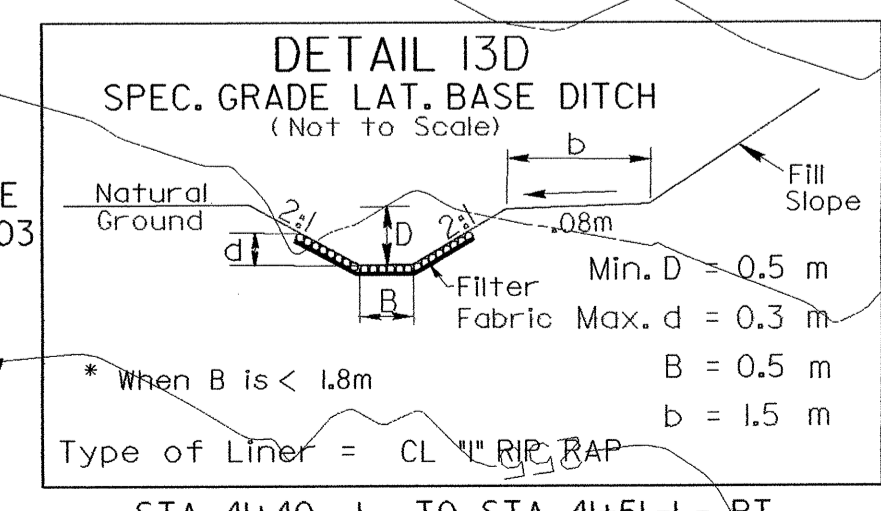
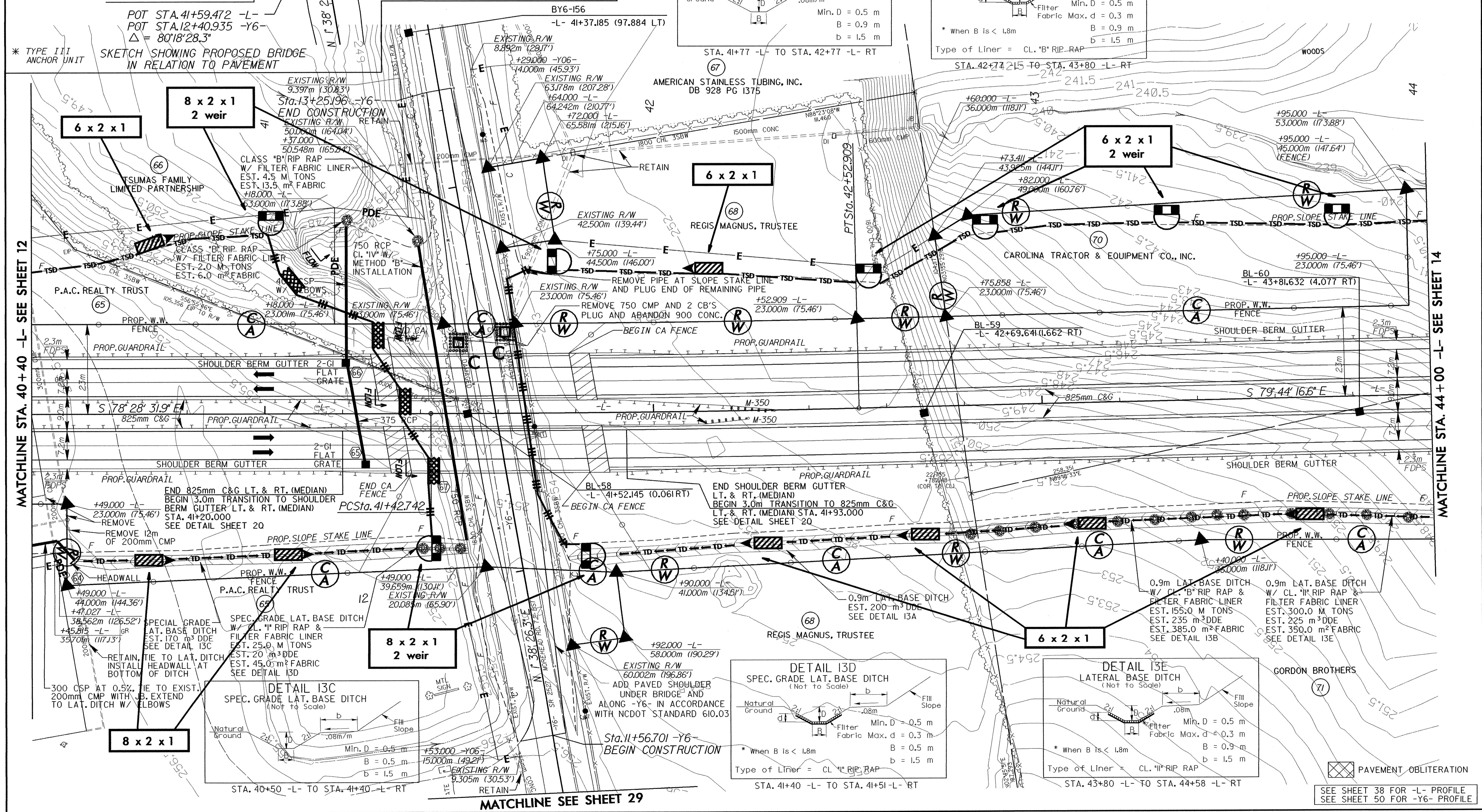
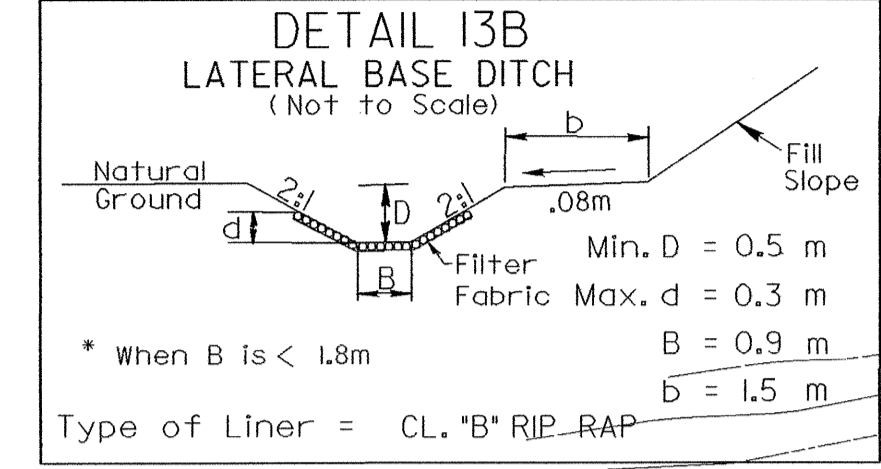
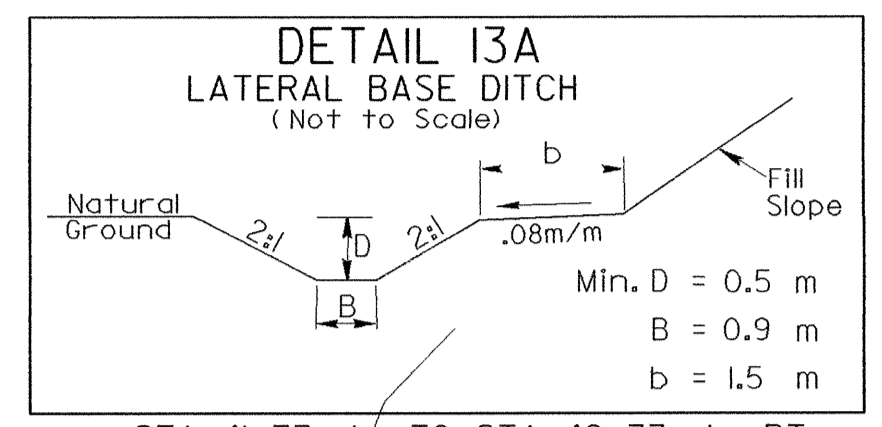
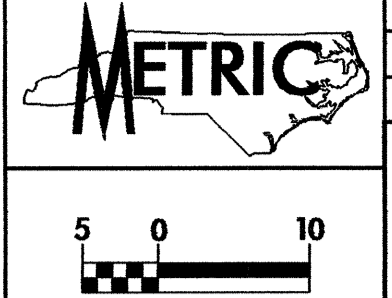


L  
 P.I. = 41+97.828  
 $\Delta = 1'15''44.7''$  LT.  
 T = 55.086 M  
 L = 110.167 M  
 R = 5000.000 M  
 SUPER = NC

NOTE: PLACE TEMPORARY ROCK SEDIMENT DAMS TYPE-B AND TEMPORARY ROCK SILT CHECKS TYPE-A AT DRAINAGE OUTLETS.

CLEARING AND GRUBBING EROSION CONTROL FOR CONSTRUCTION SHEET 13

PROJECT REFERENCE NO. R-2911A		SHEET NO. EC-13/CONST.13	
R/W SHEET NO.			
ROADWAY DESIGN ENGINEER		HYDRAULICS ENGINEER	
CONST. REV.		R/W REV.	



PAVEMENT OBLITERATION

SEE SHEET 38 FOR -L- PROFILE  
 SEE SHEET 50 FOR -Y6- PROFILE

MATCHLINE STA. 40+40 -L- SEE SHEET 12

MATCHLINE STA. 44+00 -L- SEE SHEET 14

MATCHLINE SEE SHEET 29