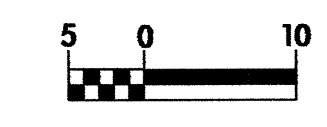


NOTE:
PLACE TEMPORARY ROCK SEDIMENT DAMS TYPE-B AND TEMPORARY ROCK SILT CHECKS TYPE-A AT DRAINAGE OUTLETS.

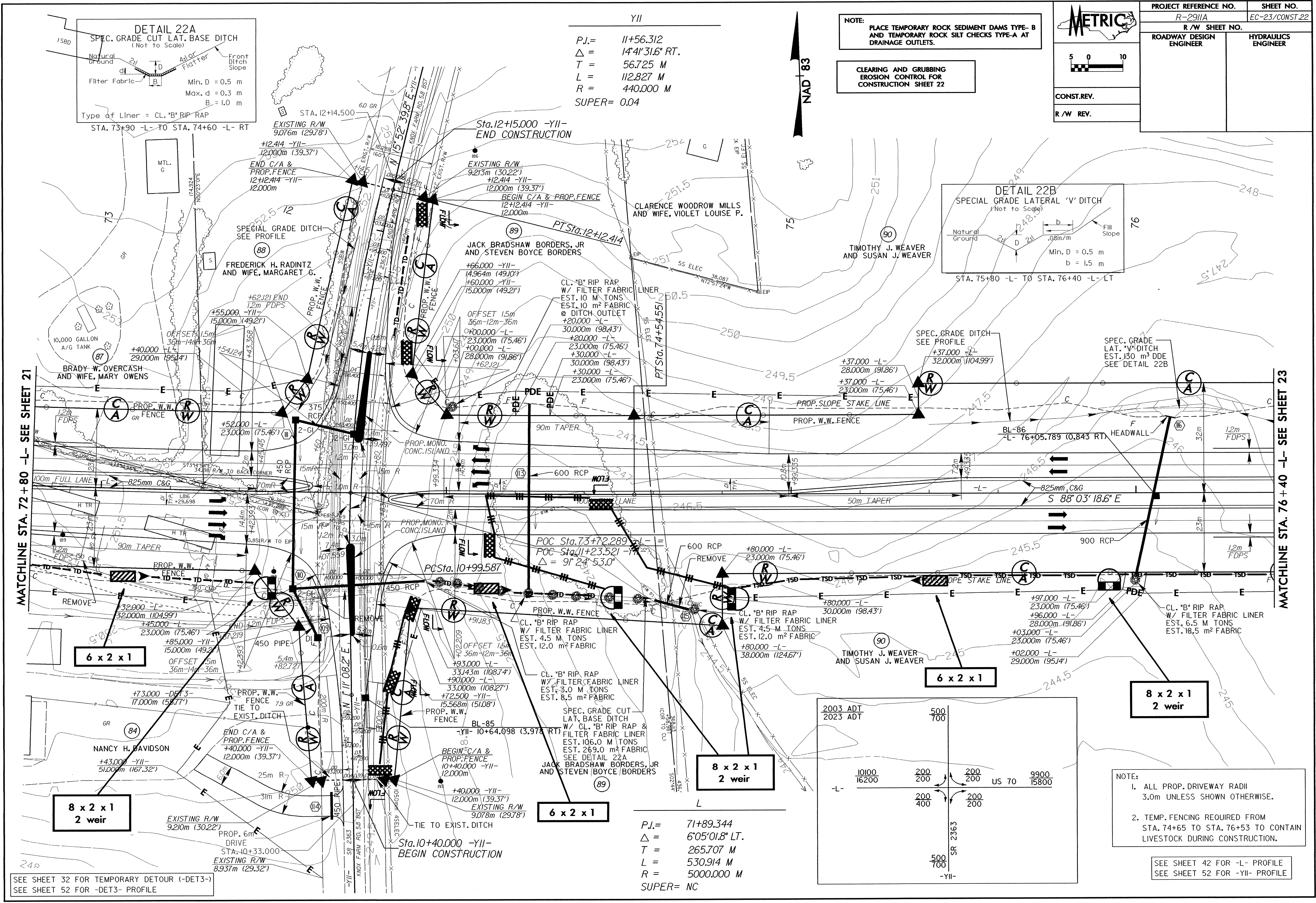
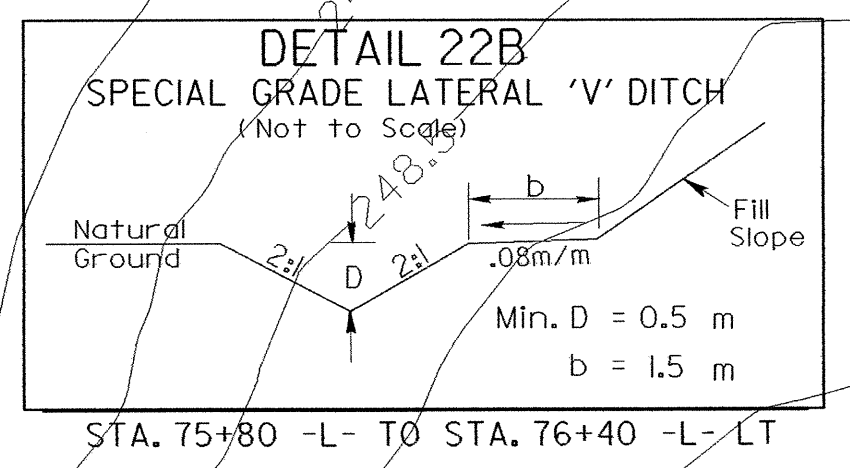
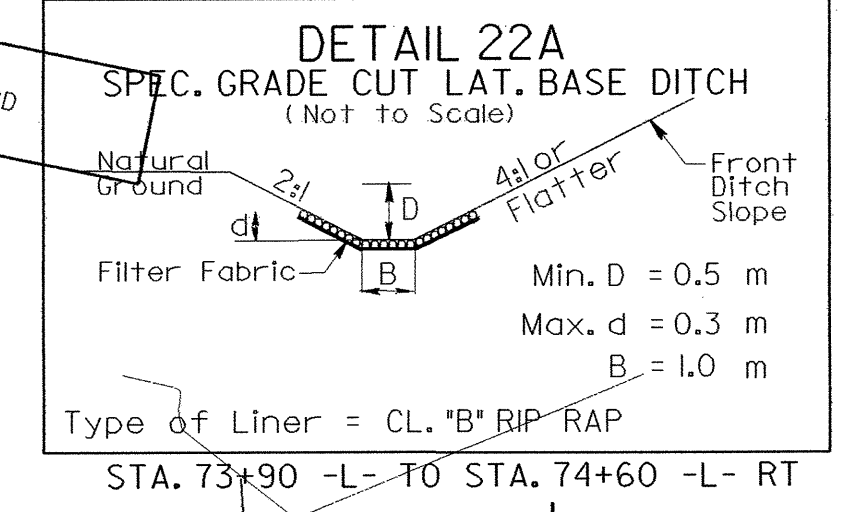
CLEARING AND GRUBBING EROSION CONTROL FOR CONSTRUCTION SHEET 22



Y11

PJ.= 11+56.312
 $\Delta = 14'41'31.6''$ RT.
 T = 56.725 M
 L = 112.827 M
 R = 440.000 M
 SUPER= 0.04

NAD 83

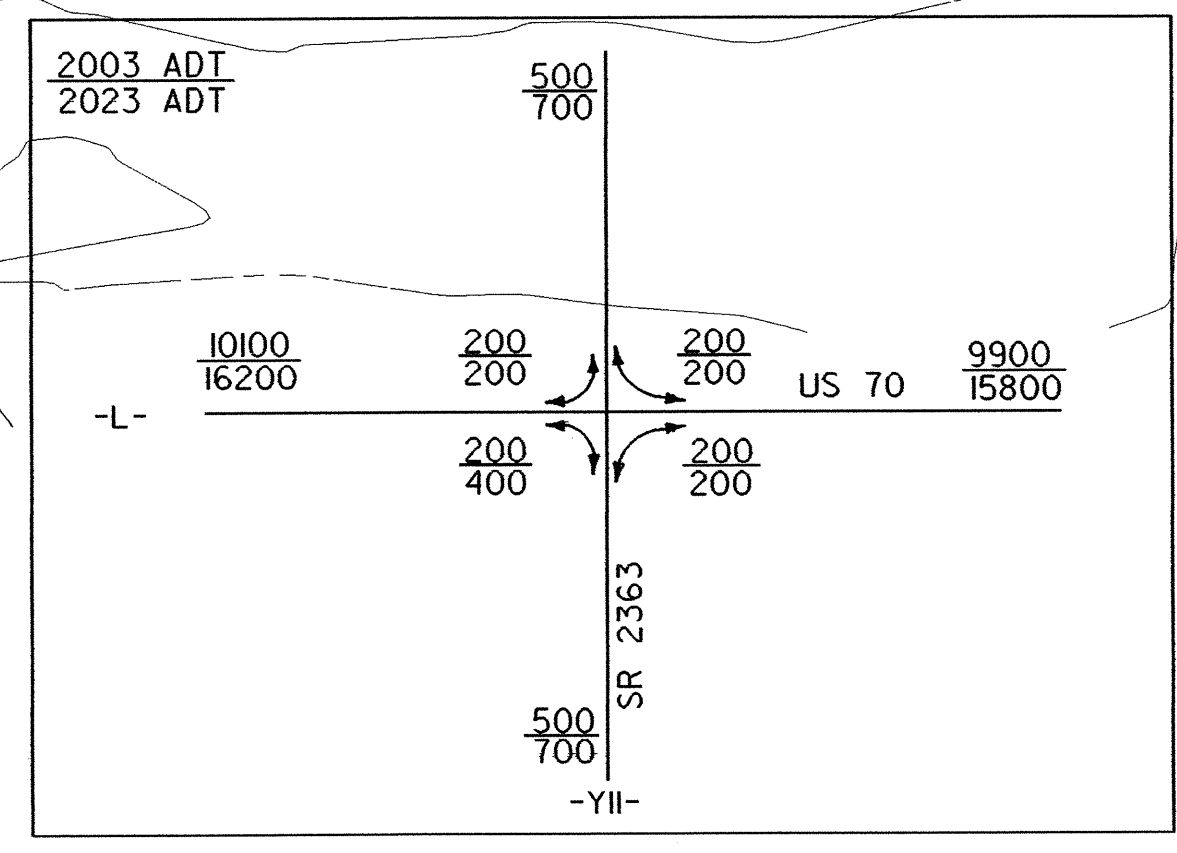


MATCHLINE STA. 72 + 80 -L- SEE SHEET 21

MATCHLINE STA. 76 + 40 -L- SEE SHEET 23

SEE SHEET 32 FOR TEMPORARY DETOUR (-DET3-)
 SEE SHEET 52 FOR -DET3- PROFILE

PJ.= 71+89.344
 $\Delta = 6'05'01.8''$ LT.
 T = 265.707 M
 L = 530.914 M
 R = 5000.000 M
 SUPER= NC



NOTE:
 1. ALL PROP. DRIVEWAY RADII 3.0m UNLESS SHOWN OTHERWISE.
 2. TEMP. FENCING REQUIRED FROM STA. 74+65 TO STA. 76+53 TO CONTAIN LIVESTOCK DURING CONSTRUCTION.

SEE SHEET 42 FOR -L- PROFILE
 SEE SHEET 52 FOR -Y11- PROFILE