

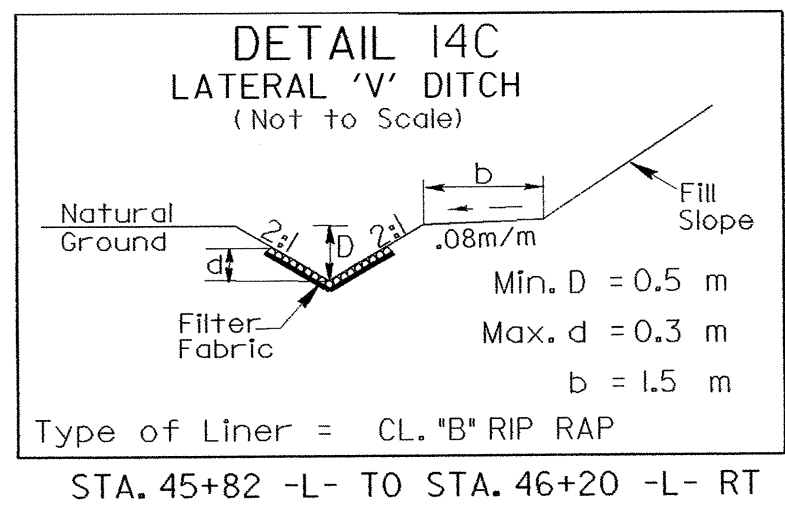
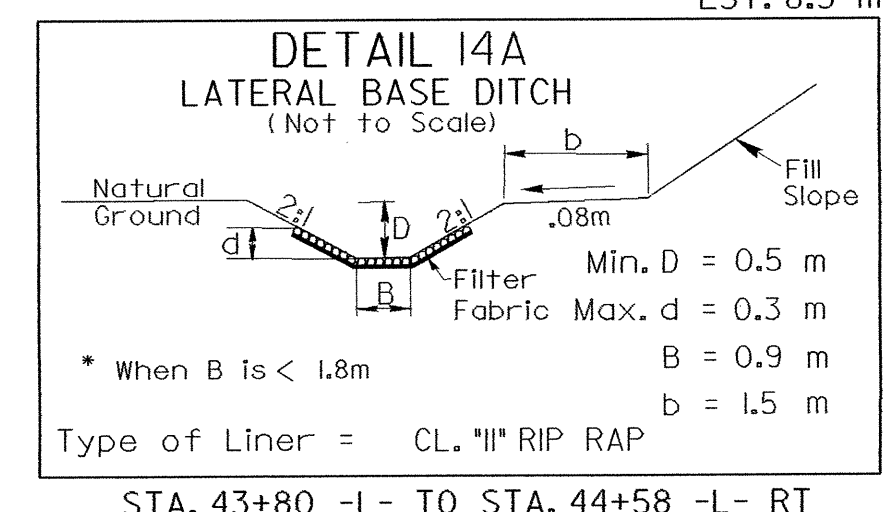
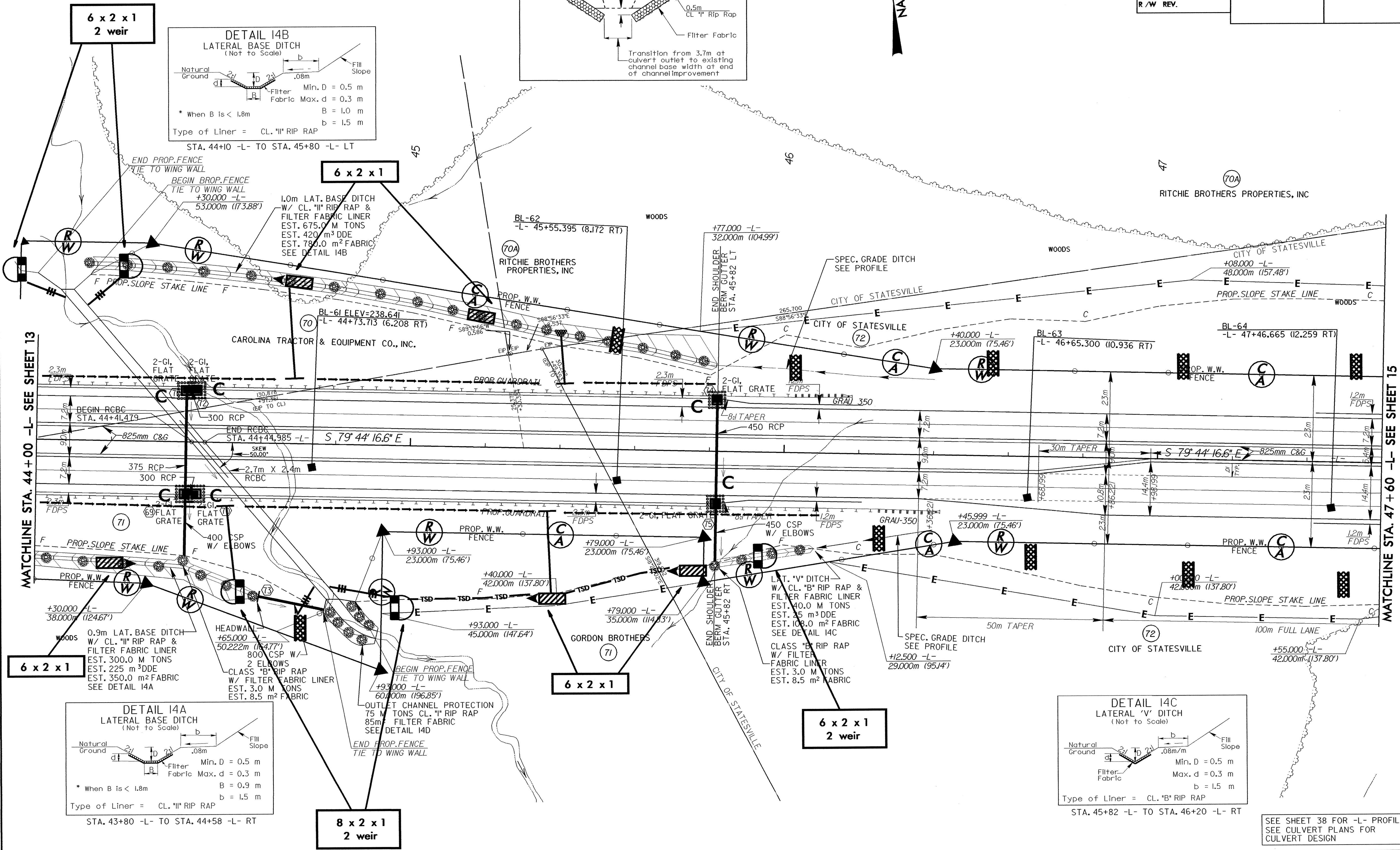
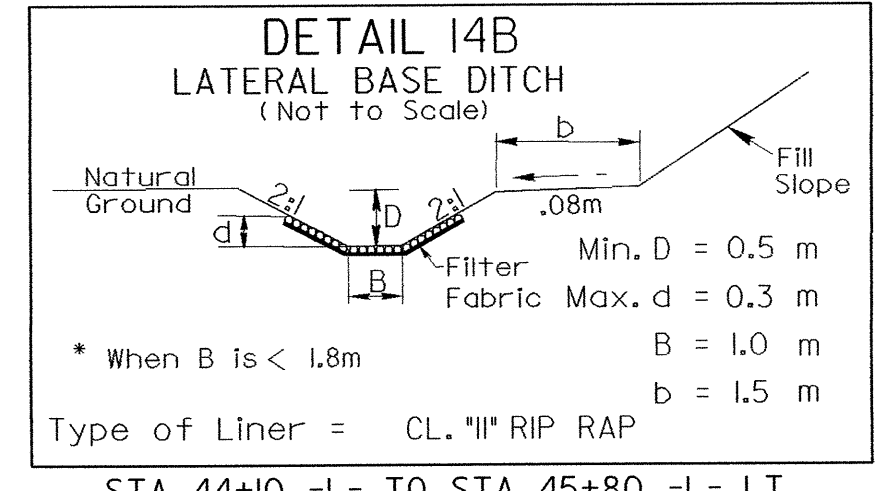
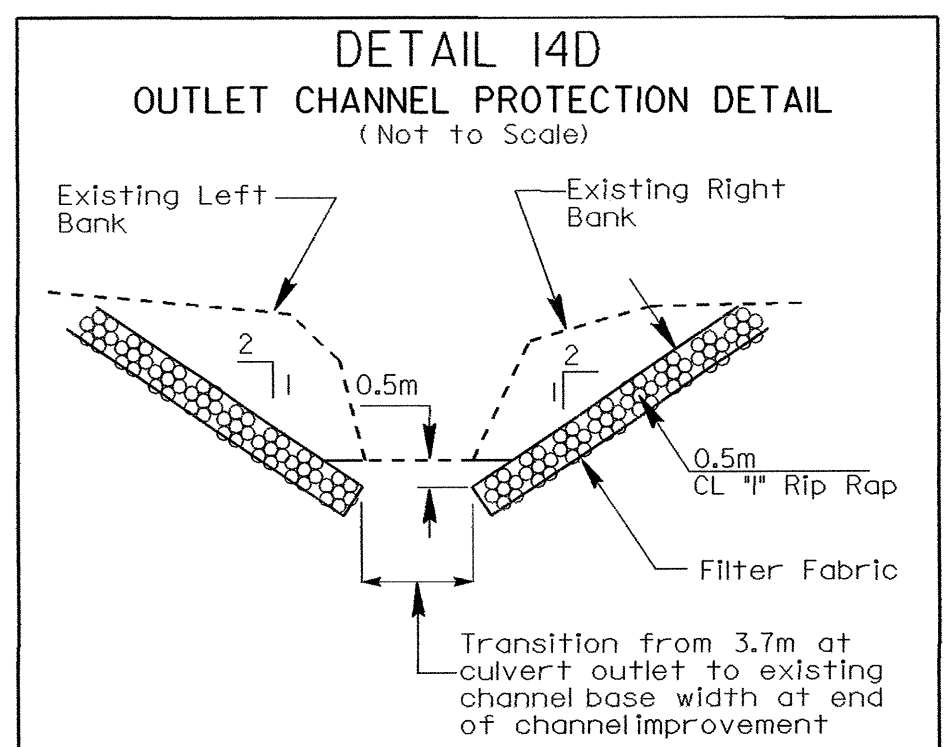
**METRIC**

5 0 10

CONST. REV.

R/W REV.

PROJECT REFERENCE NO. R-2911A	SHEET NO. EC-42/CONST.14
R/W SHEET NO.	
ROADWAY DESIGN ENGINEER	HYDRAULICS ENGINEER



SEE SHEET 38 FOR -L- PROFILE  
SEE CULVERT PLANS FOR  
CULVERT DESIGN