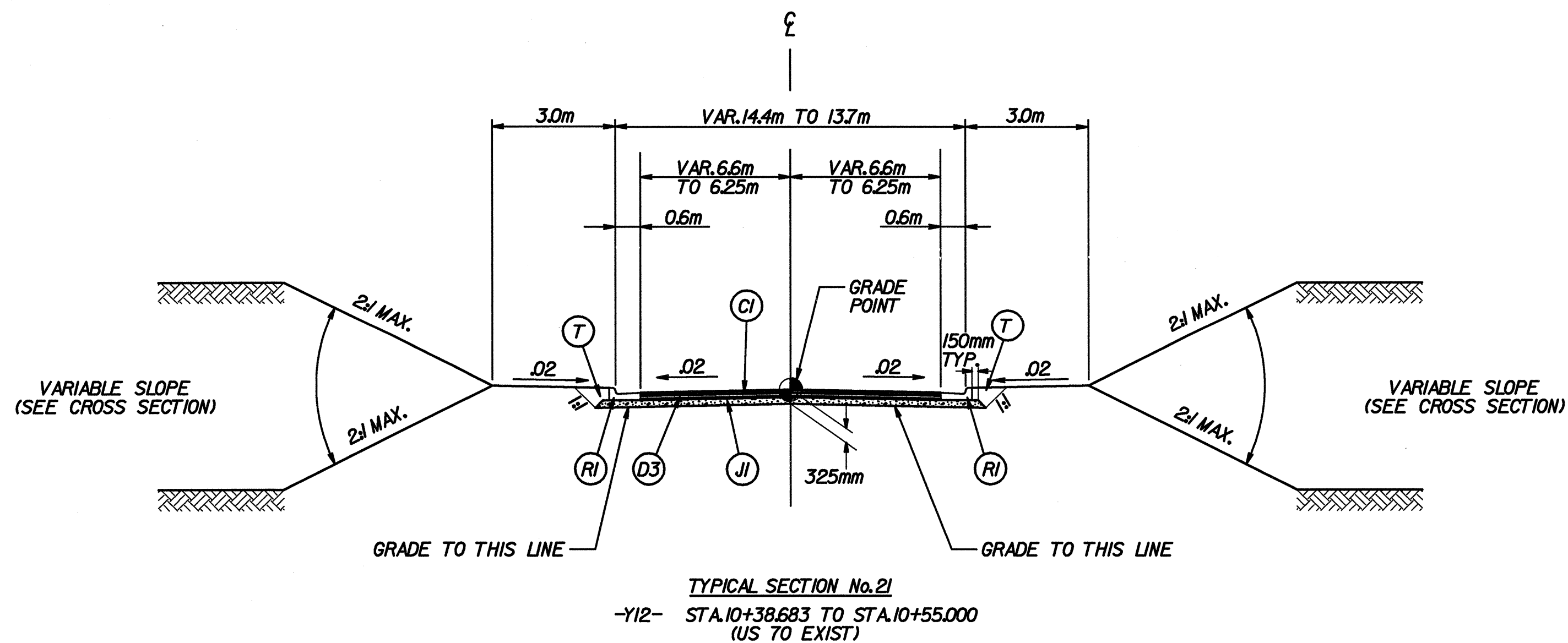


LINE	STREET NAME	STATION USAGE	DIMENSION 'A'	DIMENSION 'B'
-Y3A-	SR 2359 (BETHESDA RD.)	10+00.000 TO 10+20.000	VAR. 5.4m TO 6.2m	VARIES FROM 5.4m
-Y10-	SR 2362 (TRIPLETT RD.)	11+94.698 TO 12+75.988	VAR. 6.0m TO 10.8m	VARIES FROM 6.0m
-Y11-	SR 2363 (KNOX FARM RD.)	10+40.000 TO 10+87.219	VAR. 6.0m TO 13.2m	VARIES FROM 5.8m
-Y11-	SR 2363 (KNOX FARM RD.)	11+62.121 TO 12+15.000	VAR. 6.2m TO 11.4m	VARIES FROM 5.8m

USE IN CONJUNCTION WITH WEDGING DETAIL (SEE SHEET 2F)



PAVEMENT SCHEDULE

C1	70 mm, TYPE S9.5C
C2	30 mm, TYPE S9.5C
C3	VAR. DEPTH, TYPE S9.5C
D1	110 mm, TYPE I19.0C
D2	75 mm, TYPE I19.0C
D3	55 mm, TYPE I19.0C
D4	VAR. DEPTH, TYPE I19.0C
E1	75 mm, TYPE B25.0C
E2	250mm, TYPE B25.0C
E3	100 mm, TYPE B25.0C
E4	175 mm, TYPE B25.0C
E5	VAR. DEPTH, TYPE B25.0C
J1	200 mm AGGREGATE BASE COURSE
K	LIME / CEMENT STABILIZATION
R1	750 mm CONCRETE CURB AND GUTTER
R2	825 mm CONCRETE CURB AND GUTTER
R3	450 mm CONCRETE CURB AND GUTTER
T	EARTH MATERIAL
U	EXISTING PAVEMENT
V	MILL EXIST. PAVEMENT 60 mm WHERE WEDGING LESS THAN 90 mm AND REPLACE WITH 60 mm, TYPE I19.0C
W	VARIABLE DEPTH ASPHALT PAVEMENT

Note: Pavement Edge Slopes are 1:1 Unless Shown Otherwise

REVISIONS