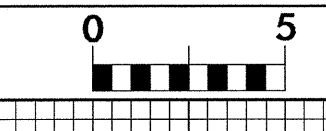
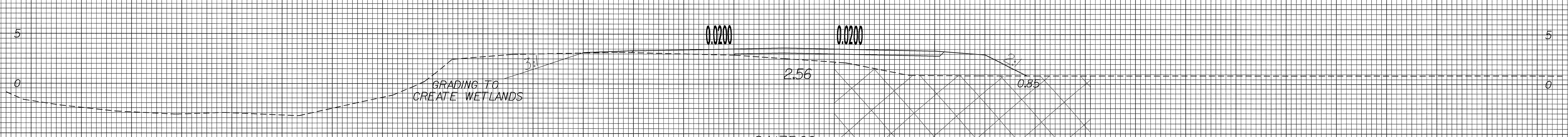
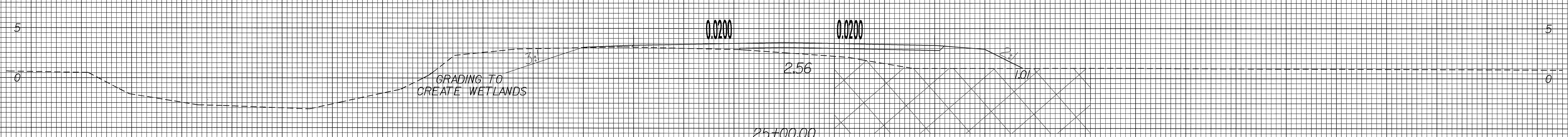
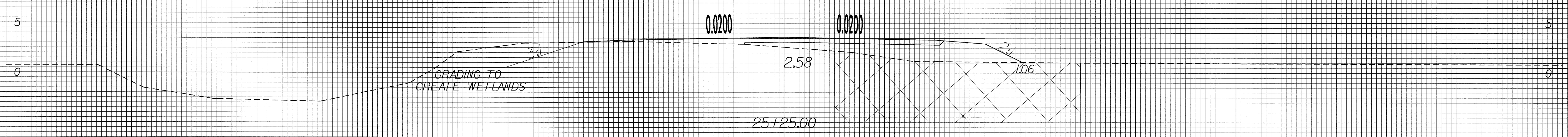
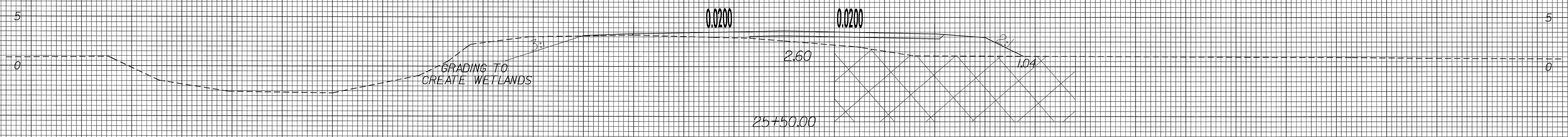


8/23/99



PROJ. REFERENCE NO. B-3348 SHEET NO. X-16

70 60 50 40 30 20 10 0 10 20 30 40 50 60 70



70 60 50 40 30 20 10 0 10 20 30 40 50 60 70

30-MAR-2004 07:06 JDGraham AT RD212398